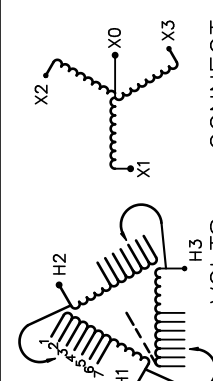





REVISION	DATE	BY	DATE	BY
		DRAWN	04/09/28	LR
		CHEK'D		
		VERIF'D		

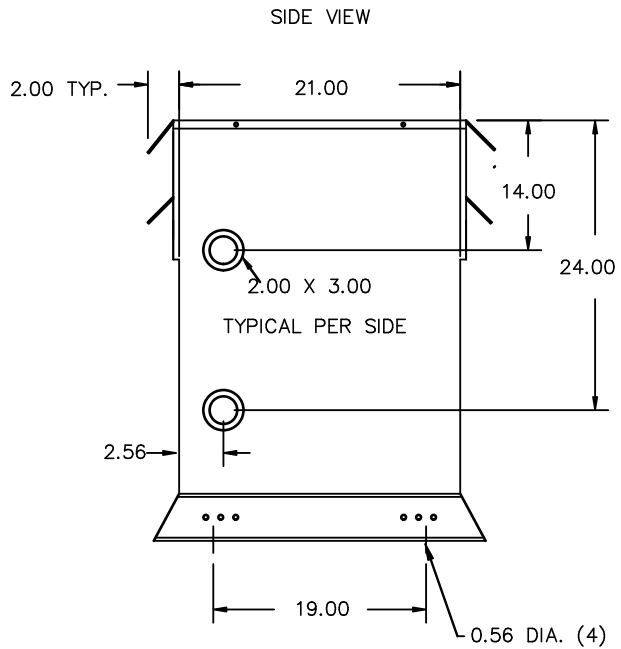
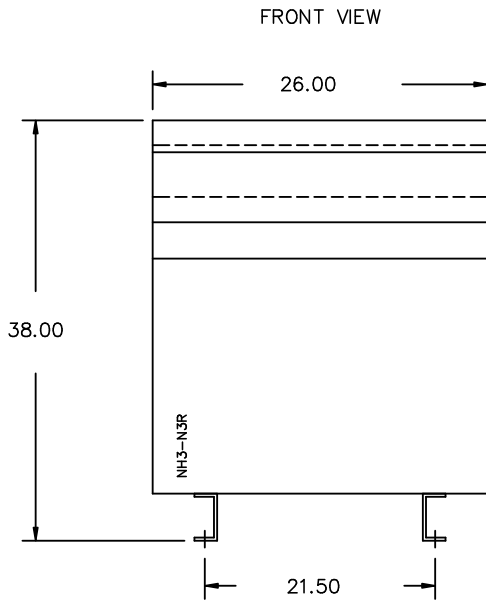
Confidential - Property of Siemens Industry, Inc. Building Technologies Division	
CUSTOMER	
ORDER NO.	DWG. NO.
	3F3Y075ESCTP1 SH 1 OF 2

SIEMENS

CATALOG NO. 3F3Y075ESCTP1 SERIAL NO. 75 kVA 60 Hz 3 PHASE 4.9 % IMP AT 170 °C 150 °C RISE °C AVG. AMBIENT 220 °C TEMP CLASS °C MAX. AMBIENT PRIMARY (H1 H2 H3) 480V V SECONDARY(X0 X1 X2 X3) 208Y/120V V WINDING MATERIAL CU ENCLOSURE TYPE NEMA-3R WEIGHT 700 LBS ENERGY EFFICIENCY NEMA TP 1-2002	 <p style="text-align: center;">VOLTS CONNECT</p> <p style="text-align: center;">504 1 492 2 480 3 468 4 456 5 444 6 432 7</p>	<div style="text-align: center;">  <p>UL LISTED</p> </div> <div style="text-align: center;"> <p>DRY TYPE TRANSFORMER 77U5 E112313</p>  <p>SP LR 3902</p> </div> <p style="text-align: center;">TYPE K</p>
SPACINGS BETWEEN ENCLOSURE AND ANY ADJACENT WALL SHALL BE A MINIMUM OF 6 INCHES ELECTROSTATIC SHIELD  <p style="text-align: center;">VERIFIED Energy Performance VERIFIE</p>		SUITABLE FOR INDOOR OR OUTDOOR LOCATIONS BEFORE HANDLING, INSTALLING AND OPERATING, SEE INSTRUCTION MANUAL NEMA Class ANN Dry Type Transformer Siemens Industry, Inc. Norcross, GA dsu0082e



3F3Y075ESCTP1



All Dimensions in inches

ENCLOSURE COLOR :ANSI 61 GREY – OUTDOOR

H.V.1. TERMINAL DETAIL

L.V.1. TERMINAL DETAIL

MECHANICAL TYPE LUGS INCLUDED
SUITABLE FOR #2/0-6 CU/AL
CONDUCTORS
1 CONDUCTOR PER PHASE

MECHANICAL TYPE LUGS INCLUDED
SUITABLE FOR 600MCM-2 CU/AL
CONDUCTORS
1 CONDUCTOR PER PHASE

CUSTOMER NOTES:

- HV1 TERMINATED AT TOP FRONT
- LV1 TERMINATED AT BOTTOM FRONT

Confidential – Property of
Siemens Industry, Inc.
Building Technologies Division

REVISION	DATE	BY	DATE	BY
		DRAWN	04/09/28	LR
		CHEK'D		
		VERIF'D		

CUSTOMER	
ORDER NO.	DWG. NO. 3F3Y075ESCTP1
SH 2 OF 2	

0.2 jwen 2010/01/21 14:10