



	U.S. Cat. No.	Euro Order No.
Item:	RHSFA1F	3VL93002AK11
	RHSFA2F	3VL93002AK21
	RHSLA1F	3VL94002AK11
	RHSLA2F	3VL94002AK21

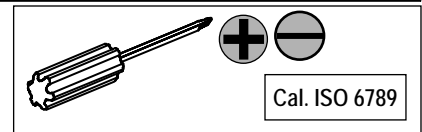
Aux Switch For Through Door Mounted Rotary Handle Operator
 Interruptor Auxiliar Para Juego de Operador Giratorio Montado a Través de la Puerta.
 Intervertir L'associé Pour Par la Porte Kit Rotatoire Monté d'Opérateur d'Poignée.

For Use With Through Door Mounted Rotary Handle Operator
 Para Usar Con Juego de Operador Giratorio Montado a Través de la Puerta

Installation Instructions / Instructivo de Instalación

	 Danger	 Peligro	 Danger
	Hazardous Voltage. Will cause death or serious injury. Turn off and lock out all power supplying this device before working on this device. Replace all covers before power supplying this device is turned on.	Tensión peligrosa. Puede causar la muerte o lesiones graves. Desenergice totalmente antes de instalar o darle servicio. Reemplace todas las barreras y cubiertas antes de energizar el interruptor.	Tension dangereuse. Danger de mort ou risque de blessures graves. Couper l'alimentation de l'appareil et barrer avant de travailler. Remplacez tous les couverts avant que l'alimentation de pouvoir soit alimenté.

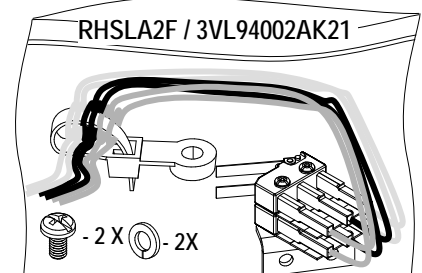
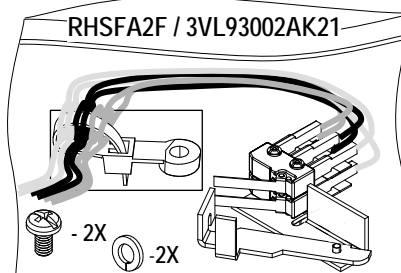
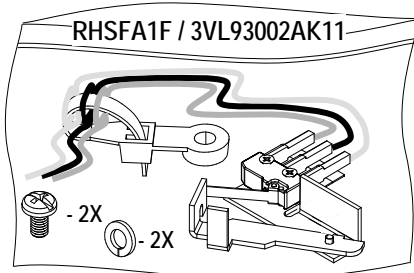
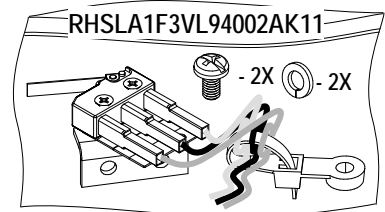
Use only with Siemens certified Components.
 Utilizar únicamente con componentes certificados de Siemens.
 A utiliser uniquement avec les composants certifiés Siemens.



NOTE - These instructions do not purport to cover all details or variations in equipment, or to provide for every possible contingency to be met in connection with installation, operation or maintenance. Should further information be desired or should particular problems arise, which are not covered sufficiently for the purchaser's purposes, the matter should be referred to the local Siemens sales office. The contents of this instruction manual shall not become part of or modify any prior or existing agreement, commitment or relationship. The sales contract contains the entire obligation of Siemens. The warranty contained in the contract between the parties is the sole warranty of Siemens. Any statements contained herein do not create new warranties or modify the existing warranty.

Trademarks - Unless otherwise noted, all names identified by ® are registered trademarks of Siemens AG or Siemens Industry, Inc. The remaining trademarks in this publication may be trademarks whose use by third parties for their own purposes could violate the rights of the owner.

10A, 125 / 250 VAC; 1/4 HP, 125 VAC Switch Manufacturer's Contact Ratings at Direct Voltage [Intensidad de contacto a voltaje directo por el fabricante] Minimum Contact Load is 100mA @ 12VAC/DC [Mínimo Contacto de Carga es 100mA @ 12VAC/DC]		
Switch Voltage [Voltaje del interruptor]	Switch Current Resistive Load [Carga del interruptor de corriente resistiva]	Inductive Load L / R = 3ms [Carga de inducción L/R= 3ms]
12V	10A	10A
24V	5A	5A
110V	0.5A	0.5A
220V	0.25A	0.25A



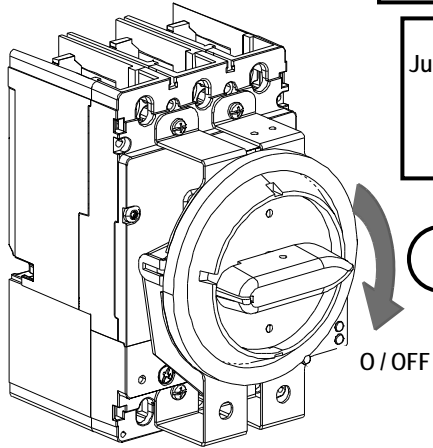
RHSFA1F / 3VL93002AK11
RHSFA2F / 3VL93002AK21

DG, FG

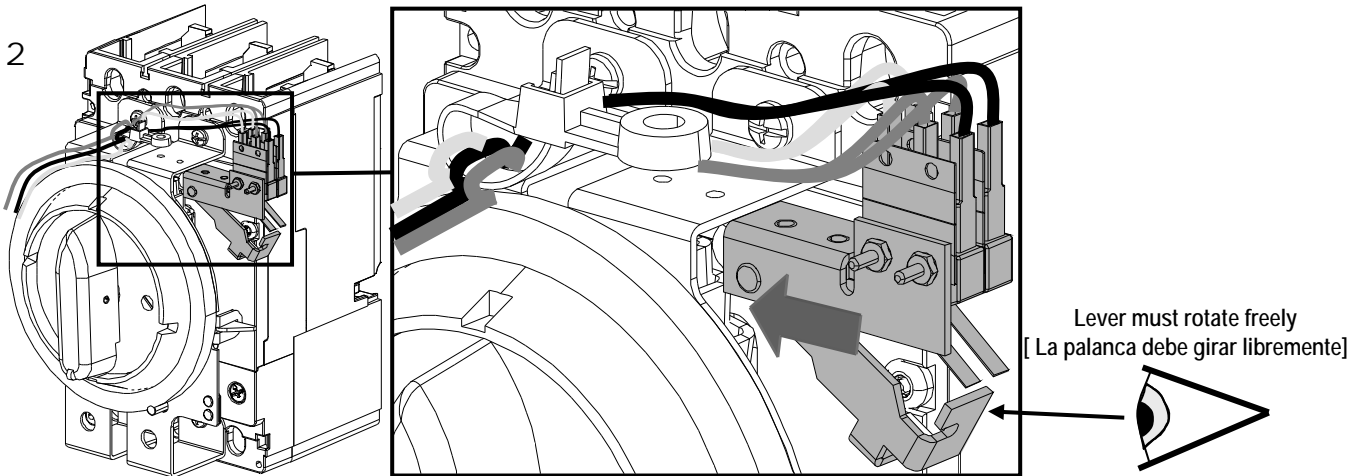
Through Door Mounted Rotary Handle Operator Kit
Juego de Operador Giratorio Montado a Través de la Puerta

RHFF / 3VL93003JA01
RHFFEM / 3VL93003JB01

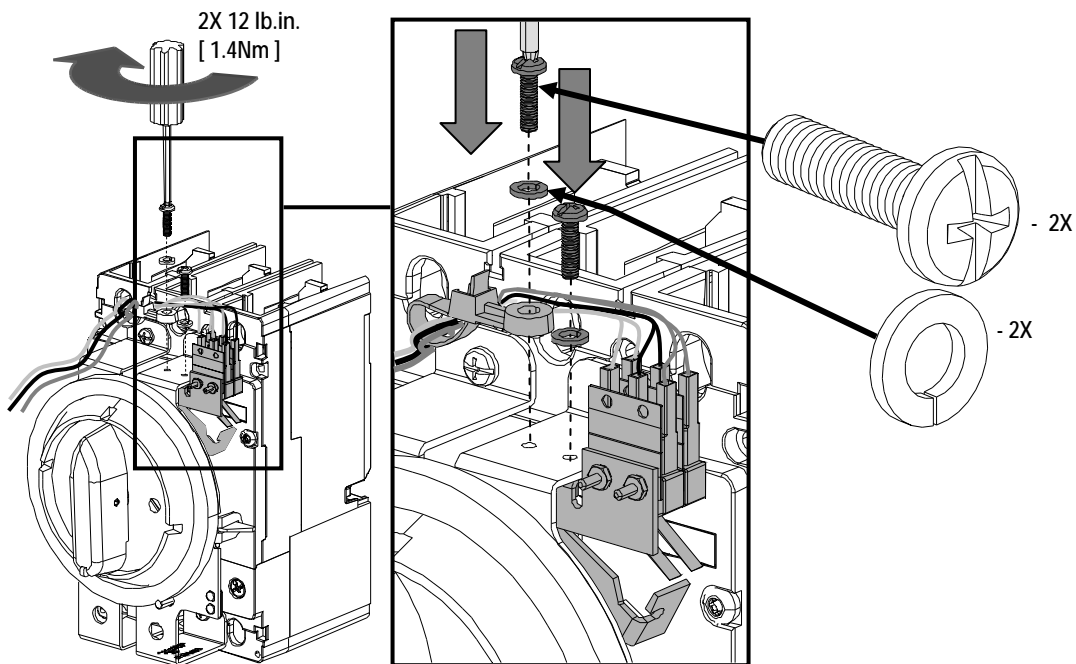
1



2



3





Danger

Hazardous Voltage.
Will cause death or serious injury.
Turn off and lock out all power supplying this device before working on this device.
Replace all covers before power supplying this device is turned on.

Peligro

Tensión peligrosa.
Puede causar la muerte o lesiones graves.
Desenergice totalmente antes de instalar o darle servicio.
Reemplace todas las baterías y cubiertas antes de energizar el interruptor.

Danger

Tension dangereuse.
Danger de mort ou risque de blessures graves.
Couper l'alimentation de l'appareil et barrer avant de travailler.
Remplacez tous les couverts avant que l'alprovisionnement de pouvoir soit alimenté.

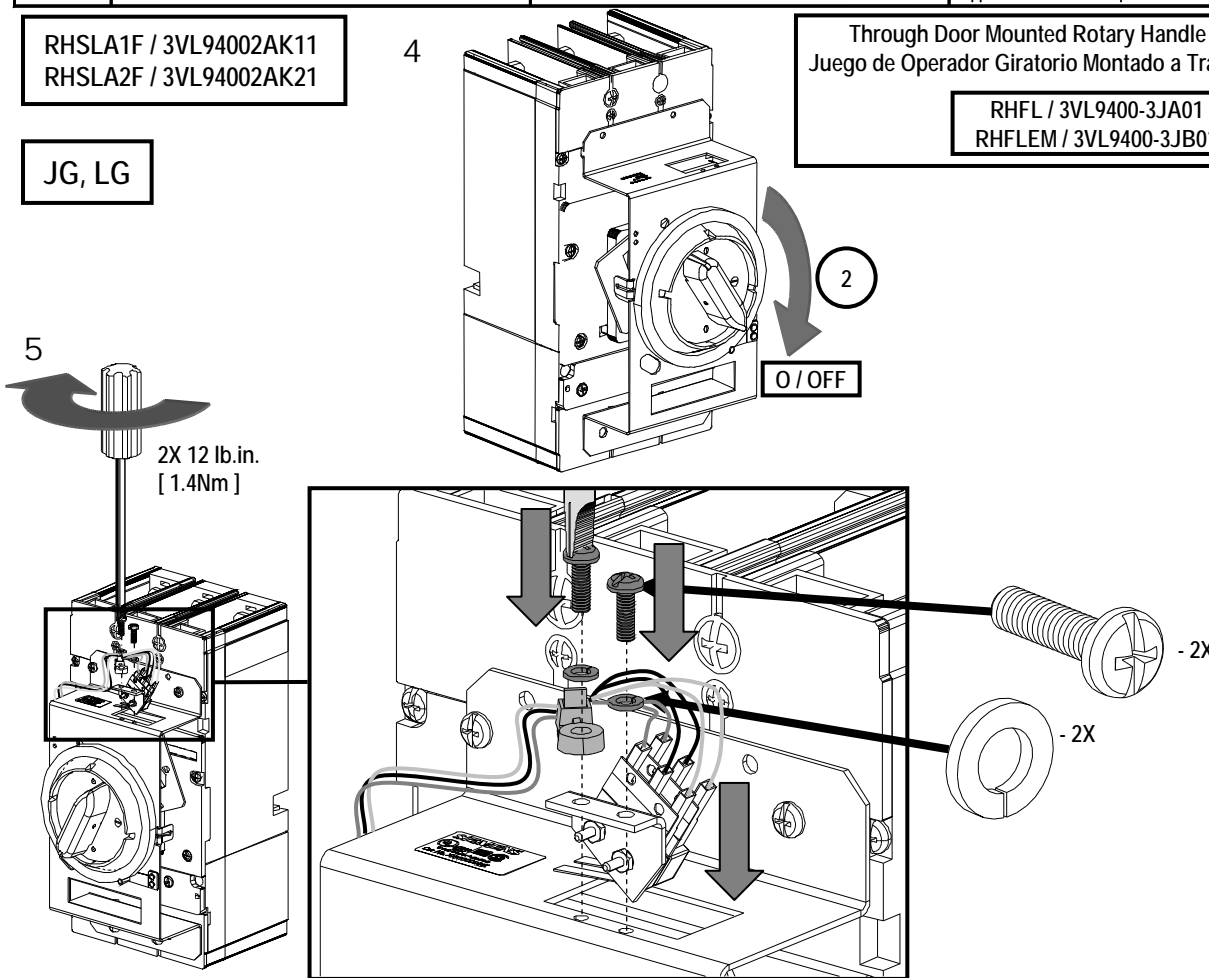
RHSLA1F / 3VL94002AK11
RHSLA2F / 3VL94002AK21

JG, LG

4

Through Door Mounted Rotary Handle Operator Kit
Juego de Operador Giratorio Montado a Través de la Puerta

RHFL / 3VL9400-3JA01
RHFLEM / 3VL9400-3JB01



Test:
[Prueba:]

		Red [Rojo] NC White [Blanco] C	Black [Negro] NO White [Blanco] C	Result [Resultado]	
ON / I		O	I		Finished / Ready [Terminado / Listo]
ON / I		O	I		Call Technical Support [Lamar a Soporte Técnico]
OFF / O		I	O		Finished / Ready [Terminado / Listo]
OFF / O		I	O		Call Technical Support [Lamar a Soporte Técnico]

For Support in Europe refer to :

Bestell-Nr. / Order No.: 3ZX1012-0VL68-8DA1 Internet: www.siemens.de/lowvoltage/technical-assistance GWA 4NEB 1796830-10 DS 02

Technical Support: Toll Free: 1-800-241-4453 Internet: www.usa.siemens.com/powerdistribution