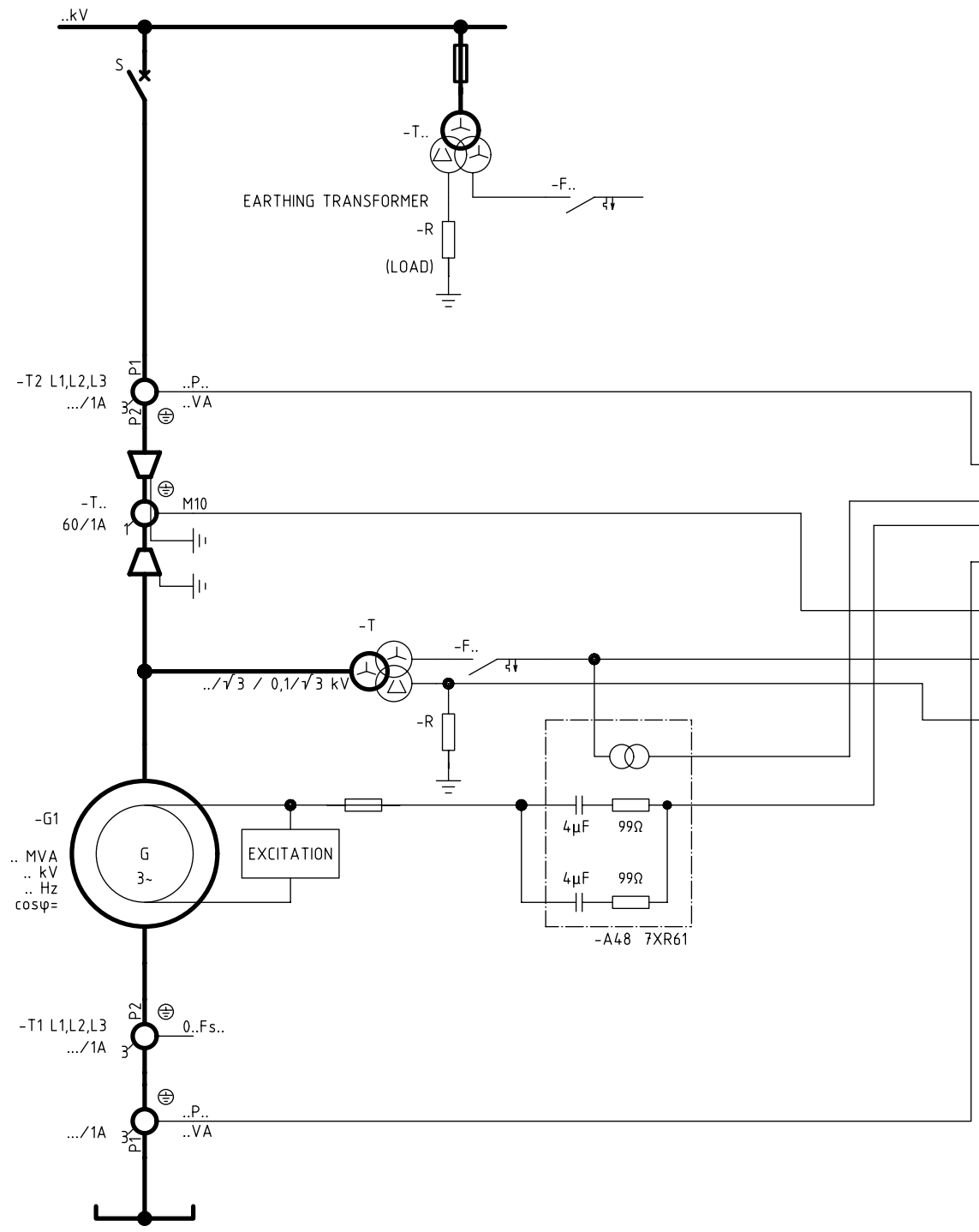


Archiv: SIPROTEC / YU / 7UM62 / 023 /
Blank form: FB51P_R1
Date of print: 14.11.2002
Time of print: 11:26 h
File-No.: 000104

Copyright (C) Siemens AG 2002 All Rights Reserved

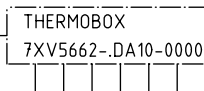
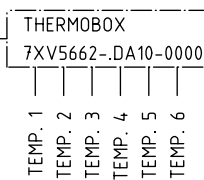
Project: angebbas
SYMBOL LIBRARY 1: EVSBasis
SYMBOL LIBRARY 2: xxxxx
SYMBOL LIBRARY 3: xxxxx
SYMBOL LIBRARY 4: xxxxx

ELCAD-VERSION: 5.7x
TRANSLATE FILE A:xxxxx
TRANSLATE FILE B:xxxxx
TRANSLATE FILE C:EVSBasFB.ce
TRANSLATE FILE D:EVSBasGT.de



- R1 GEN CB
- R2 RAPID SHUT DOWN
- R3 EXCITATION
- R4 SPARE
- PDP SIGNALLINGS

-F11 7UM621-A (Basic)	
L1	GEN DIFF 87
L2	DIRECTIONAL STATOR E/F 67G
L3	EARTH FAULT Ue> 59N
EE1	ROTOR E/F (with Ie>) 64R
L1	UNDERFREQUENCY 81
L2	OVERFREQUENCY 81
L3	OVERVOLTAGE 59
EE2	OVERCURRENT I>+U< 51
L1	OVERCURRENT I>> 50/51
L2	OVERLOAD 49
L3	REVERSE PWR 32R
U	UNDEREXC 40
Ue	UNBALANCED LOAD 46
TD1	
TD2	
TD3	
Port C(D)	



-F11
7UM621

	R1	R2	R3	R4	PDP	LED No.	ANSI No.
GEN DIFF	●	●	●	●	●	1	87
DIRECTIONAL STATOR E/F	●	●	●	●	●	2	67G
EARTH FAULT Ue>	●	●	●	●	●	3	59N
ROTOR E/F (with Ie>)	●	●	●	●	●	4	64R
UNDERFREQUENCY f1< GEN CB ON	●	●	●	●	●	5	81
OVERFREQUENCY	●	●	●	●	●	6	81
OVERVOLTAGE	●	●	●	●	●	7	59
OVERCURRENT I>+U<	●	●	●	●	●	8	50/51
OVERCURRENT I>>	●	●	●	●	●		
OVERLOAD	●	●	●	●	●	9	49
REVERSE PWR	●	●	●	●	●	10	32R
UNDEREXC	●	●	●	●	●	11	40
UNBALANCED LOAD WARNING	●	●	●	●	●	12	46
UNBALANCED LOAD TRIP	●	●	●	●	●		
EXTERNAL TRIP	●	●	●	●	●	13	
EXTERNAL TRIP	●	●	●	●	●		

7UM62_MV_4.pdf

Date	02-10-24	SIPROTEC 4	GENERATOR PROTECTION	YU	SIPROTEC	023
Drawn	Donhauser	Busbar connected Generator with Earthing Transformer	Siemens AG	U3241-P-U324-.....	7UM62	
Appr.	N.Mueller					
Rev.	Remarks	Date	Name	Norm	Dr.Herrmann	Orig./Repl.f./Repl.by
1						
				Single line diagram		
				(3)E50414-L0...-S100		Sheet 1- 1 Sh