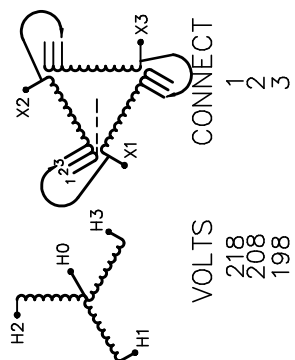




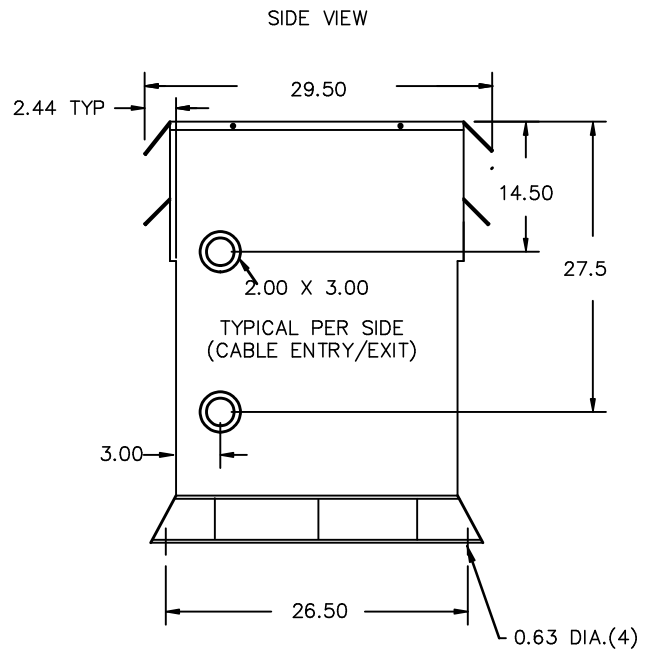
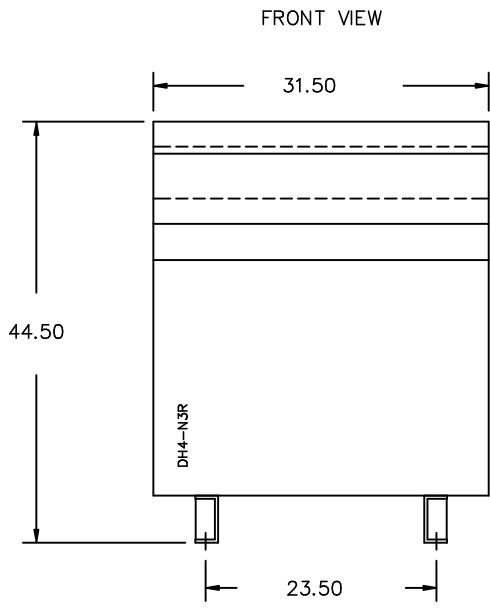
REVISION	DATE	BY	DATE	BY
		DRAWN	17/10/20	RM
		CHEK'D		
NOTE	ADDED FOR TURN RATIO ERROR/12/04	RM	VERIF'D	

Siemens Industry, Inc.		
CUSTOMER	ORDER NO.	DWG. NO.
		3B5S225CD16
		SH 1 OF 3

SIEMENS

CATALOG NO. 3B5S225CD16 SERIAL NO. 225 kVA 60 Hz 3 PHASE 4.2 % IMP AT 170 °C	SERIES H 3 PHASE 150 °C RISE 30 °C AVG. AMBIENT 220 °C TEMP CLASS 40 °C MAX. AMBIENT PRIMARY (X1 X2 X3) 208 V 10 kV BIL SECONDARY(H0 H1 H2 H3) 480Y/277 V 10 kV BIL	 <p>VOLTS 218 208 198</p> <p>CONNECT 1 2 3</p>
WINDING MATERIAL CU ENCLOSURE TYPE 3R WEIGHT 1450 LBS ENERGY EFFICIENCY C802.2-2012 DOE 10 CFR PART 431:2016		TYPE K  LISTED  LR 3902 DRY TYPE TRANSFORMER E112313 SEISMIC QUALIFICATIONS, FLOOR MOUNT ONLY OSP-0136-10 IBC 2012/ASCE 7-10 SDS<=2.0g Z/h=1 Ip=1.5
SPACINGS BETWEEN ANY VENTILATED ENCLOSURE PANEL AND ANY ADJACENT WALL SHALL BE A MINIMUM OF 5 INCHES EXCEPT WHEN WALL MOUNTED USING APPROVED WALL MOUNTING KIT * MAX TURN RATIO ERROR 0.9% AT NOMINAL TAP TRANSFORMER SUITABLE FOR STEP UP OPERATION ONLY SUITABLE FOR INDOOR OR OUTDOOR LOCATIONS BEFORE HANDLING, INSTALLING AND OPERATING, SEE INSTRUCTION MANUAL NEMA Class ANN Dry Type Transformer Siemens Industry, Inc. Norcross, GA dsu0086e1		





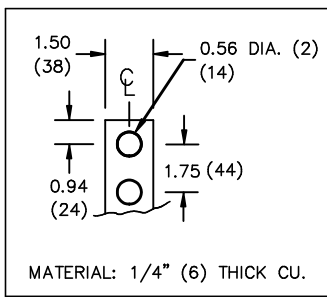
All Dimensions in inches

ENCLOSURE COLOR :ANSI 61 GREY – OUTDOOR

H.V.1. TERMINAL DETAIL

L.V.1. TERMINAL DETAIL

MECHANICAL TYPE LUGS INCLUDED
SUITABLE FOR 600MCM-2 CU/AL
CONDUCTORS
1 CONDUCTOR PER PHASE



CUSTOMER NOTES:

- HV1 TERMINATED AT BOTTOM FRONT
- LV1 TERMINATED AT TOP FRONT

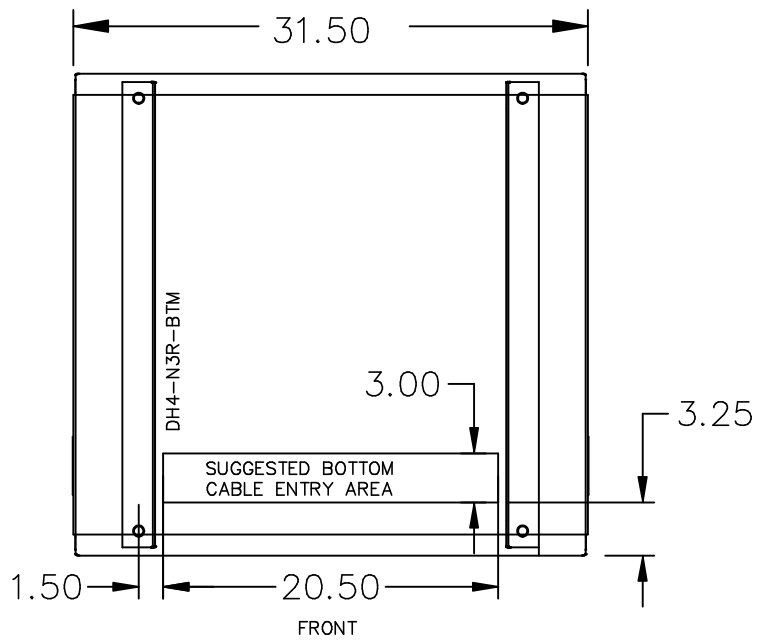
Siemens Industry, Inc.

REVISION	DATE	BY	DATE	BY
			17/10/20	RM
NOTE	ADDED FOR TURN RATIO ERROR	12/04	RM	VERIF'D

CUSTOMER		
ORDER NO.	DWG. NO.	1
	3B5S225CD16	SH 2 OF 3

1.0 rmoova 2017/12/04 10:51

ENCLOSURE BOTTOM VIEW



NOTE:
 WHEN BOTTOM CABLE ENTRY IS OPTED, THE SPACE USED FOR CONDUITS IN THE FRONT OF THE TRANSFORMER SHOULD NOT OBSTRUCT MORE THAN 50% OF THE FRONT AIR INTAKE AREA DEFINED BETWEEN THE BOTTOM PLATE AND THE SUPPORTING LEGS.
 SEE MANUAL FOR ADDITIONAL INFORMATION

Siemens Industry, Inc.

REVISION	DATE	BY	DATE	BY	CUSTOMER		
			17/10/20	RM			
			CHEK'D				
NOTE	ADDED FOR TURN RATIO ERROR	12/04	RM	VERIF'D			
					ORDER NO.	DWG. NO.	1
					3B5S225CD16		SH 3 OF 3