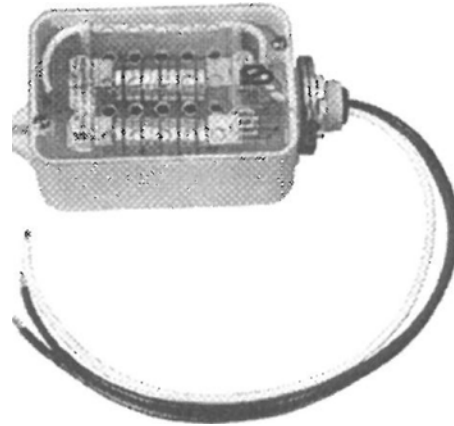
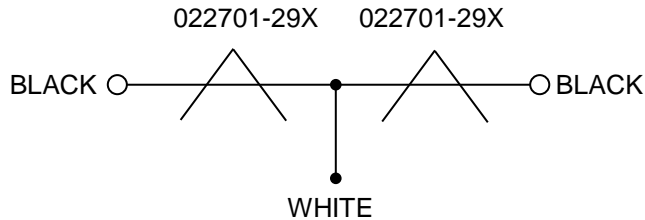


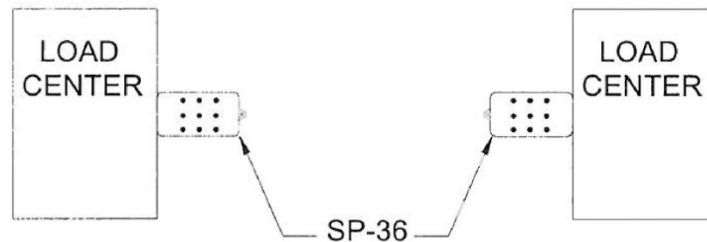
### INTRODUCTION

The SP-36 is a secondary surge protector designed to be mounted on a load center at the power service entrance. It offers power-line protectors and is easily wired into existing systems. It has no exposed terminals.

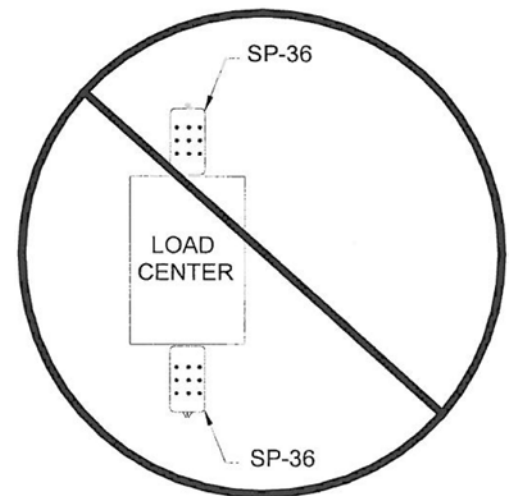


### INSTALLATION

The SP-36 must be mounted horizontally as shown.



- Never mount the SP-36 vertically. The arrestors may not "clear" properly if mounted in the vertical position.
- The SP-36 should never be mounted with the vent holes obstructed.
- This unit is only for use in areas protected from the weather, such as inside a bungalow or equipment case.
- Never install on the "line" side of a branch breaker on a load center.



## PROCEDURES

### WARNING

**HIGH VOLTAGES ARE PRESENT. TURN OFF POWER BEFORE INSTALLATION OR SERVICING.**

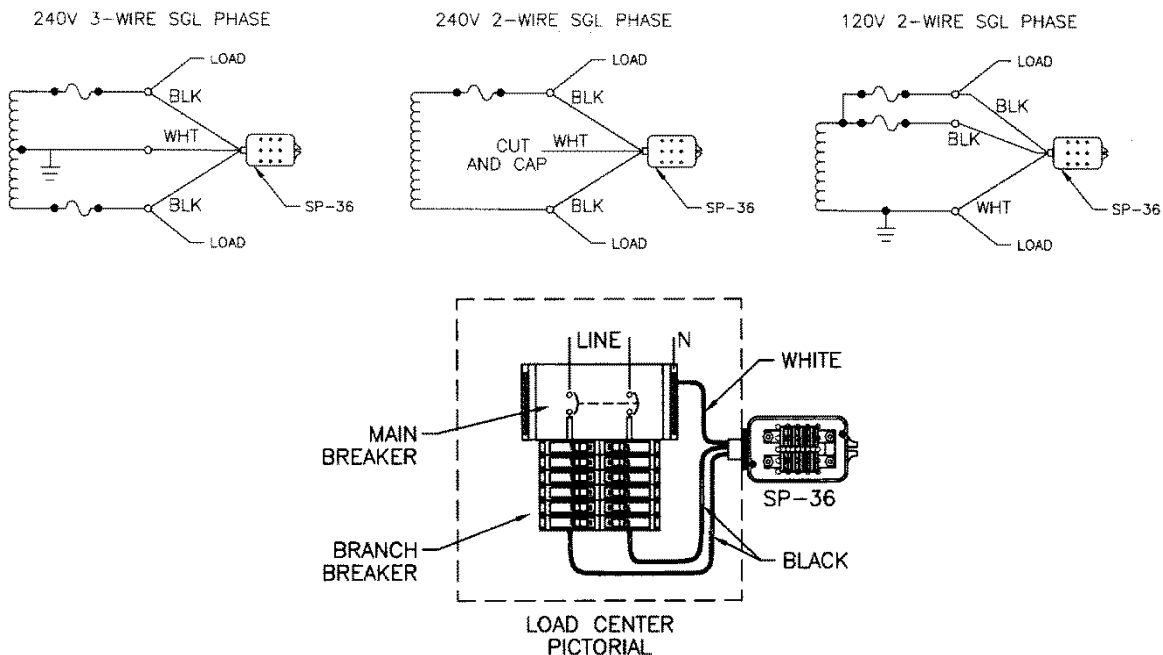
The use of temporary ground during installation and maintenance is recommended.

- 1) Install one washer over the threads at the end of the SP-36 housing. Push the washer up against the housing.
- 2) Choose a knockout in the load center that is a distance from the backboard that will allow the back of the SP-36 to lay flat against the backboard.
- 3) Install the second washer on the threads at the end of the SP-36 housing from inside the load center. Install the lock nut so that it loosely holds the SP-36 in place.
- 4) Use the wood screw provided to secure the SP-36 mounting tab to the backboard.
- 5) Tighten the lock nut installed in step 3 for a snug fit.

Cut the wires on the SP-36 to the minimum usable length. Do not coil the wires as this greatly reduces SP-36 performance. Also, avoid kinks and sharp bends in the wiring.

- 7) Connect the wires to the load center, observing the proper hook-up scheme.
- 8) The wires must be connected so that there is a fuse or circuit breaker between the SP-36 and the power service line.

## HOOK UP SCHEMES



## MAINTENANCE

The SP-36 requires no regular maintenance. Over time, with repeated surges, the power-line protectors inside will become damaged. They can be inspected visually through the clear plastic housing and, if blackened or burned, should be replaced as described below.

### CAUTION

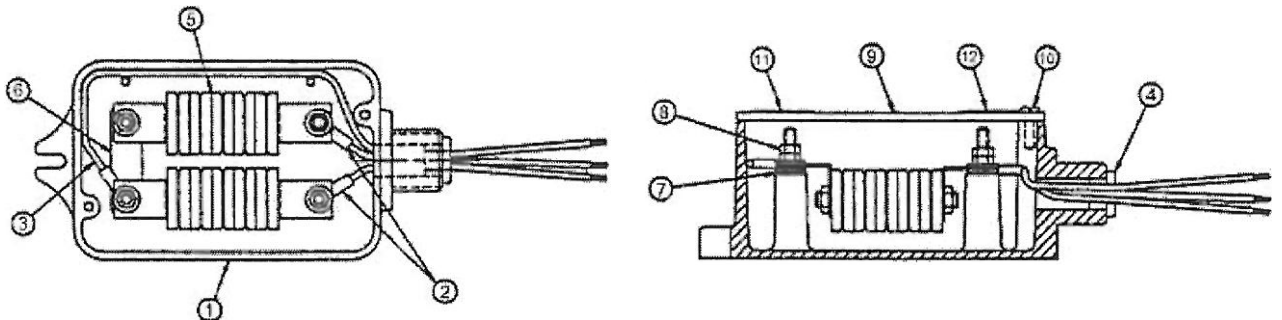
DO NOT INSERT ANY OBJECTS INTO THE VENT HOLES OF THE SP-36.

## SERVICING

The power-line protectors can be replaced as follows:

- 1) Turn off all power to the load center at the main breaker. **Make sure power is off.**
- 2) Disconnect the SP-36 wires from the load center.
- 3) Remove the two screws holding the cover on the SP-36.
- 4) Remove the nuts holding the protectors in place and remove the protectors.
- 5) Install the new protectors.
- 6) Reinstall nuts removed in step 4 and tighten nuts to hold the new protectors in place.
- 7) Reinstall the cover and secure with the screws removed in step 3.
- 8) Reconnect the SP-36 wires to the load center- observe correct hookup.
- 9) Restore power to the load center.

## REPLACEMENT PARTS



To Order: Specify Description and Part Number

Item No.	Part No.	Description	Qty.
1	010836-1	Protector Housing	1
2	022312-11-6X	Wire 12 Ga. Black x 18" w/Terminal	2
3	022312-18-1X	Wire 12 Ga. White x 24" w/Terminal	1
4	010836-5	Rubber Grommet Bushing	1
5	022701-29X	Power Line Protector w/o Cap	2
6	023839-25	Buss Connector	1
7	023690-14A	Beveled Washer	8
8	023690-14	Clamp Nut	8
9	010836-2	Box Cover	1
10	5283	Tap Screw Phil#8 x 1/2	2
11	010836-3	Name Plate	1
12	010836-4	Warning Label	1
13	7152	Lock Nut 3/4"	1
14	1760	Flat Washer 1 x 2-1/2	2
15	5722-RSC	Wood Screw RD #10 x 1-1/4	1