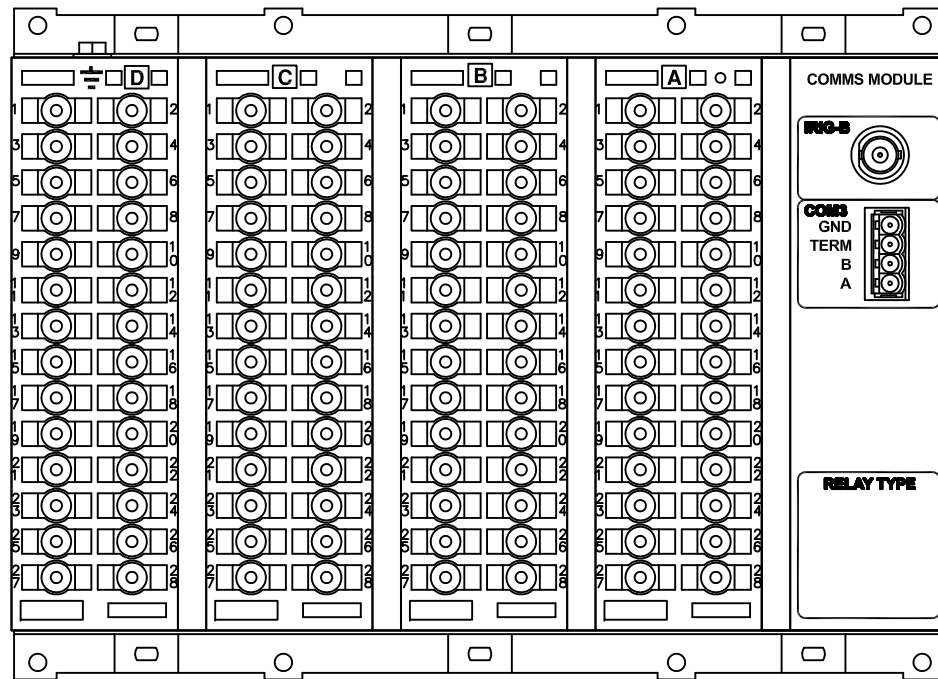




IF IN DOUBT ASK
DO NOT SCALE

| ABBREVIATIONS | |
|---------------|--|
| I- | CURRENT INPUTS |
| V- | VOLTAGE INPUTS |
| BI- | BINARY INPUTS |
| BO- | BINARY OUTPUTS |
| CO- | CHANGE OVER BINARY OUTPUT CONTACTS |
| NO- | NORMALLY OPEN BINARY OUTPUT CONTACTS |
| NC- | NORMALLY CLOSED BINARY OUTPUT CONTACTS |

| COMMUNICATIONS IDENTIFICATION | |
|-------------------------------|--|
| COM1 | RS485 (ON BLOCK 'B' TERMINALS 14,16,18 & 20) |
| COM2 | USB TYPE 'B' PORT (ON RELAY FRONT LABEL) |
| COM3 | RS485 (ON REAR COMMS MODULE) |



RELAY VIEWED FROM REAR

NOTES

1) TERMINALS RECOMMENDED ARE PRE-INSULATED & MUST BE CRIMPED USING APPROVED TOOLING. AMP PIDG OR PLASTI GRIP FUNNEL ENTRY (RING TONGUE) FOR M4 FIXING STUD.

| SUPPLIER | PART NUMBER | CABLE SIZE |
|----------|-------------|-------------------------|
| AMP | 342103 | 0.25-1.6mm ² |
| AMP | 342143 | 1.0-2.6mm ² |

OR ANY OTHER MANUFACTURERS EQUIVALENT TERMINAL.

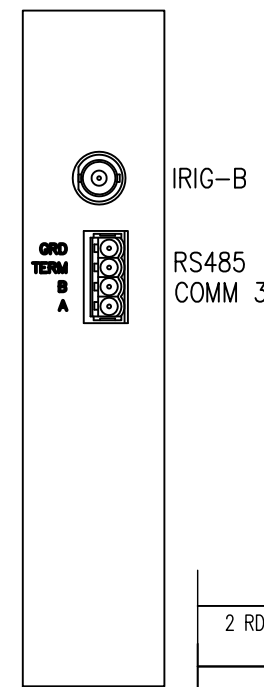
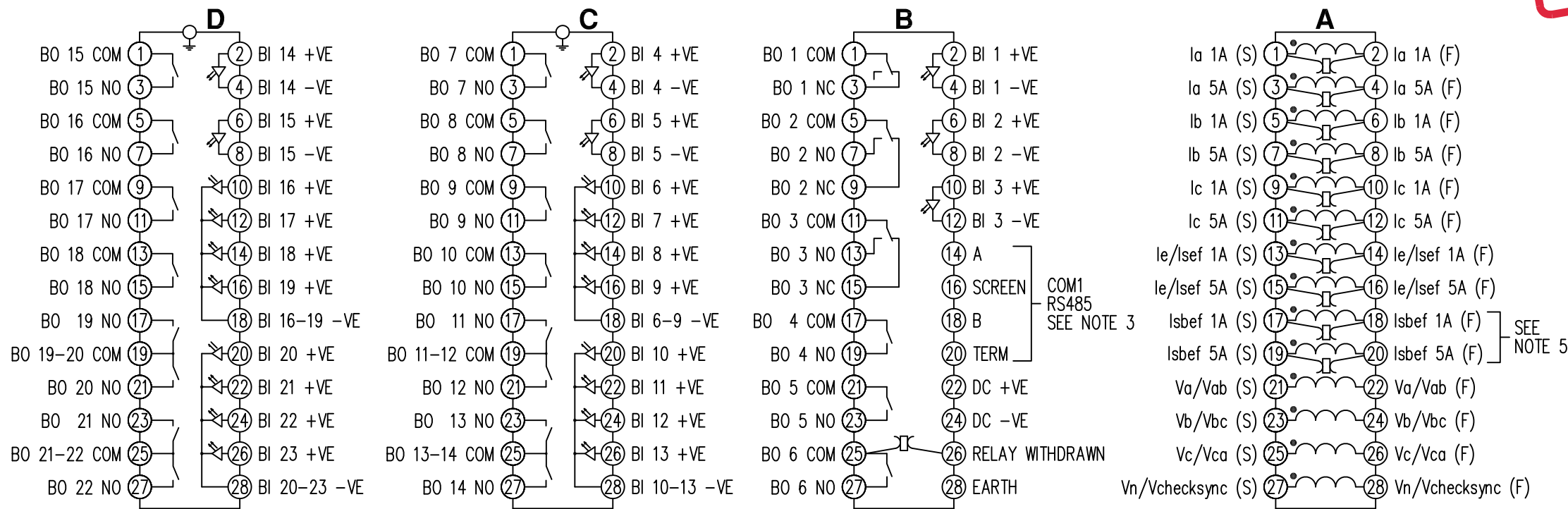
2) FOR OUTLINE & PANEL DRILLING, SEE 2995X10010 (A4).

3) CONNECTIONS TO THIS COMMUNICATIONS FACILITY IS BY SCREENED, TWISTED PAIR CABLE, ON SITE. WHEN WIRING OTHER FACILITIES ENSURE THAT THESE TERMINALS ARE NOT OBTURED BY OTHER WIRE RUNS.

4) CONTACTS SHOWN THUS ARE INTERNAL RELAY CASE ASSEMBLY AND CLOSE WHEN THE RELAY CHASSIS IS WITHDRAWN FROM THE CASE.

5) THESE CTs ALTHOUGH FITTED ARE NOT ACTIVE IN RECLOSER-M MODELS.

NOT SUBJECT TO UPDATE
ONCE COPIED / PRINTED
OR DOWNLOADED



MATERIAL:

Dimensions in millimetres : Surface texture in micrometres.
Machine where marked ✓
For explanation of dimensions, tolerances, notes etc. see B.S.308.
Limit on untoleranced unmachined dimensions ± _____
Limits on untoleranced machined dimensions to B.S.4500;
i.e. up to 6±0.1; over 30 to 120±0.3; over 315±0.8;
over 6 to 30±0.2; over 120 to 315±0.5;
General unmachined angular tolerance ± _____

Finish:

Title:
TERMINAL ID & WIRING DIAGRAM FOR RM PLATFORM
(5I,4V,23BI,2CO,19NO,1NC, RS485 (x2) + IRIG-B) E10 CASE

First used on:
Similar Articles:
Supersedes:

Treatment:

SIEMENS PROTECTION DEVICES LTD.

Original Scale.

NTS

Drq. No.

2435W40030

| | | |
|-------|----------|--------------------------------|
| 2 RDW | 08/09/09 | MN435/3175 KB (3HBB_090908) |
| 1 | 19/05/09 | CHANGE |
| ISSUE | DATE | NOTED |