

# SIEMENS

CATALOG NO. 3F3Y750D16

SERIAL NO.

SERIES H

750 kVA 60 Hz 3 PHASE

6 % IMP AT 170 °C

150 °C RISE 30 °C AVG. AMBIENT

220 °C TEMP CLASS 40 °C MAX. AMBIENT

PRIMARY ( H1 H2 H3 ) 480V V - kV BIL

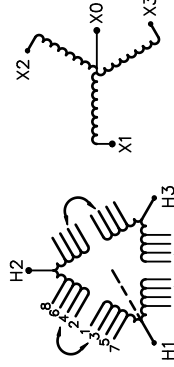
SECONDARY( X0 X1 X2 X3 ) 208Y/120V V - kV BIL

WINDING MATERIAL AL

ENCLOSURE TYPE 3R WEIGHT 4100 LBS

ENERGY EFFICIENCY EXCEEDS CSA DOE 10 CFR PART 431:2016

SPACINGS BETWEEN ANY VENTILATED ENCLOSURE PANEL AND ANY ADJACENT WALL SHALL BE A MINIMUM OF 12 INCHES



VOLTS

- 504
- 492
- 480
- 468
- 456
- 444
- 432

CONNECT

- 1-2
- 2-3
- 3-4
- 4-5
- 5-6
- 6-7
- 7-8



3F3Y750D16

TYPE K



SEISMIC QUALIFICATIONS, FLOOR MOUNT ONLY  
OSP-0136-10 IBC 2012/ASCE 7-10  
SDS<=2.0g Z/h=1 Ip=1.5

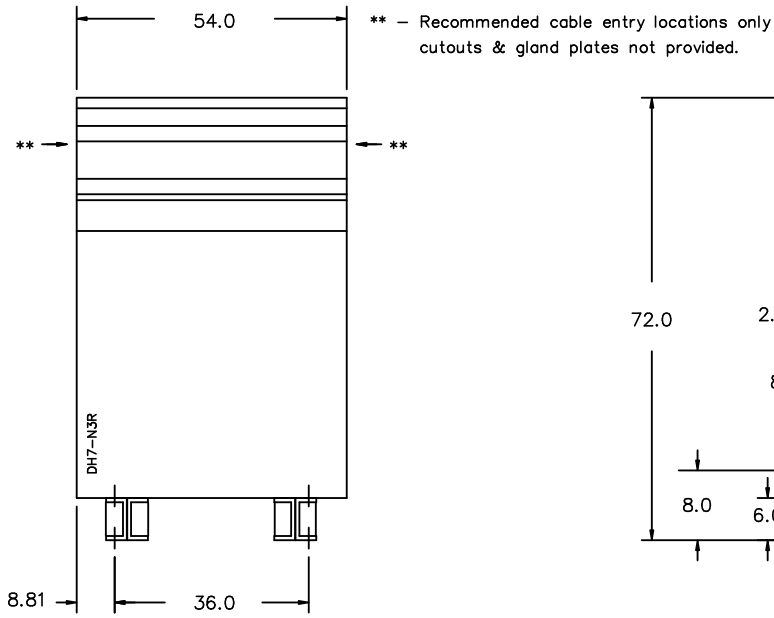
Siemens Industry, Inc. Norcross, GA ds00066

Confidential - Property of Siemens Industry, Inc.

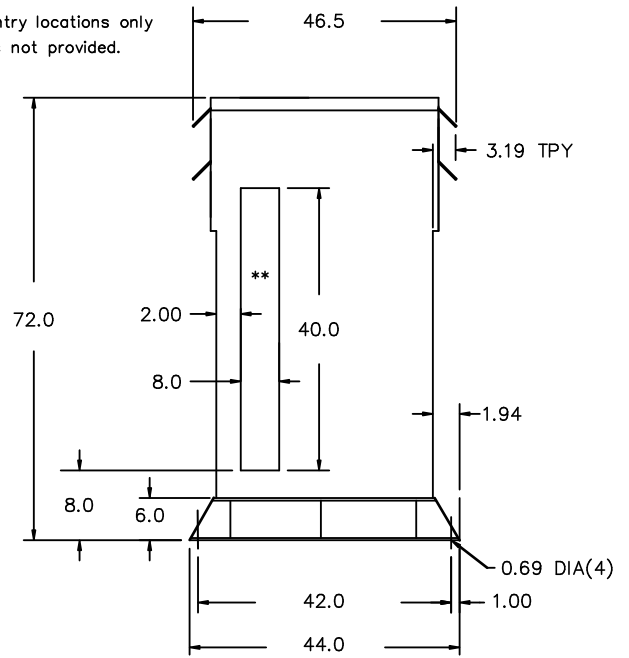
REVISION	DATE	BY	DATE	BY
		DRAWN	15/11/09	JW
		CHEK'D		
		VERIF'D		

CUSTOMER		
ORDER NO.	DWG. NO.	
	3F3Y750D16	SH 1 OF 2

FRONT VIEW



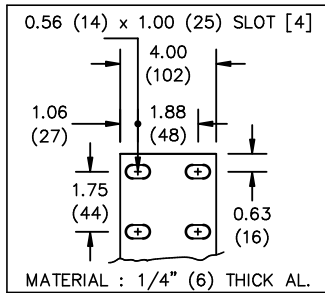
SIDE VIEW



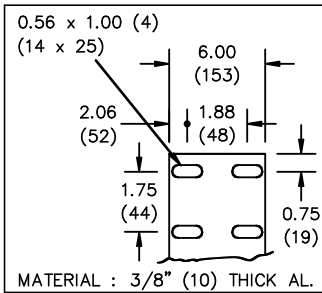
All Dimensions in inches

ENCLOSURE COLOR : ANSI 61 GREY - OUTDOOR

H.V.1. TERMINAL DETAIL



L.V.1. TERMINAL DETAIL



CUSTOMER NOTES:

- HV1 TERMINATED AT TOP FRONT
- LV1 TERMINATED AT BOTTOM FRONT

Confidential - Property of  
Siemens Industry, Inc.

REVISION	DATE	BY	DATE	BY	CUSTOMER
			DRAWN 15/11/09	JW	
			CHEK'D		
			VERIF'D		
		ORDER NO.		DWG. NO.	
				3F3Y750D16	SH 2 OF 2