

ID Switches

2 & 3 Pole, 30 Amp, Type 1 (Indoor)



30A ID Series
Product
Specification
Sheet

Features

- Designed for the Canadian construction market
- Suitable for use in a circuit that is rated for 200kA RMS – symmetrical and 600V maximum
- Continuous load 80% of fuse rating except for motor circuits
- CSA Certified under file #13076
- Compact size with integrated handle
- Type 1 enclosure for indoor applications
- Quick make-quick break mechanism
- Padlock-off handle feature
- Door padlock provision
- Use C.S.A certified, H.R.C. fuses. Form I (Class J, R or H) and Form II fuses if the accepted adaptor kits are provided
- Fuse puller included
- Manufactured in Canada for quick delivery and easy access to replacement parts

General information¹

| Part number | Max. Voltage | Description | Unit weight – lbs (kg) |
|--------------------|--------------|--------------------------------------|------------------------|
| ID221 ² | 240V AC | 2 Pole, 3 Wire, Fusible with neutral | 12.78 (5.81) |
| ID321 | 240V AC | 3 Pole, 3 Wire, Fusible | 12.61 (5.72) |
| ID421 ² | 240V AC | 3 Pole, 4 Wire, Fusible with neutral | 12.78 (5.81) |
| ID361 | 600V AC | 3 Pole, 3 Wire, Fusible | 12.61 (5.72) |
| ID361NF | 600V AC | 3 Pole, 3 Wire, Non-Fusible | 12.18 (5.52) |

Maximum horsepower ratings⁴

| | 1-PH | 3-PH |
|-----------------------------|------|------|
| 240V AC Max HP ³ | 3 | 7.5 |
| 480V AC Max HP ³ | — | 15 |
| 600V AC Max HP ³ | 10 | 20 |

Accessories

| | |
|-----------------------|--|
| RFAK21 | Type R fuse kit 240V (Order one per pole) |
| RFAK61 | Type R fuse kit 600V (Order one per pole) |
| MSSAK116 ⁴ | Auxiliary contact kit, 1 NO + 1 NC (30–100A) |
| MSSAK216 ⁴ | Auxiliary contact kit, 2 NO + 2 NC (30–100A) |
| FP2 | Fuse puller kit (Order one per 3-pole switch) |
| N60 | Neutral kit (Order one per 3-pole switch) |
| CCSS1 | Replacement cover catch kit (20 pieces per kit) |
| LSK1 | Replacement line shield kit (three pieces per kit) |

Lug size data

| Amp rating | Lugs/Pole | Wire range; Copper or Aluminium | |
|------------|-----------|---------------------------------|------------|
| | | Line and load | Neutral |
| 30 | 1 | #14 -2 AWG | #14 -4 AWG |

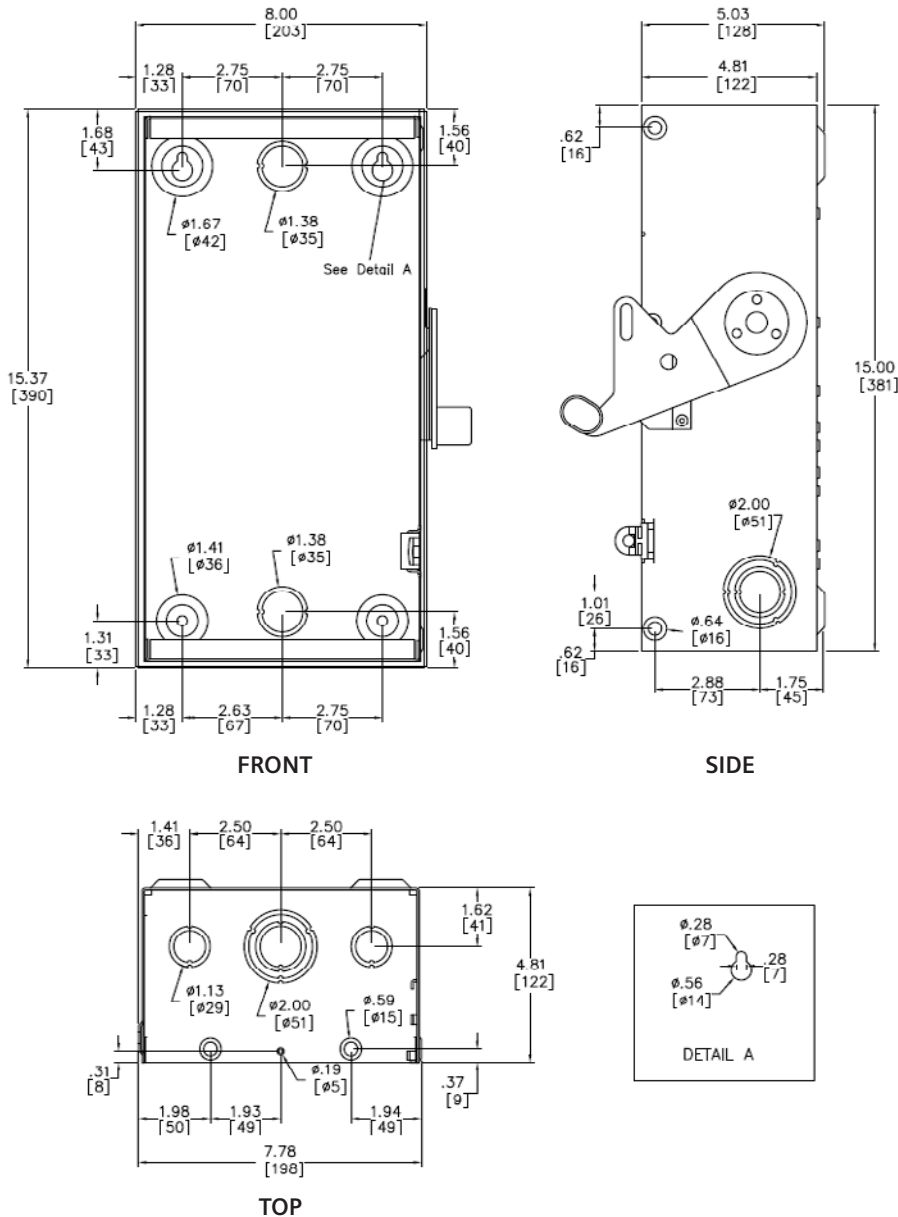
¹ Not suitable for direct current systems

² Suitable for use as service equipment

³ At maximum HP rating, time delay type fuses may be required for starting purpose

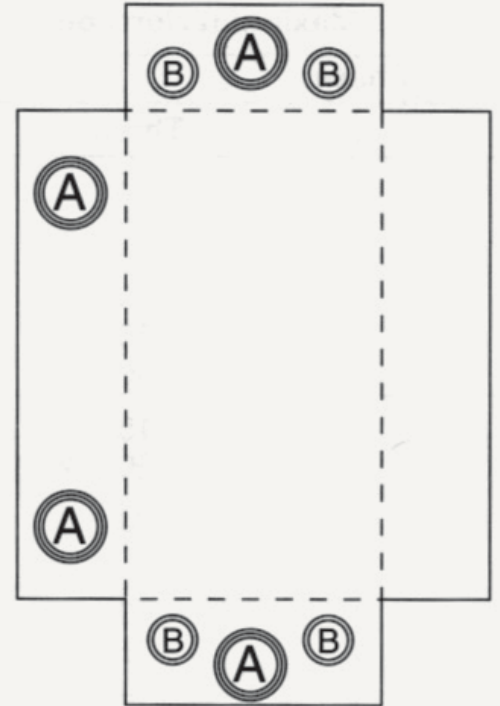
⁴ Not applicable to switches suitable for use as service equipment

Dimension drawings – units: inches [mm]



Knock-out diagram

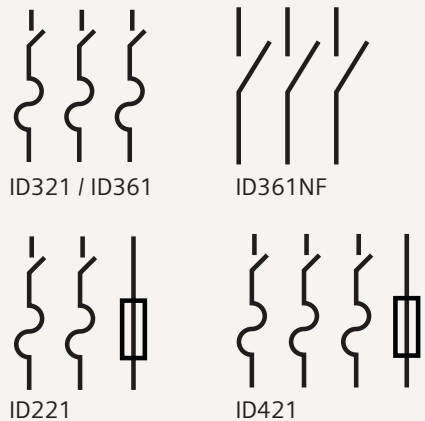
30 Amp Enclosure, Type ID



K.O.'s trade size

A = 3/4", 1", 1 1/4", 1 1/2"
 B = 1/2", 3/4"

Wiring diagrams



Siemens Canada Limited
 Electrical Products
 1577 North Service Road East
 Oakville, ON L6H0H6

Published by
 Siemens Canada Limited 2021
 © Siemens Canada Limited, 2021
 Order no. SI-EP-1726

Subject to change without prior notice.

Customer Interaction Centre
 Tel: 1 (888) 303-3353
 cic.ca@siemens.com

The information provided in this flyer contains merely general descriptions or characteristics of performance which in case of actual use do not always apply as described or which may change as a result of further development of the products. An obligation to provide the respective characteristics shall only exist if expressly agreed in the terms of contract.

All product designations may be trademarks or product names of Siemens AG or supplier companies whose use by third parties for their own purposes could violate the rights of the owners.

ID Switches

2 & 3 Pole, 60 Amp, Type 1 (Indoor)

60A ID Series
Product
Specification
Sheet



Features

- Designed for the Canadian construction market
- Suitable for use in a circuit that is rated for 200kA RMS – symmetrical and 600V maximum
- Continuous load 80% of fuse rating except for motor circuits
- CSA Certified under file #13076
- Compact size with integrated handle
- Type 1 enclosure for indoor applications
- Quick make-quick break mechanism
- Padlock-off handle feature
- Door padlock provision
- Use C.S.A certified, H.R.C. fuses. Form I (Class J, R or H) and Form II fuses if the accepted adaptor kits are provided
- Fuse puller included
- Manufactured in Canada for quick delivery and easy access to replacement parts

General information¹

| Part number | Max. voltage | Description | Unit weight – lbs (kg) |
|--------------------|--------------|--------------------------------------|------------------------|
| ID222 ² | 240V AC | 2 Pole, 3 Wire, Fusible with neutral | 12.78 (5.81) |
| ID322 | 240V AC | 3 Pole, 3 Wire, Fusible | 12.61 (5.72) |
| ID422 ² | 240V AC | 3 Pole, 4 Wire, Fusible with neutral | 12.78 (5.81) |
| ID362 | 600V AC | 3 Pole, 3 Wire, Fusible | 12.61 (5.72) |
| ID362NF | 600V AC | 3 Pole, 3 Wire, Non-Fusible | 12.18 (5.52) |

Maximum horsepower ratings⁴

| | 1-PH | 3-PH |
|-----------------------------|------|------|
| 240V AC Max HP ³ | 10 | 15 |
| 480V AC Max HP ³ | — | 30 |
| 600V AC Max HP ³ | 25 | 50 |

Accessories

| | |
|-----------------------|--|
| RFAK22 | Type R fuse kit 240V (Order one per pole) |
| RFAK62 | Type R fuse kit 600V (Order one per pole) |
| MSSAK116 ⁴ | Auxiliary contact kit, 1 NO + 1 NC (30–100A) |
| MSSAK216 ⁴ | Auxiliary contact kit, 2 NO + 2 NC (30–100A) |
| FP2 | Fuse puller kit (Order one per 3-pole switch) |
| N60 | Neutral kit (Order one per 3-pole switch) |
| CCSS1 | Replacement cover catch kit (20 pieces per kit) |
| LSK1 | Replacement line shield kit (three pieces per kit) |

Lug Size Data

| Amp rating | Lugs/Pole | Wire range; Copper or Aluminium | |
|------------|-----------|---------------------------------|------------|
| | | Line and load | Neutral |
| 60 | 1 | #14 -2 AWG | #14 -4 AWG |

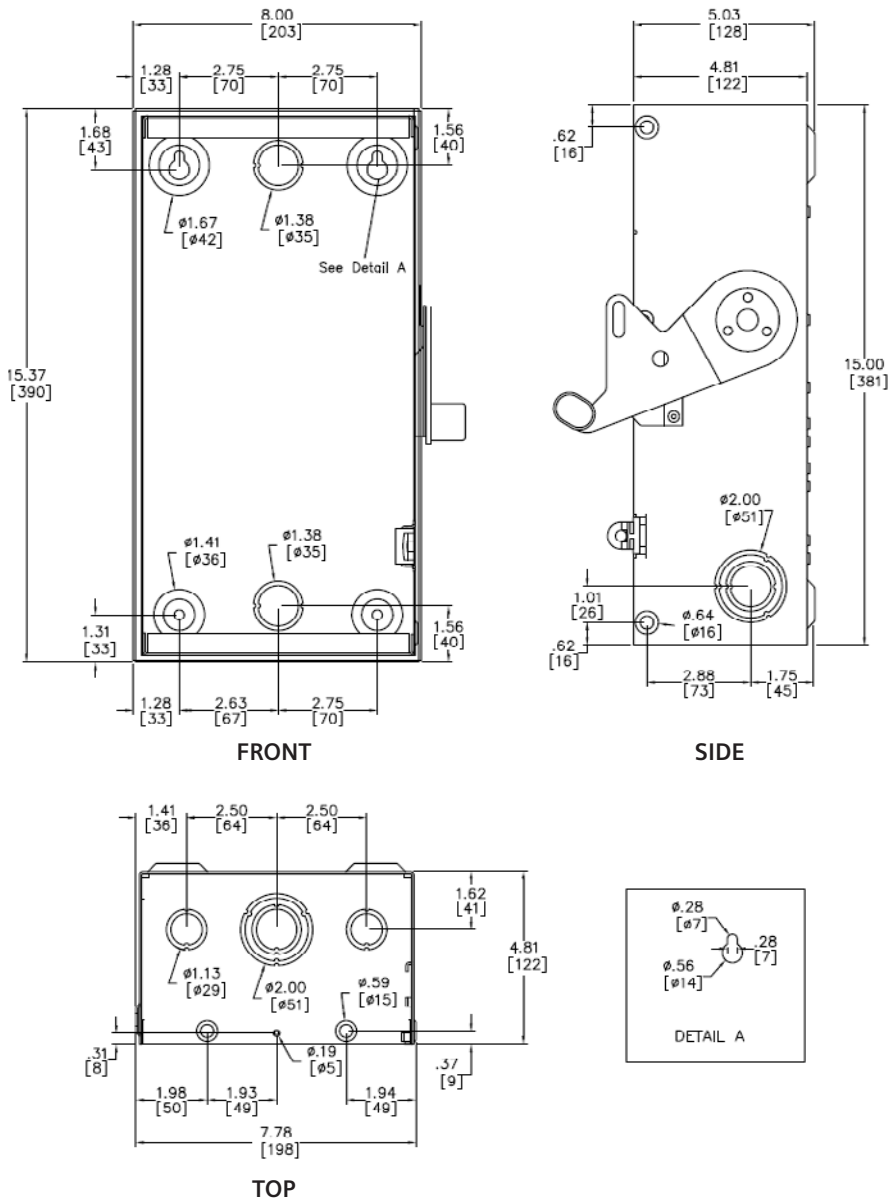
¹ Not suitable for direct current systems

² Suitable for use as service equipment

³ At maximum HP rating, time delay type fuses may be required for starting purpose

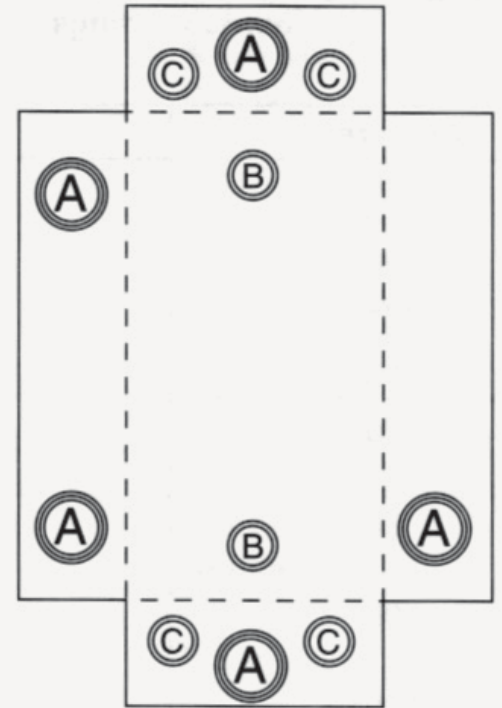
⁴ Not applicable to switches suitable for use as service equipment

Dimension drawings – units: inches [mm]



Knock-out diagram

30–60 Amp Enclosure, Type ID



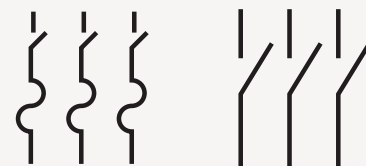
K.O.'s trade size

A = 3/4", 1", 1 1/4", 1 1/2"

B = 3/4", 1"

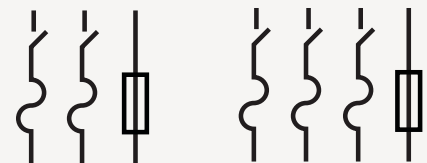
C = 1/2", 3/4"

Wiring diagrams



ID322 / ID362

ID362NF



ID222

ID422

Siemens Canada Limited
Electrical Products
1577 North Service Road East
Oakville, ON L6H0H6

Published by
Siemens Canada Limited 2021
© Siemens Canada Limited, 2021
Order no. SI-EP-1727

Subject to change without prior notice.

Customer Interaction Centre
Tel: 1 (888) 303-3353
cic.ca@siemens.com

The information provided in this flyer contains merely general descriptions or characteristics of performance which in case of actual use do not always apply as described or which may change as a result of further development of the products. An obligation to provide the respective characteristics shall only exist if expressly agreed in the terms of contract.

All product designations may be trademarks or product names of Siemens AG or supplier companies whose use by third parties for their own purposes could violate the rights of the owners.

ID Switches

2 & 3 Pole, 100 Amp, Type 1 (Indoor)

Features

- Designed for the Canadian construction market
- Suitable for use in a circuit that is rated for 200kA RMS – symmetrical and 600V maximum
- Continuous load 80% of fuse rating except for motor circuits
- CSA Certified under file #13076
- Compact size with integrated handle
- Type 1 enclosure for indoor applications
- Quick make-quick break mechanism
- Padlock-off handle feature
- Door padlock provision
- Fuse puller included
- Use C.S.A certified, H.R.C. fuses. Form I (Class J, R or H) and Form II fuses if the accepted adaptor kits are provided
- Manufactured in Canada for quick delivery and easy access to replacement parts

General information¹

| Part number | Max. voltage | Description | Unit weight – lbs (kg) |
|--------------------|--------------|--------------------------------------|------------------------|
| ID223 ² | 240V AC | 2 Pole, 3 Wire, Fusible with neutral | 17.45 (7.93) |
| ID323 | 240V AC | 3 Pole, 3 Wire, Fusible | 17.22 (7.81) |
| ID423 ² | 240V AC | 3 Pole, 4 Wire, Fusible with neutral | 17.45 (7.93) |
| ID363 | 600V AC | 3 Pole, 3 Wire, Fusible | 17.22 (7.81) |
| ID363NF | 600V AC | 3 Pole, 3 Wire, Non-Fusible | 16.58 (7.52) |

Maximum horsepower ratings⁴

| | 1-PH | 3-PH |
|-----------------------------|------|------|
| 240V AC Max HP ³ | 15 | 30 |
| 480V AC Max HP ³ | — | 60 |
| 600V AC Max HP ³ | 40 | 75 |

Accessories

| | |
|-----------------------|--|
| RFAK3 | Type R fuse kit (Order one per pole) |
| TFAK23 | Type T fuse kit 240V (Order one per pole) |
| MSSAK116 ⁴ | Auxiliary contact kit, 1 NO + 1 NC (30–100A) |
| MSSAK216 ⁴ | Auxiliary contact kit, 2 NO + 2 NC (30–100A) |
| FP3 | Fuse puller (Order one per 3-pole switch) |
| N100 | Neutral kit (Order one per 3-pole switch) |
| CCSS1 | Replacement cover catch kit (20 pieces per kit) |
| LSK 4 | Replacement line shield kit (three pieces per kit) |

Lug size data

| Amp rating | Lugs/Pole | Wire range; Copper or Aluminium | |
|------------|-----------|---|---------------|
| | | Line and load | Neutral |
| 100 | 1 | Line: #6 - 250 MCM Load: #14 - 1/0 AWG | #14 - 2/0 AWG |

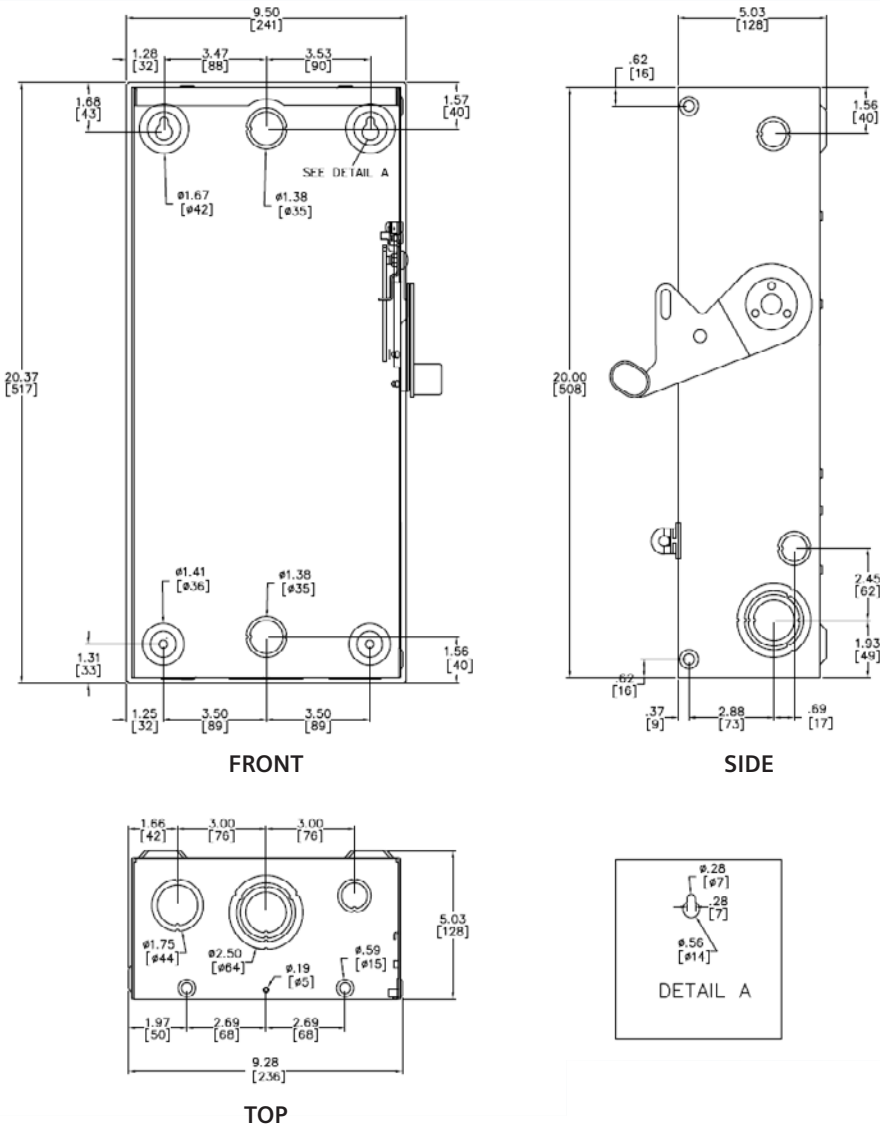
¹ Not suitable for direct current systems

² Suitable for use as service equipment

³ At maximum HP rating, time delay type fuses may be required for starting purpose

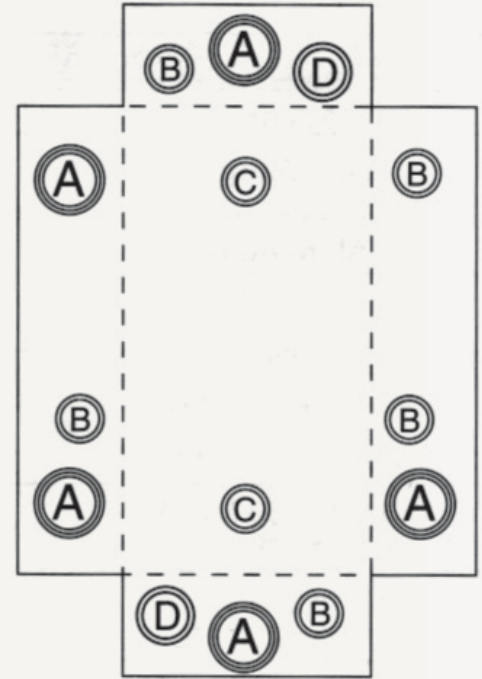
⁴ Not applicable to switches suitable for use as service equipment

Dimension drawings – units: inches [mm]



Knock-out diagram

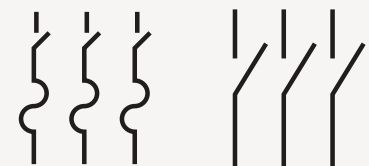
100 Amp Enclosure, Type ID



K.O.'s trade size

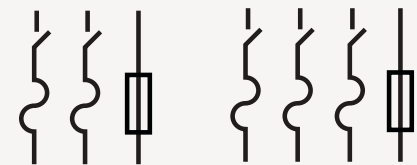
- A = 1", 1 1/4", 1 1/2", 2"
- B = 1/2", 3/4"
- C = 3/4", 1"
- D = 1", 1 1/4"

Wiring diagrams



ID323 / ID363

ID363NF



ID223

ID423

Siemens Canada Limited
Electrical Products
1577 North Service Road East
Oakville, ON L6H0H6

Published by
Siemens Canada Limited 2021
© Siemens Canada Limited, 2021
Order no. SI-EP-1728

Subject to change without prior notice.

Customer Interaction Centre
Tel: 1 (888) 303-3353
cic.ca@siemens.com

The information provided in this flyer contains merely general descriptions or characteristics of performance which in case of actual use do not always apply as described or which may change as a result of further development of the products. An obligation to provide the respective characteristics shall only exist if expressly agreed in the terms of contract.

All product designations may be trademarks or product names of Siemens AG or supplier companies whose use by third parties for their own purposes could violate the rights of the owners.

ID Switches

2 & 3 Pole, 200 Amp, Type 1 (Indoor)

Features

- Designed for the Canadian construction market
- Suitable for use in a circuit that is rated for 200kA RMS – symmetrical and 600V maximum
- Continuous load 80% of fuse rating except for motor circuits
- CSA Certified under file #13076
- Compact size with integrated handle
- Type 1 enclosure for indoor applications
- Quick make-quick break mechanism
- Padlock-off handle feature
- Fuse puller included
- Door padlock provision
- Use C.S.A certified, H.R.C. fuses. Form I (Class J, R or H) and Form II fuses if the accepted adaptor kits are provided
- Manufactured in Canada for quick delivery and easy access to replacement parts

General information¹

| Part number | Max. voltage | Description | Unit weight – lbs (kg) |
|--------------------|--------------|--------------------------------------|------------------------|
| ID224 ² | 240V AC | 2 Pole, 3 Wire, Fusible with neutral | 31.95 (14.52) |
| ID324 | 240V AC | 3 Pole, 3 Wire, Fusible | 31.52 (14.3) |
| ID424 ² | 240V AC | 3 Pole, 4 Wire, Fusible with neutral | 31.95 (14.52) |
| ID364 | 600V AC | 3 Pole, 3 Wire, Fusible | 31.52 (14.3) |
| ID364NF | 600V AC | 3 Pole, 3 Wire, Non-Fusible | 29.64 (13.44) |

Maximum horsepower ratings⁴

| | 1-PH | 3-PH |
|-----------------------------|------|------|
| 240V AC Max HP ³ | 15 | 60 |
| 480V AC Max HP ³ | — | 125 |
| 600V AC Max HP ³ | 50 | 150 |

Accessories

| | |
|-----------------------|--|
| RFAK4 | Type R fuse kit (Order one per pole) |
| TFAK24 | Type T fuse kit 240V (Order one per pole) |
| TFAK64 | Type T fuse kit 600V (Order one per pole) |
| MSSAK126 ⁴ | Auxiliary contact kit, 1 NO + 1 NC (30–100A) |
| MSSAK226 ⁴ | Auxiliary contact kit, 2 NO + 2 NC (30–100A) |
| FP4 | Fuse puller (Order one per 3-pole switch) |
| N200 | Neutral kit (Order one per 3-pole switch) |
| CCSS1 | Replacement cover catch kit (20 pieces per kit) |
| LSK4 | Replacement line shield kit (three pieces per kit) |
| FCK620 | 200A load base replacement for ID switch |

Lug size data

| Amp rating | Lugs/Pole | Wire range; Copper or Aluminium | |
|------------|-----------|---------------------------------|--------------|
| | | Line and load | Neutral |
| 200 | 1 | #6 - 250 MCM | #6 - 300 MCM |

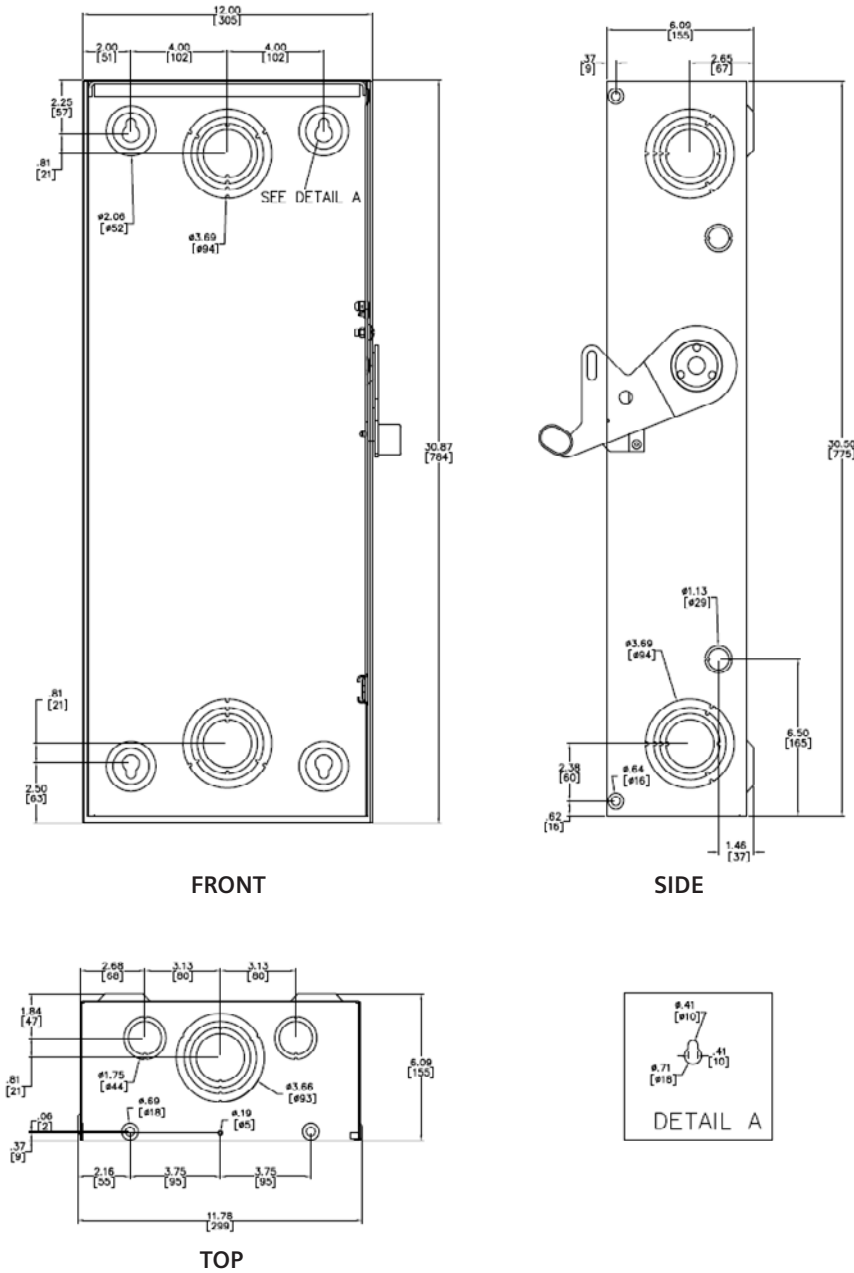
¹ Not suitable for direct current systems

² Suitable for use as service equipment

³ At maximum HP rating, time delay type fuses may be required for starting purpose

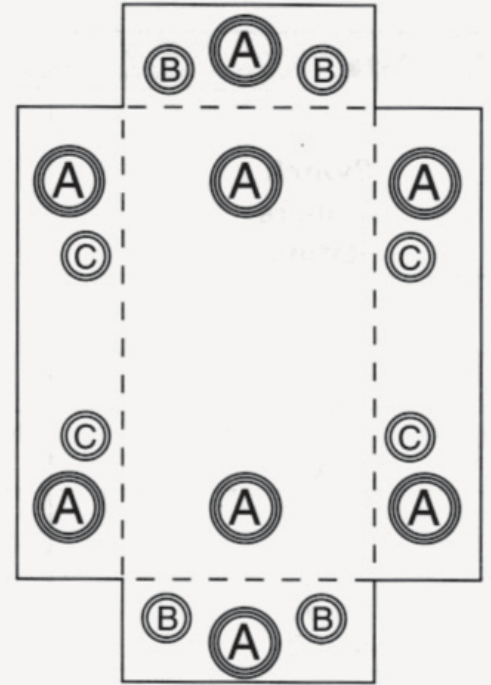
⁴ Not applicable to switches suitable for use as service equipment

Dimension drawings – units: inches [mm]



Knock-out diagram

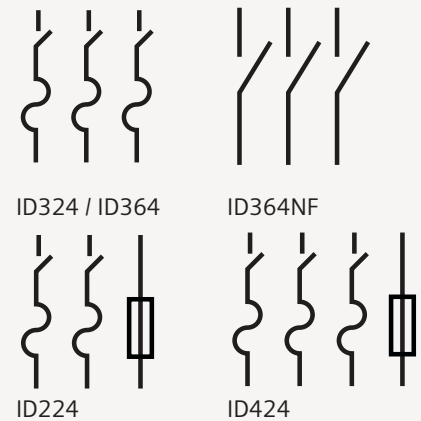
200 Amp Enclosure, Type ID



K.O.'s trade size

- A = 1½", 2", 2½", 3"
- B = 1", 1¼"
- C = ½", ¾"

Wiring diagrams



Siemens Canada Limited
Electrical Products
1577 North Service Road East
Oakville, ON L6H0H6

Published by
Siemens Canada Limited 2021
© Siemens Canada Limited, 2021
Order no. SI-EP-1729

Subject to change without prior notice.

Customer Interaction Centre
Tel: 1 (888) 303-3353
cic.ca@siemens.com

The information provided in this flyer contains merely general descriptions or characteristics of performance which in case of actual use do not always apply as described or which may change as a result of further development of the products. An obligation to provide the respective characteristics shall only exist if expressly agreed in the terms of contract.

All product designations may be trademarks or product names of Siemens AG or supplier companies whose use by third parties for their own purposes could violate the rights of the owners.



SIEMENS
Ingenuity for life

400A ID Series
Product
Specification
Sheet

ID Switches

3 Pole, 400 Amp, Type 1 (Indoor)

Features

- Designed for the Canadian construction market
- Suitable for use in circuits rated for 100kA RMS – symmetrical and 600V maximum
- Continuous load 80% of fuse rating except for motor circuits
- CSA Certified under file #13076
- Compact size with integrated handle
- Type 1 enclosure for indoor applications
- Quick make-quick break mechanism
- Padlock-off handle feature
- Door padlock provision
- Knock out removed for increased installation flexibility
- Use C.S.A certified, H.R.C. fuses. Form I (Class J, R or H) and Form II fuses if the accepted adaptor kits are provided
- Manufactured in Canada for quick delivery and easy access to replacement parts

General information*

| Part number | Max. voltage | Description | Unit weight – lbs (kg) |
|-------------|--------------|--------------------------------------|------------------------|
| ID225 | 240V AC | 2 Pole, 3 Wire, Fusible with neutral | 76 (34.47) |
| ID425 | 240V AC | 3 Pole, 4 Wire, Fusible with neutral | 89 (40.36) |
| ID365 | 600V AC | 3 Pole, 3 Wire, Fusible | 88 (39.62) |
| ID365NF | 600V AC | 3 Pole, 3 Wire, Non-Fusible | 87 (39.46) |

* Not suitable for direct current systems

Maximum horsepower ratings

| | 1-PH | 3-PH |
|-----------------|------|------|
| 240V AC Max HP† | — | 125 |
| 480V AC Max HP† | — | 250 |
| 600V AC Max HP† | — | 250 |

† At maximum HP rating, time delay type fuses may be required for starting purpose

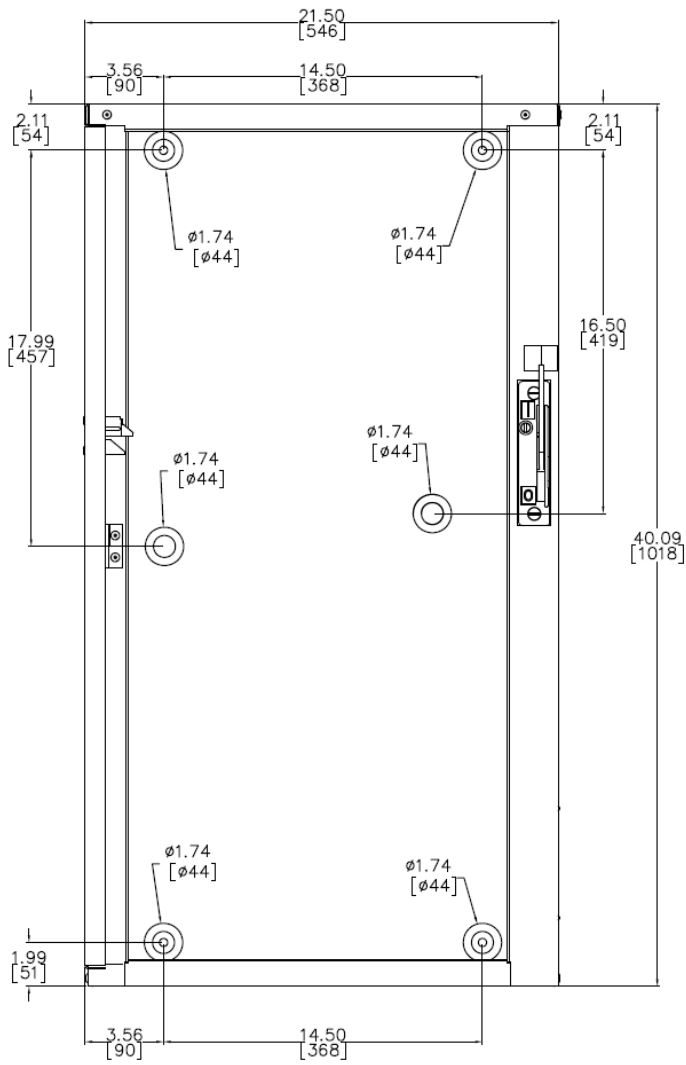
Accessories

| | |
|--------|---|
| RFAK6 | Type R fuse kit (Order one per pole) |
| N400ID | Neutral kit (Order one per 3-pole switch) |
| TFAK52 | Type T fuse kit 240V (Order one per pole) |
| TFAK55 | Type T fuse kit 600V (Order one per pole) |
| CLOBK5 | Replacement load base kit |
| CLIBK5 | Replacement line base kit |

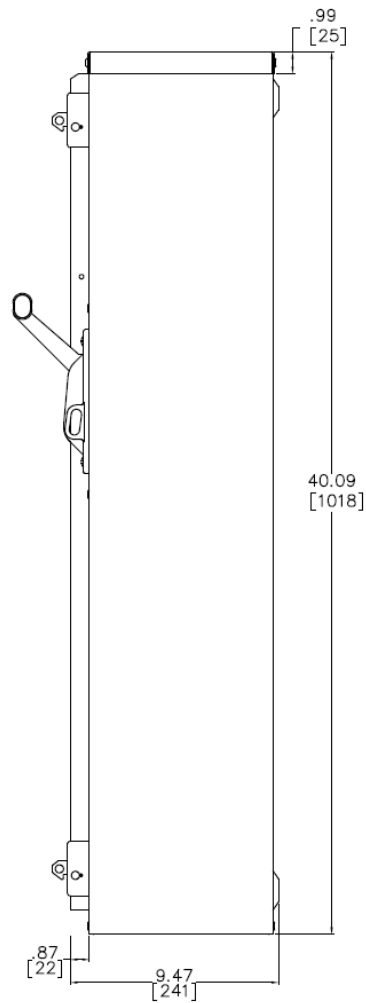
Lug size data

| Amp rating | Lugs/Pole | Wire range; Copper or Aluminium | |
|------------|-----------|--|---------|
| | | Line and load | Neutral |
| 400 | 1 | (1)1/0 to 750 MCM or (2)1/0 to 250 MCM | |

Dimension drawings – units: inches [mm]

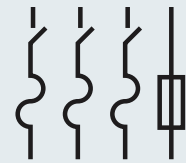


FRONT

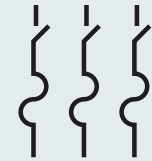


SIDE

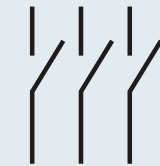
Wiring diagrams



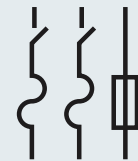
ID425



ID365



ID365NF



ID225

Siemens Canada Limited
Energy Management Division
Low Voltage & Products
1577 North Service Road East
Oakville, ON L6H 0H6

Customer Interaction Centre
(888) 303-3353
cic.ca@siemens.com

Subject to change without prior notice.
Printed in Canada.
© 2018 Siemens Canada Limited
Order No: EM-LP-1521

The information provided in this flyer contains merely general descriptions or characteristics of performance which in case of actual use do not always apply as described or which may change as a result of further development of the products. An obligation to provide the respective characteristics shall only exist if expressly agreed in the terms of contract.

All product designations may be trademarks or product names of Siemens AG or supplier companies whose use by third parties for their own purposes could violate the rights of the owners.

ID Switches

3 Pole, 600 Amp, Type 1 (Indoor)

Features

- Designed for the Canadian construction market
- Suitable for use in circuits rated for 100kA RMS – symmetrical and 600V maximum
- Continuous load 80% of fuse rating except for motor circuits
- CSA Certified under file #13076
- Compact size with integrated handle
- Type 1 enclosure for indoor applications
- Quick make-quick break mechanism
- Padlock-off handle feature
- Door padlock provision
- Knock out removed for increased installation flexibility
- Use C.S.A. certified fuses H.R.C. Form I (Class J, R, T or H) and Form II Class C fuses if the accepted adaptor kits are provided
- Manufactured in Canada for quick delivery and easy access to replacement parts

General information*

| Part number | Max. voltage | Description | Unit weight – lbs (kg) |
|-------------|--------------|--------------------------------------|------------------------|
| ID226 | 240V AC | 2 Pole, 3 Wire, Fusible with neutral | 102 (46.27) |
| ID426 | 240V AC | 3 Pole, 4 Wire, Fusible with neutral | 102 (46.27) |
| ID366 | 600V AC | 3 Pole, 3 Wire, Fusible | 101 (45.81) |
| ID366NF | 600V AC | 3 Pole, 3 Wire, Non-Fusible | 97 (44) |

* Not suitable for direct current systems

Maximum horsepower ratings

| | 1-PH | 3-PH |
|-----------------|------|------|
| 240V AC Max HP† | — | 200 |
| 480V AC Max HP† | — | 400 |
| 600V AC Max HP† | — | 500 |

† At maximum HP rating, time delay type fuses may be required for starting purpose

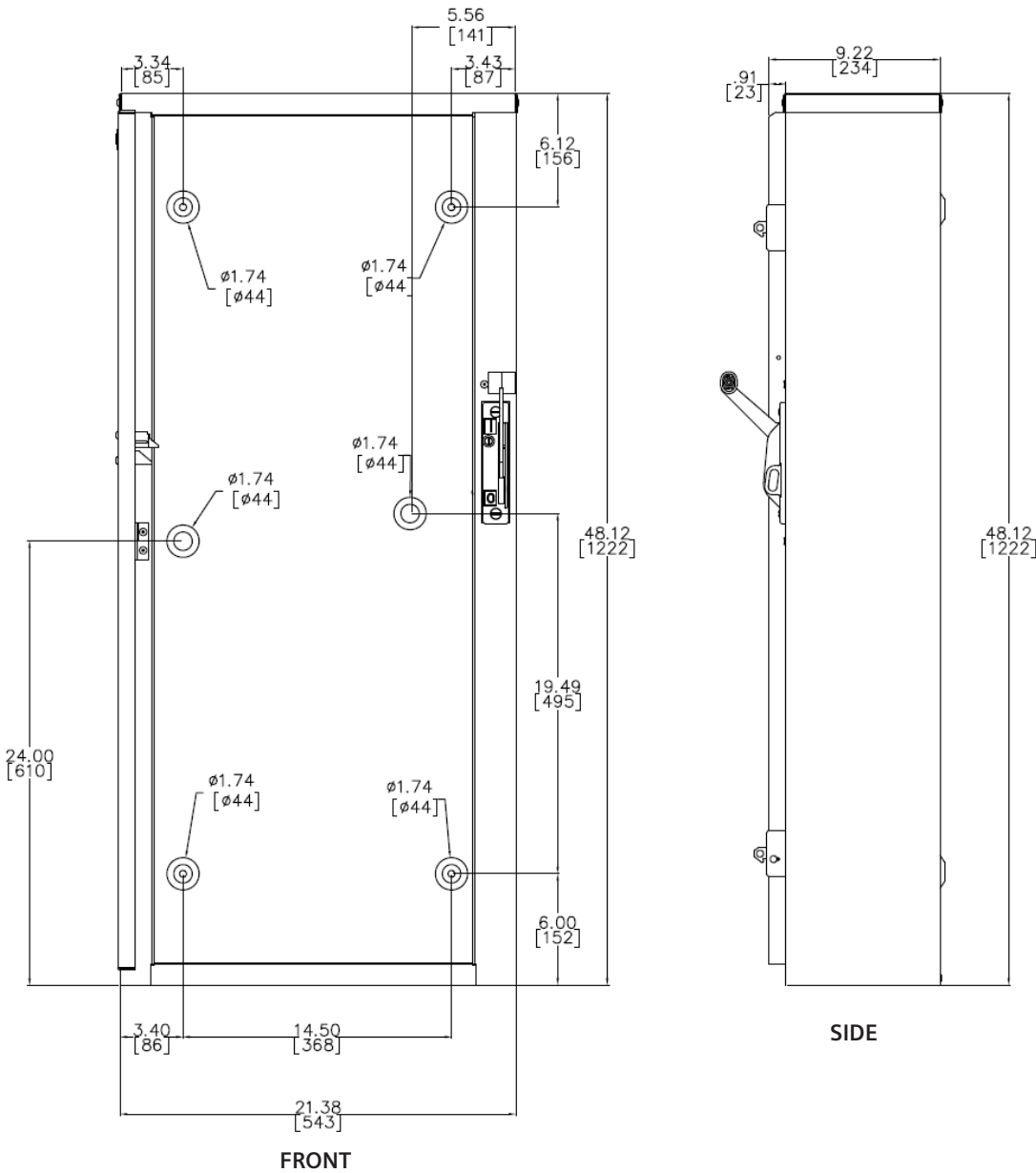
Accessories

| | |
|--------|---|
| RFAK6N | Type R fuse kit (Order one per pole) |
| N600ID | Neutral kit (Order one per 3-pole switch) |
| TFAK62 | Type T fuse kit 240V (Order one per pole) |
| TFAK65 | Type T fuse kit 600V (Order one per pole) |
| CLOBK6 | Replacement load base kit |
| CLIBK6 | Replacement line base kit |

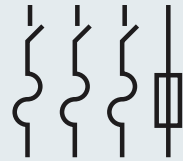
Lug size data

| Amp rating | Lugs/Pole | Wire range; Copper or Aluminium | |
|------------|-----------|--|---------|
| | | Line and load | Neutral |
| 600 | 2 | (1)1/0 to 750 MCM or (2)1/0 to 250 MCM | |

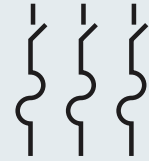
Dimension drawings – units: inches [mm]



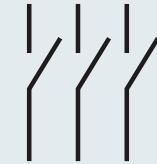
Wiring diagrams



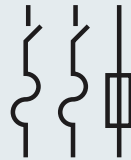
ID426



ID366



ID366NF



ID226

Siemens Canada Limited
 Energy Management Division
 Low Voltage & Products
 1577 North Service Road East
 Oakville, ON L6H 0H6

Customer Interaction Centre
 (888) 303-3353
 cic.ca@siemens.com

Subject to change without prior notice.
 Printed in Canada.
 © 2018 Siemens Canada Limited
 Order No: EM-LP-1523

The information provided in this flyer contains merely general descriptions or characteristics of performance which in case of actual use do not always apply as described or which may change as a result of further development of the products. An obligation to provide the respective characteristics shall only exist if expressly agreed in the terms of contract.

All product designations may be trademarks or product names of Siemens AG or supplier companies whose use by third parties for their own purposes could violate the rights of the owners.