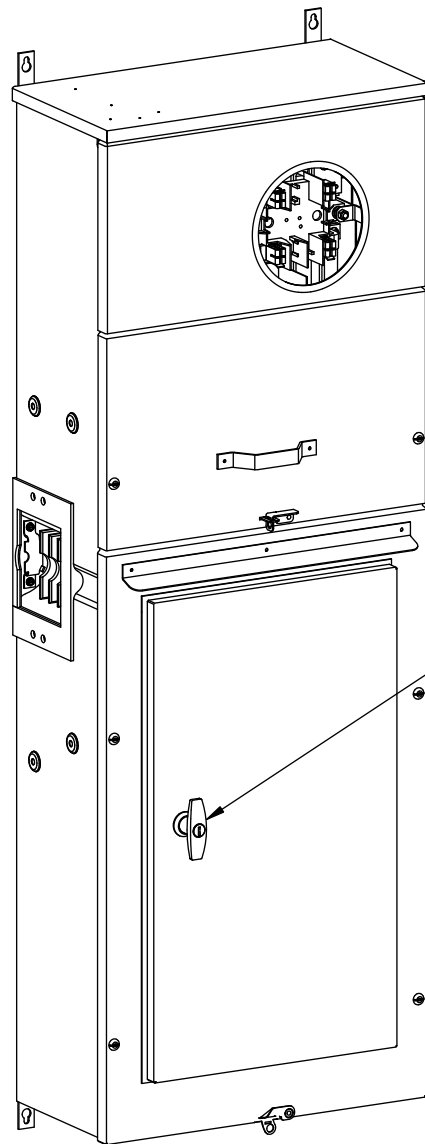


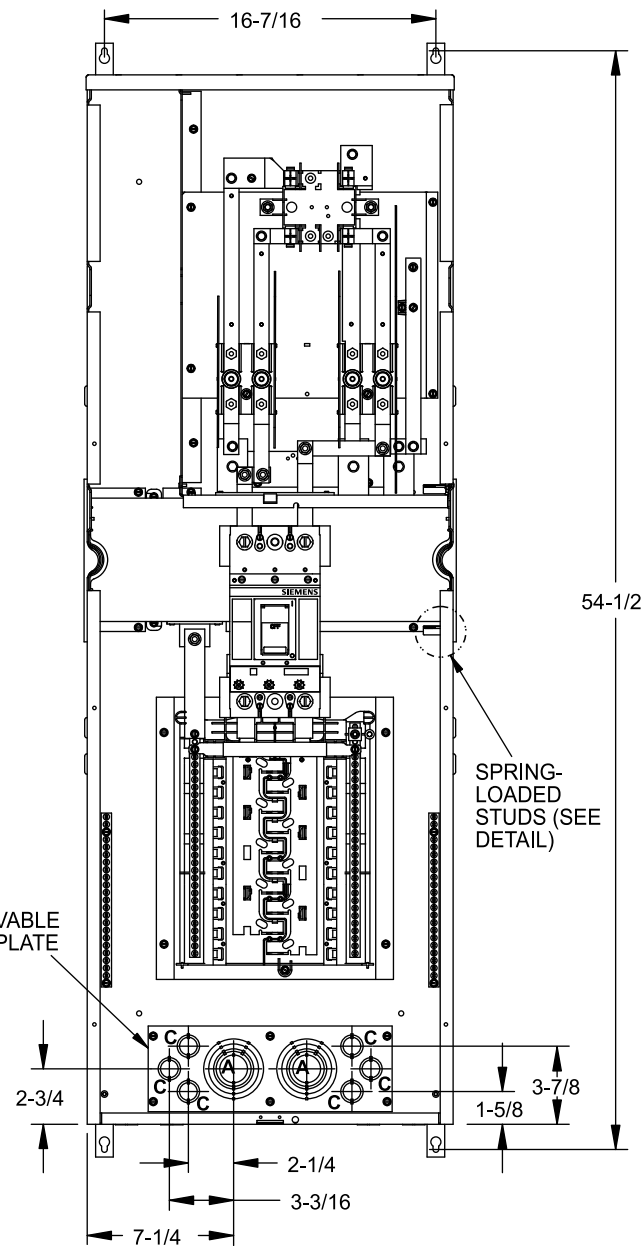
Catalog Numbers, Ratings and Features

Catalog No.	Meter Socket Cover	Main Bus, 1200A Max	Main Breaker		Max. 1" Breaker Positions	Max. Circuits	Jaws	Bypass Type
			Amps Max.	Catalog Number				
WCT2040B1T1	RING TYPE	1 Phase	225	HFD62B225	20	40	4	Test Block

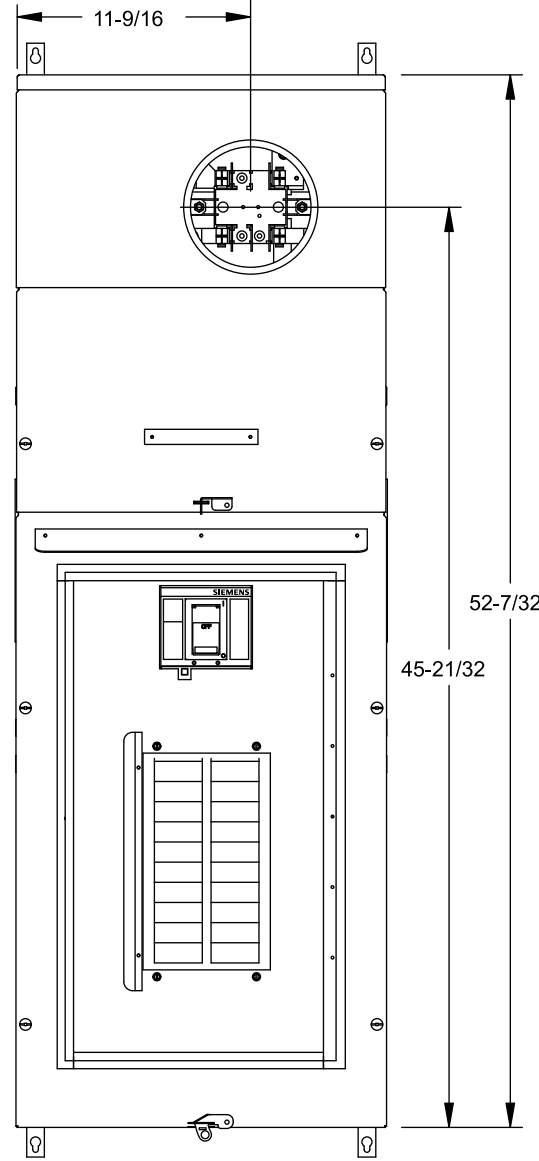
- Type 3R Outdoor Enclosure
- Main Bus Rating: 1200A Max.
- Meter Socket Rating: 200A Continuous
- 1 Phase In, 1 Phase Out
- 120/240 Volts AC, 1 Phase, 3 Wire
- 100K AIC Max. Short Circuit Current Rating
(See Wiring Diagram for Details)



View Shown with Covers Removed



View Shown with Door Removed



Circuit Breakers

Use Siemens Branch Breaker Types:
QP, QPH, HQP, QT, QAF, QAFH,
QAF2, QAF2H, HQAF2, QPF, QPFH,
QE, QEH, QNR, QNRH, HQNR

Additional Modules

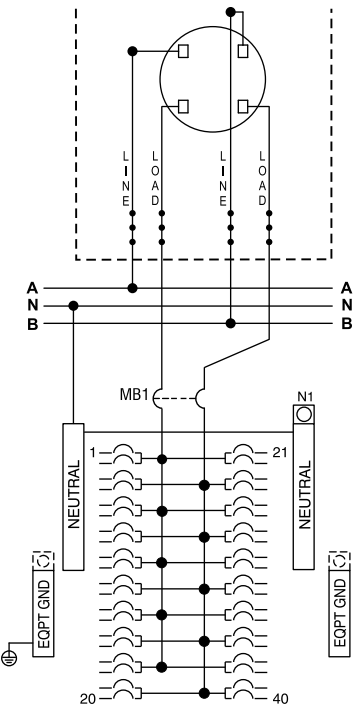
Connect Modules Using:
QuickConnect Catalog No: QC1
Torque: 400-440 lb-in (35-36 ft.-lb.)
Single Bolt Joint Catalog No: SBJ1
Torque: 400-480 lb-in (35-40 ft.-lb.)

Use with Module Siemens Series#
Main Breakers (W)MC, WB, WEB, WXB
Switches WMP, WMS, WS, WES
Tap/Terminal Boxes WMTB, WTB, WET, WT_PU
Pull Boxes WMMB
Meter Module (W)MM, WxMM, (W)MT,
(W)ML, (W)MK
Meter Combinations WC, WCL, WCT
Extension Box WMEX, WSP, WSPD
Bussed Elbow BE

Accessories

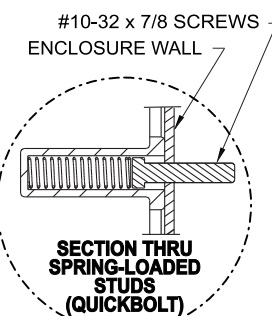
Accessories	Cat. No.
1" Filler Plate	ECQF3
SubFeed Lug Kit	ECLK2125
SubFeed Lug Kit	ECLK2225
Neutral Lug Kit	ECLK1-2
Neutral Lug Kit	ECLK2
End Closure Plate	WMEP
Meter Cover Plate	ECCP3
Mounting Tabs (2)	ECMFTAB
Back Rail/Clip	ECMFVLCCLIP
Mounting Rail	MMRAIL
Wall Mounting Rail (60")	MMZR60
Arc Flash Label	ECAFL

Schematic

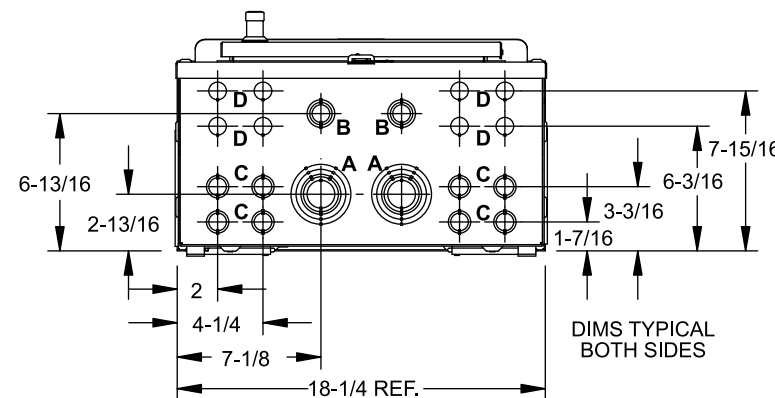


Terminal	Wire Size	Torque
N1	2/0 - #4 AWG	110 lb-in
Branch Breaker Terminals	See Markings on Breaker	
N1/Equip GND	#10 - #14 CU	20 lb-in
	#10 - #12 AL	20 lb-in
	#8	25 lb-in
	#6 - #4	35 lb-in
Ground Conductors Only	(2) or (3) #14 AWG	20 lb-in
	(2) #12-#10 AWG	20 lb-in
Ground Bar/Neutral Lug Kits		
ECLK1-2	2/0 - #2 AWG	45 lb-in
ECLK2	2/0 - #4 AWG	135 lb-in

WCT2040B1T1 Shown



Knockout Chart		
Designation	KO Size	Qty
A	2-1/2, 2, 1-1/2, 1-1/4, 1"	4
B	1, 3/4, 1/2"	2
C	3/4, 1/2"	14
D	1/2"	8



© 2013 Copyright Siemens Industry, Inc.

SIEMENS
Siemens Industry, Inc.

PowerMod™ Modular Metering

Catalog Numbers: **1in-1out, Test Block Bypass
4 Jaw, with 20 Position 40 Circuit Panel**

Size B Dwg. No. **TBB_1-1_NB**

Dwn KAM Date 2/8/13 DO NOT SCALE DRAWING SHEET 1 OF 1