

# General Duty Safety Switch

## Type VBII, 400 Amp, 240 Volts, Type 1 (Indoor)

### Standards and Ratings

- UL Listed under file #E4776
- Meets UL98 for switches and UL 50 for enclosures
- Meets NEMA Standard KS-1 for enclosed switches
- Meets NEC wire bending space requirements
- Rated 10,000 AIC with Class H fuses or 100,000 AIC with Class R, J and T fuses

- Suitable for use as service entrance equipment

### Features

- Quick-make and break switching action
- Visible blade design
- Highly visible ON/OFF indication
- Modular design allows quick and easy replacement of parts
- Single cover interlock

### General Information

Catalog Number	Description	Shipping Weight (lbs.)
GF225N <sup>1</sup>	2 Pole, 3 Wire, Fusible	153
GF325N	3 Pole, 4 Wire, Fusible	158

### Horsepower Ratings<sup>2</sup>

Catalog Number	1 Phase, 3 Wire, 240V AC		3 Phase, 3 Wire, 240V AC		250V DC
	Std	Max	Std	Max	
GF225N	15	15	50	125	50
GF325N	15	15	50	125	50

### Accessories

Catalog Number	Description
HG656	Equipment Ground Lug Kit
HN656	Neutral Kit
HR656	Class R Fuse Clip Kit (3 fuse clips per kit)

### Replacement Parts

Catalog Number	Description
HFB65 <sup>3 4</sup>	Fusible Line Side Replacement Base
HBB656 <sup>3 4</sup>	Fusible Load Side Replacement Base
HH65678	Replacement Handle/Handle Guard
HM65	Replacement Mechanism
HL65678 <sup>4</sup>	Replacement Lug (1 lug per kit)

### Mechanical Lug Wire Ranges (60/75°C, Cu/Al)

Description	Wire Range
Line, Load	1/0 AWG - 750 Kcmil
Neutral	or (2) 1/0 AWG - 250 Kcmil
Ground	(2) #6 AWG - 300 Kcmil

<sup>1</sup> These switches are UL Listed for application on grounded B phase systems.

<sup>2</sup> Dual horsepower ratings: Std - applies when non-time delay fuses are installed.  
Max - applies when time-delay fuses are installed.

<sup>3</sup> Each Line and Load Replacement Base contains one pole.

<sup>4</sup> Lugs are not provided on Line and Load Replacement Base Assemblies. Order Lug Kits.

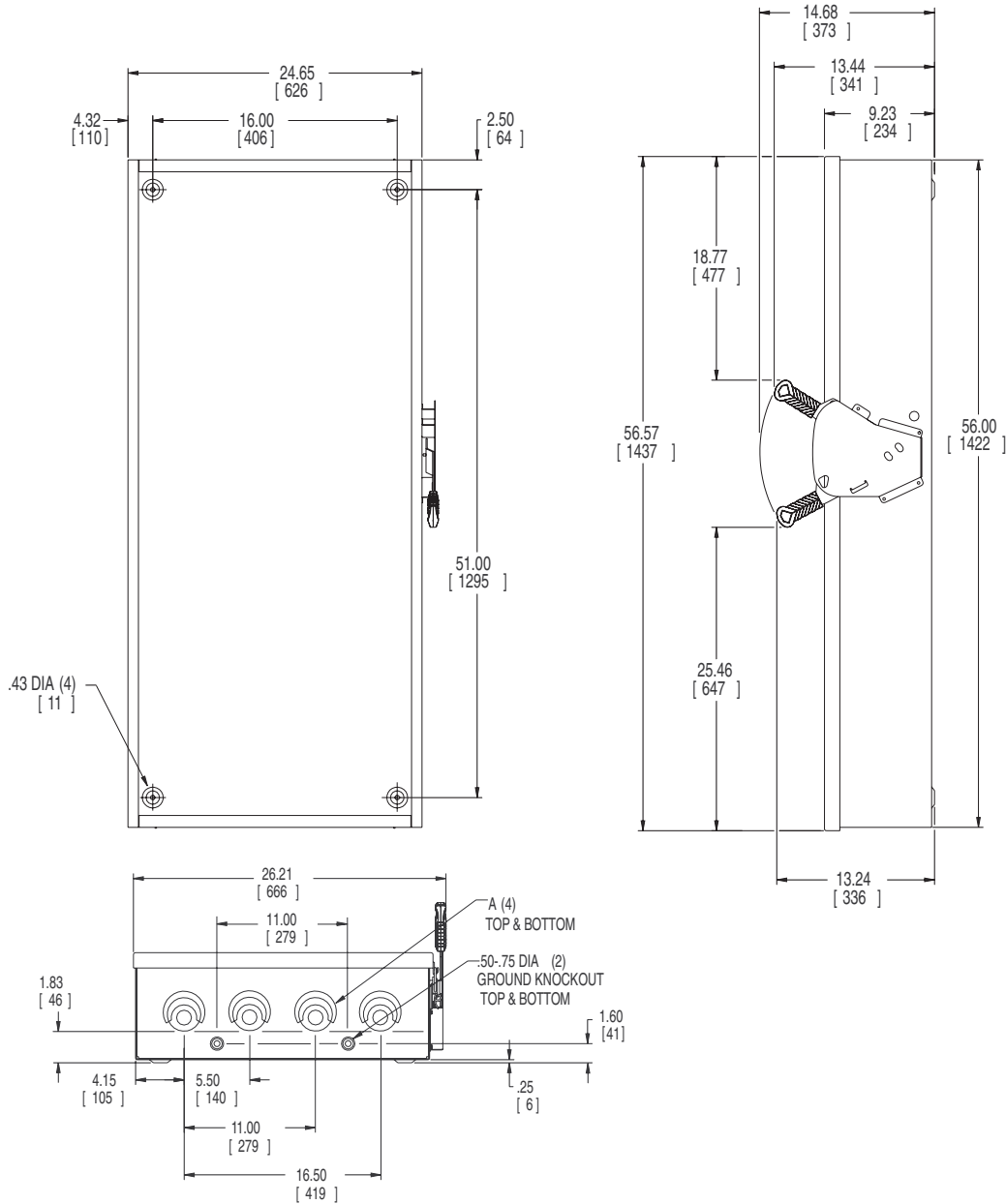
## Product Specification Sheet GD400.1

Answers for industry.

**SIEMENS**

# Product Specification Sheet #GD400.1 (page 2 of 2)

## Dimension Drawing



Dimensions shown in inches and millimeters ( ).  
Dimension shown accurate to  $\pm \frac{1}{8}$  inch.

KNOCKOUT CODE	CONDUIT SIZE			
	2.00	2.50	3.00	3.50
A (Tangential)				

	LINE SIDE WIRE BEND	LOAD SIDE WIRE BEND
	Fused	17.35 (441)

Enclosure: Cold Rolled Steel  
.075 Thick (14 Gauge)  
Finish: ANSI Grey #61 Paint