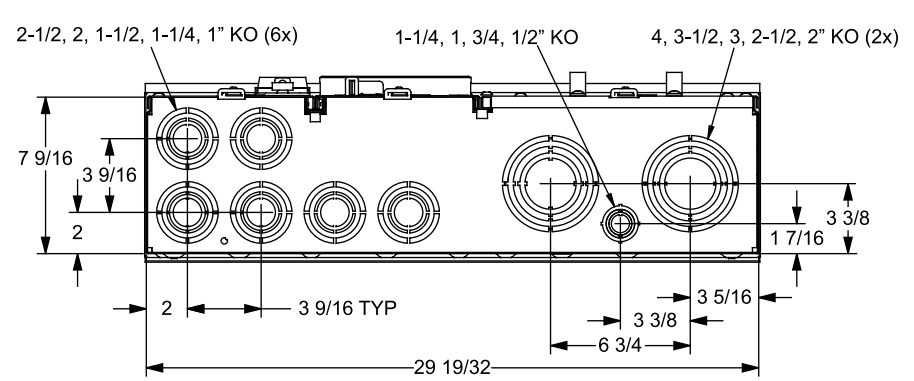
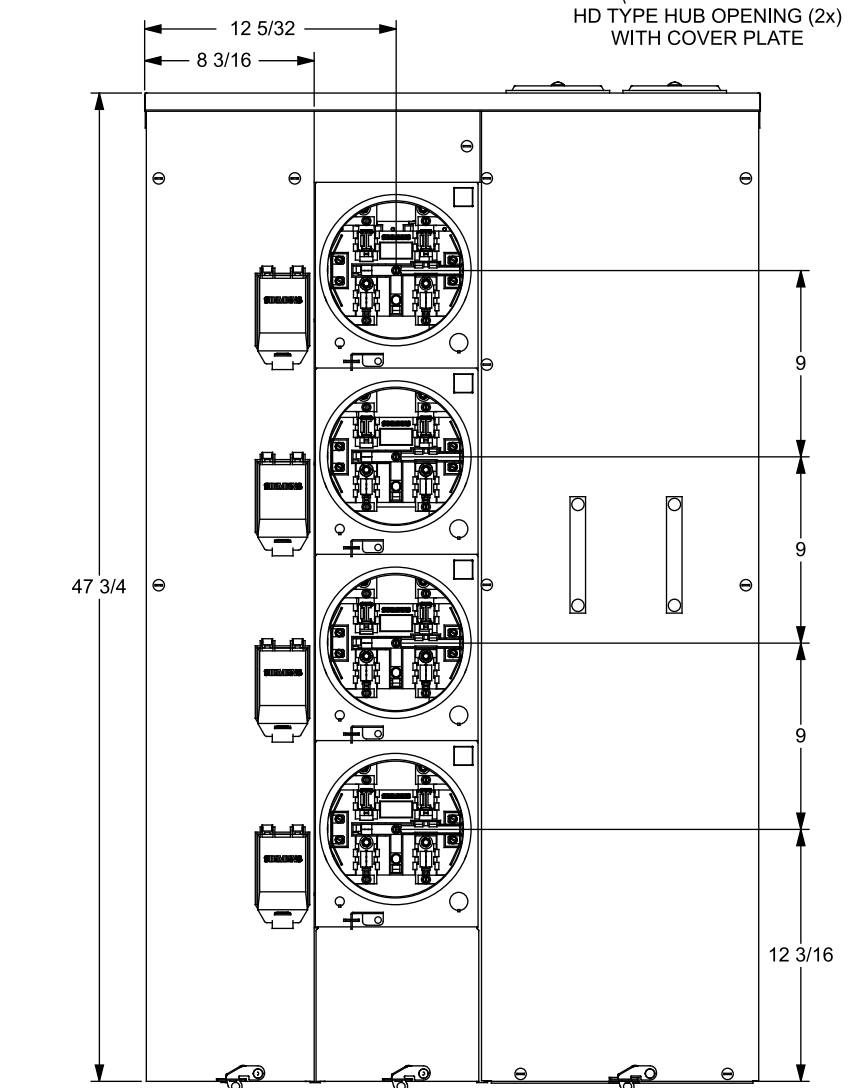
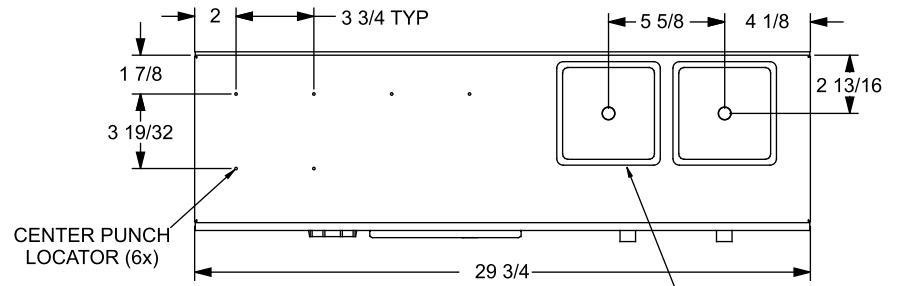
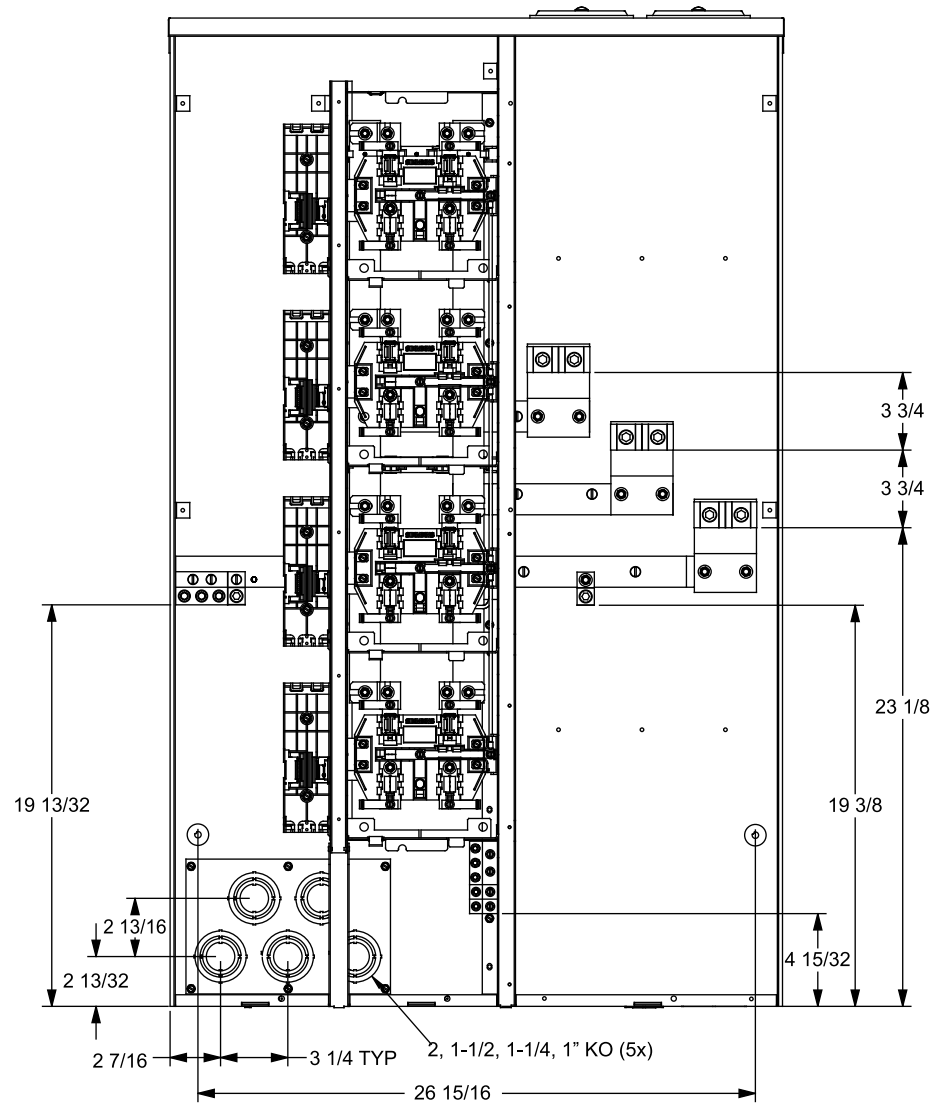


Catalog Numbers, Features and Ratings

Catalog Number	Max. Bus Rating	Max. Meter Socket Rating	AIC Rating Max.	Max. Branch Rating	Meter Positions	Meter Socket Cover	5th Jaw Installed	Horn Bypass Installed
WP6412	600A	200A Cont.	100,000	225A*	4	Ring Type	No	N/A
WP6412RJ	600A	200A Cont.	100,000	225A*	4	Ringless	Yes	No
WP6412RJB	600A	200A Cont.	100,000	225A*	4	Ringless	Yes	Yes

- 120/240 V~, 1 PHASE, 3 WIRE
208Y/120 V~, 1 PHASE, 3 WIRE (5TH JAW MAY BE REQUIRED)
- SUITABLE ONLY FOR USE AS SERVICE EQUIPMENT.
- TYPE N3R OUTDOOR ENCLOSURE
MATERIAL/FINISH: ANSI 61 GRAY BAKED POWDER COAT PAINT OVER G-90 GLAVANIZED, PHOSPHATIZED STEEL

VIEW SHOWN WITH COVERS REMOVED

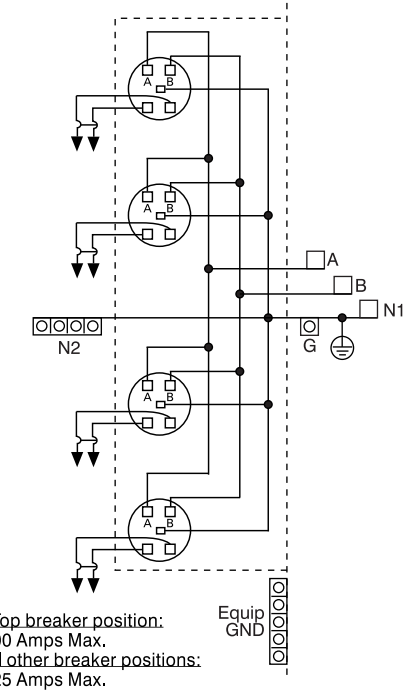


Terminal Wire Sizes and Torques

(refer to schematic)

Terminal	Wire Size	Torque
A, B, N1	(2) 600 kcmil-#2 AWG	375 LB-IN
N2, G	300 kcmil - #4 AWG	275 LB-IN
Equip GND	#2/0 - 4 AWG	110 LB-IN
Alt. Lug Kit WPLK2600	(3) 300 kcmil-#4 AWG	275 LB-IN

Schematic



Accessories and Replacement Parts

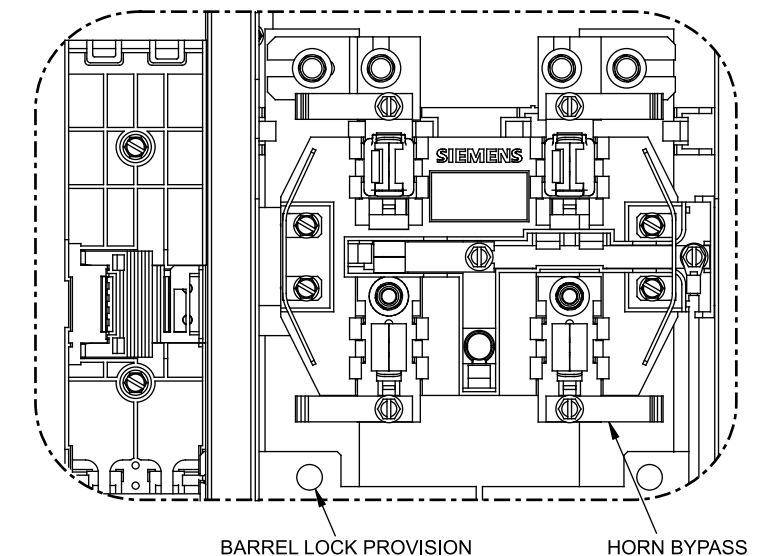
Description	Catalog No.
Horn By-Pass	ECMFH
5th Jaw	ECMF5
5th Jaw, Insulated	ECMF5i
Meter Cover Plate, Ringless	ECCP3
Meter Cover Plate, Ring Type	ECPP
Meter Socket	ECMFS
125A Breaker Mounting	ECMFBM1
225A Breaker Mounting	ECMFBM2
Meter Cover, Ring Type	ECMFMC
Meter Cover, Ringless	ECMFMCR
Load Cover Screws	ECMFCS
Bottom Pull Cover	ECMFC
Quick Phase Strap	ECMFPS
Breaker Cover Repl.	ECBC
Ringless Conversion Kit	ECMMLCK
QP Breaker Retainer	ECMBR2

Hubs

Trade Size (in)	Catalog No.
2"	EC56854
2-1/2"	EC56855
3"	EC56856
3-1/2"	EC56857
4"	EC56858
Closure Plate	EC56933S

Use HD Type Hubs if required

Enlarged Socket Detail



Cat. No. WP6412RJB SHOWN

SIEMENS Siemens Industry, Inc.	
Uni-PAK Metering	
Description: WP Series 600A Bus, 4 Position, 200A Meter	
KAM 10/21/11	DO NOT SCALE DRAWING
Dwg No:	WP6412x