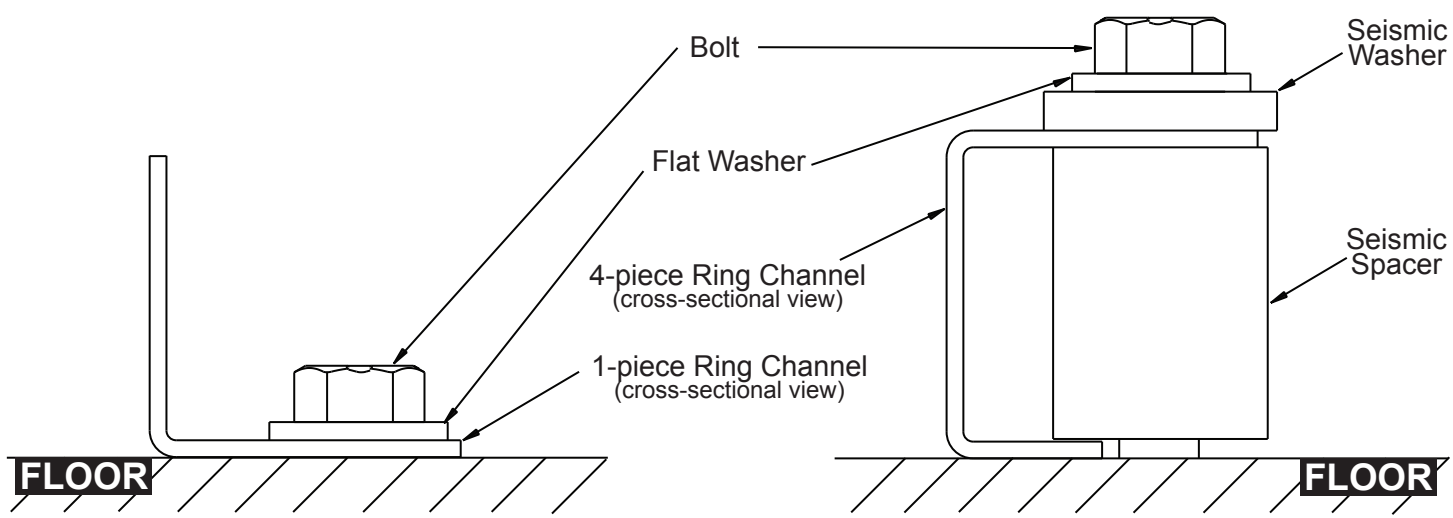
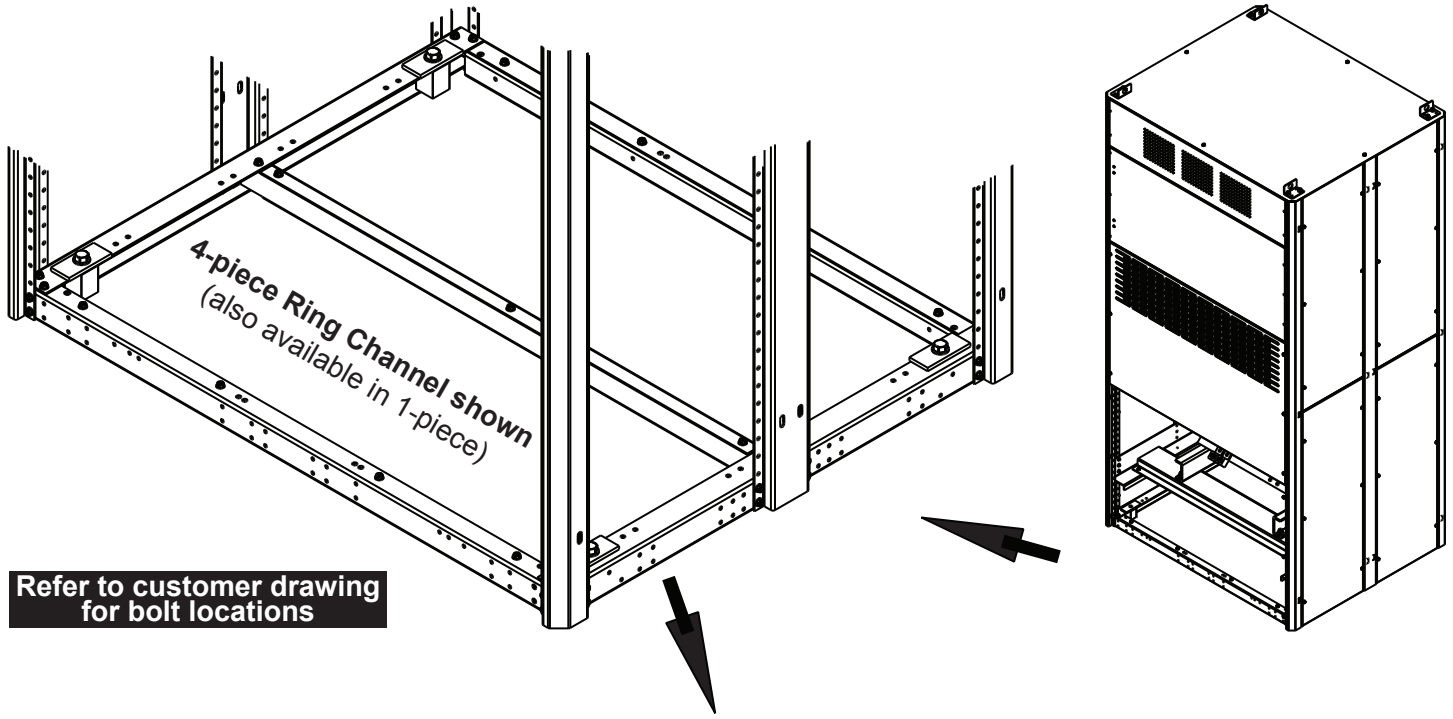


SIEMENS

⚠ DANGER
Hazardous voltage. Will cause death or serious injury.
Keep out. Qualified personnel only. Disconnect and lock off all power before working on this equipment.



Switchboard Seismic Bolt-Down Instructions



1/2" Grade 5 Hardware provided by Customer

Contact Siemens Sales Office if considering usage in applications other than as shown.

These instructions do not purport to cover all details or variations in equipment, or to provide for every possible contingency to be met in connection with installation, operation or maintenance. Should further information be desired or should particular problems arise, which are not covered sufficiently for the purchaser's purposes, the matter should be referred to the local Siemens sales office. The contents of this Instruction manual shall not become part of or modify any prior or existing agreement, commitment or relationship. The sales contract contains the entire obligation of Siemens. The warranty contained in the contract between the parties is the sole warranty of Siemens. Any statements contained herein do not create new warranties or modify the existing warranty.

Trademarks—Unless otherwise noted, all names identified by © are registered trademarks of Siemens AG or Siemens Industry, Inc. The remaining trademarks in this publication may be trademarks whose use by third parties for their own purposes could violate the rights of the owner.