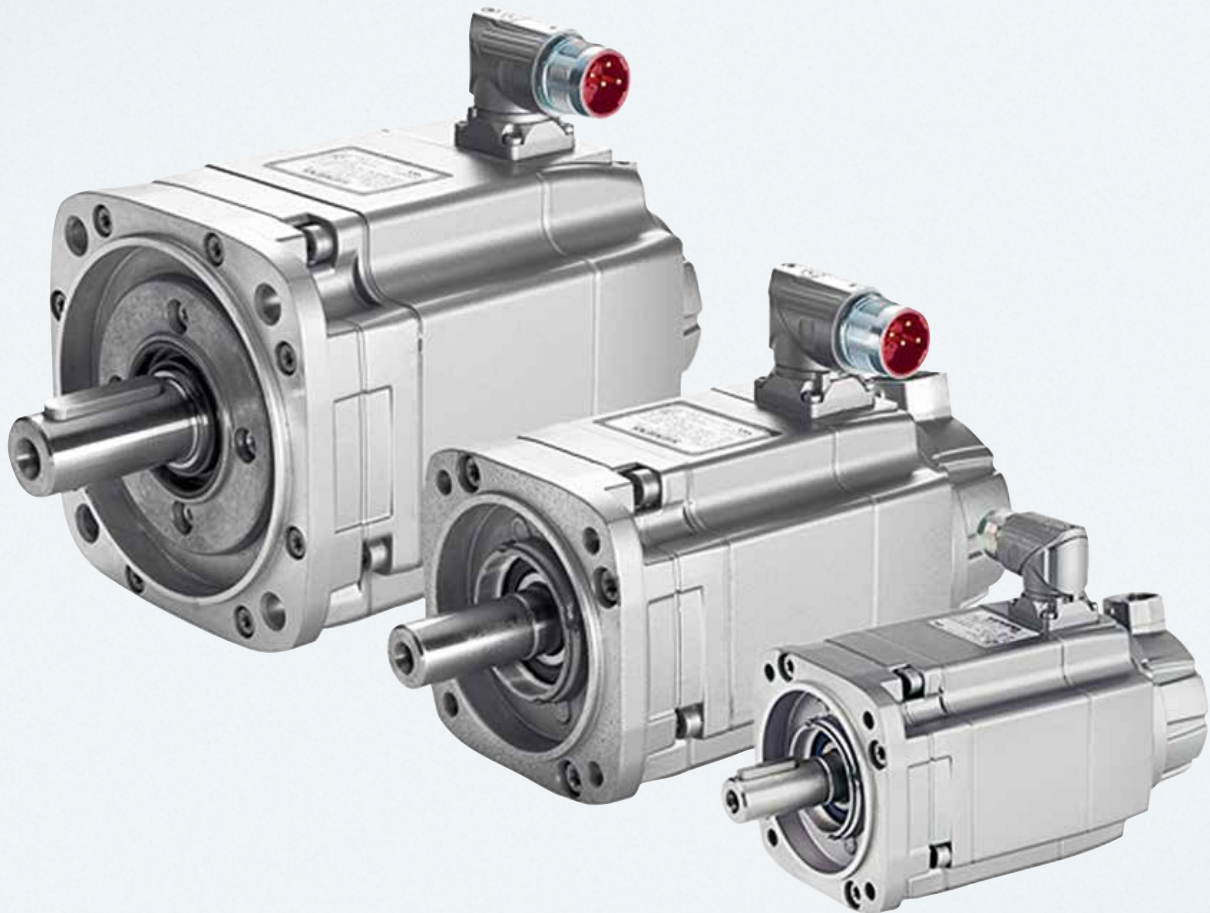


SIEMENS

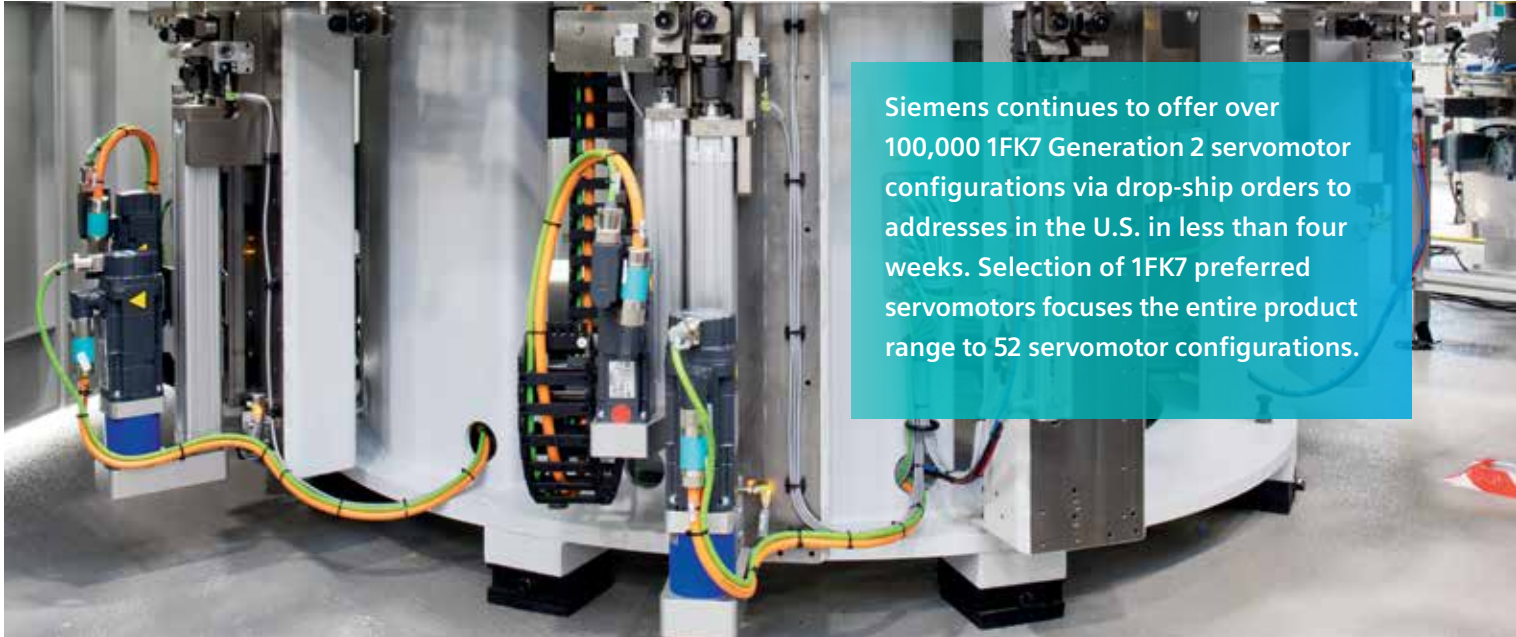
Ingenuity for life



SIMOTICS S-1FK7 preferred servomotor

Less than four weeks delivery program for
all countries to assist machine exporters

usa.siemens.com/simotics-s



Siemens continues to offer over 100,000 1FK7 Generation 2 servomotor configurations via drop-ship orders to addresses in the U.S. in less than four weeks. Selection of 1FK7 preferred servomotors focuses the entire product range to 52 servomotor configurations.

From order to your door—innovative motion control

Under this new program expansion, customers in any country can order SIMOTICS S-1FK7 preferred servomotors for delivery in less than four weeks.

Customer benefits of selecting 1FK7 preferred servomotors include:

- Reduced quantity and inventory cost of spare servomotors to support existing machines
- Replacement and spare servomotors are locally available in all countries in less than four weeks
- Express delivery of replacement motors eligible in “machine down” situation via Siemens servomotor repair centers
- Siemens stock in the U.S. of established high volume servomotors

Which preferred servomotors are stocked in the United States?

1FK70322AK711RG0	Mo 1.15 Nm; nN 6,000 rpm; Multi-turn encoder; plain shaft; w/o holding brake; IP64
1FK70322AK711RH0	Mo 1.15 Nm; nN 6,000 rpm; Multi-turn encoder; plain shaft; with holding brake, IP64
1FK70422AF711RG0	Mo 3 Nm; nN 3,000 rpm; Multi-turn encoder; plain shaft; w/o holding brake; IP64
1FK70422AF711RH0	Mo 3 Nm; nN 3,000 rpm; Multi-turn encoder; plain shaft; with holding brake, IP64
1FK70602AF711RG0	Mo 6.9 Nm; nN 3,000 rpm; Multi-turn encoder; plain shaft; w/o holding brake; IP64
1FK70602AF711RH0	Mo 6.9 Nm; nN 3,000 rpm; Multi-turn encoder; plain shaft; with holding brake, IP64
1FK70632AF711RG0	Mo 11 Nm; nN 3,000 rpm; Multi-turn encoder; plain shaft; w/o holding brake; IP64
1FK70632AF711RH0	Mo 11 Nm; nN 3,000 rpm; Multi-turn encoder; plain shaft; with holding brake, IP64

Why does the program work for you, our customer?

As leaders in motion control, Siemens strives to provide the highest value to its customers by helping them get to market faster. Siemens stocks its SINAMICS S120 drives system in the United States, which allows you to have a complete motion control system in less than four weeks.

Why choose Siemens?

SIMOTICS S-1FK7 servomotors are the ideal choice for motion control applications where a final position must be reached very quickly and precisely. Thanks to their high torque density and low moment of inertia, your productivity can be significantly increased with shorter machining cycles. Process and product quality are also improved through the use of 1FK7 servomotors. Their extremely accurate encoder systems allow high-precision interpolation, camming and point-to-point positioning.

Typical applications for SIMOTICS S-1FK7 servomotors include:

- Machines with fast motion control movements such as packaging machines (form fill and seal machines or stackers)
- Maximum acceleration/deceleration control for material handling (pick-and-place machines)
- Applications with highly accurate and coordinated speed control including converting (winders and un-winders)
- Axes that require high positioning or path accuracy such as CNC-equipped machine tools (feeding axis in CNC machines)

Want more information?

Point your web browser to usa.siemens.com/distributorlocator.

How to select SIMOTICS S-1FK7 preferred servomotors

Using SIZER, select "Dimension Preferred Types", and activate filter to display only 1FK7 servomotors. Reference this table for the complete menu of 1FK7 preferred servomotors.

SIMOTICS S-1FK7 preferred types	M_N	M_0	M_{max}	I_N	I_{max}	n_N
Order number	[Nm]	[Nm]	[Nm]	[A]	[A]	rpm
1FK7022-5AK71-1Vy3	0.6	0.85	3.4	1.4	8	6,000
1FK7032-2AK71-1xy0	0.8	1.15	4.5	1.3	6.5	6,000
1FK7042-2AF71-1xy0	2.6	3	10.5	2	7.6	3,000
1FK7060-2AF71-1xy0	4.7	6	18.0	3.7	15	3,000
1FK7063-2AF71-1xy0	7.3	11	35.0	5.6	28	3,000
1FK7083-2AC71-1xy0	12.5	16	50.0	6.3	27.5	2,000
1FK7101-2AC71-1xy0	20.5	27	80.0	9.7	40.5	2,000

Explanation of table

M_N	rated motor torque
M_0	static torque
M_{max}	maximum torque
I_N	rated current
I_{max}	maximum current
n_N	rated speed

Absolute encoder

V	AM15DQ multi-turn
X→ Q	AS20DQI single-turn
X→ R	AM20DQI multi-turn

Holding brake and shaft version

y→ A	Feather key + keyway without holding brake
y→ B	Feather key + keyway with holding brake
y→ G	Plain shaft, without holding brake
y→ H	Plain shaft, with holding brake

There's more to it.

usa.siemens.com/simotics-s

**Everything about our SIMOTICS S-1FK7 servomotor
can be found online.**

**Published by
Siemens Industry, Inc.**

5300 Triangle Parkway, Suite 100
Norcross, GA 30092

1-800-879-8079

Order No. DRPA-S1FK7-0718

Printed in USA

© 2018 Siemens Industry, Inc.

usa.siemens.com/motioncontrol

This brochure contains only general descriptions or performance features, which do not always apply in the manner described in concrete application situations or may change as the products undergo further development. Performance features are valid only if they are formally agreed upon when the contract is closed.

Siemens is a registered trademark of Siemens AG. Product names mentioned may be trademarks or registered trademarks of their respective companies. Specifications are subject to change without notice.