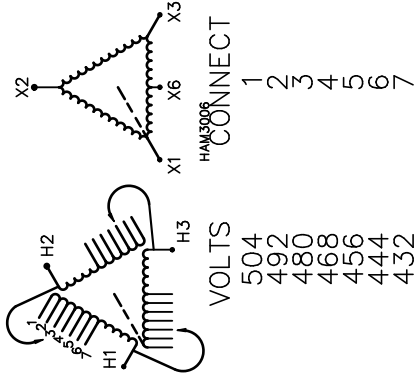


SIEMENS

CATALOG NO. 3F1Y112D16
 SERIAL NO. SERIES H
 112.5 kVA 60 Hz 3 PHASE
 5.8 % IMP AT 170 °C

150 °C RISE 30 °C AVG. AMBIENT
 220 °C TEMP CLASS 40 °C MAX. AMBIENT
 PRIMARY (H1 H2 H3) 480V V 10 kV BIL
 SECONDARY(X1 X2 X3) 240V V 10 kV BIL
 WINDING MATERIAL AL
 ENCLOSURE TYPE 3R WEIGHT 665 LBS
 ENERGY EFFICIENCY EXCEEDS CSA DOE 10 CFR PART 431:2016
 C802.2-2012



SPACINGS BETWEEN ANY VENTILATED ENCLOSURE PANEL AND ANY ADJACENT WALL SHALL BE A MINIMUM OF 5 INCHES EXCEPT WHEN WALL MOUNTED USING APPROVED WALL MOUNTING KIT X6=120V CT, 5% OF KVA RATING MAXIMUM

SUITABLE FOR INDOOR OR OUTDOOR LOCATIONS BEFORE HANDLING, INSTALLING AND OPERATING, SEE INSTRUCTION MANUAL

NEMA Class **ANN** Dry Type Transformer Siemens Industry, Inc. Norcross, GA ds00066

LISTED

UL
 DRY TYPE TRANSFORMER
 7705 E112313

TYPE K

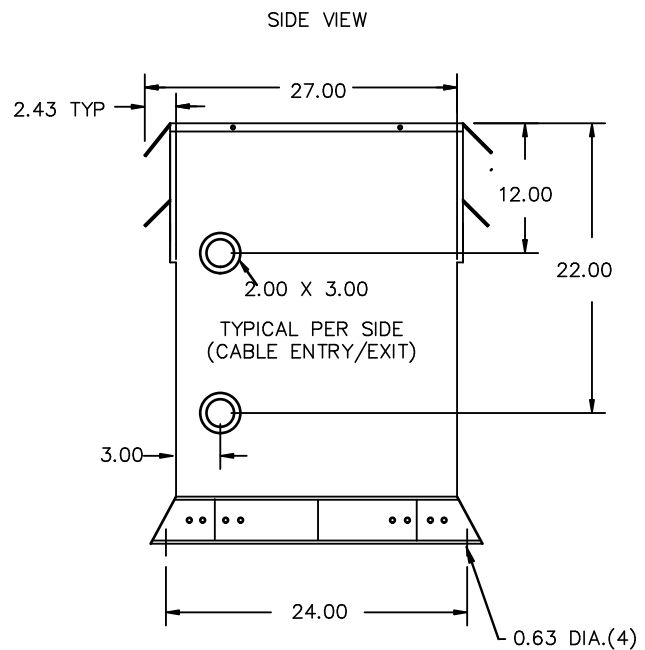
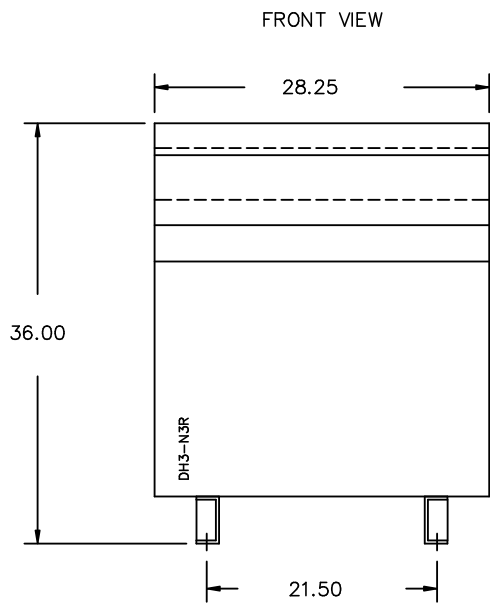
SR LR 3902

SEISMIC QUALIFICATIONS, FLOOR MOUNT ONLY
 OSP-0136-10 IBC 2012/ASCE 7-10
 SDS<=2.0g Z/h=1 Ip=1.5



REVISION	DATE	BY	DATE	BY
		DRAWN	15/11/09	JW
		CHEK'D		
		VERIF'D		

Confidential - Property of Siemens Industry, Inc.		
CUSTOMER		
ORDER NO.	DWG. NO.	
	3F1Y112D16	SH 1 OF 2



All Dimensions in inches

ENCLOSURE COLOR :ANSI 61 GREY – OUTDOOR

H.V.1. TERMINAL DETAIL

L.V.1. TERMINAL DETAIL

MECHANICAL TYPE LUGS INCLUDED
SUITABLE FOR 250MCM-6 CU/AL
CONDUCTORS
1 CONDUCTOR PER PHASE

MECHANICAL TYPE LUGS INCLUDED
SUITABLE FOR 600MCM-2 CU/AL
CONDUCTORS
1 CONDUCTOR PER PHASE

CUSTOMER NOTES:
- HV1 TERMINATED AT TOP FRONT
- LV1 TERMINATED AT BOTTOM FRONT

Confidential – Property of
Siemens Industry, Inc.

REVISION	DATE	BY	DATE	BY
			DRAWN 15/11/09	JW
			CHEK'D	
			VERIF'D	

CUSTOMER	
ORDER NO.	DWG. NO. 3F1Y112D16
SH 2 OF 2	

0.0 jwen 2015/11/09 11:33