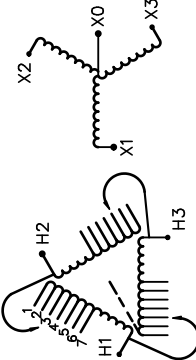




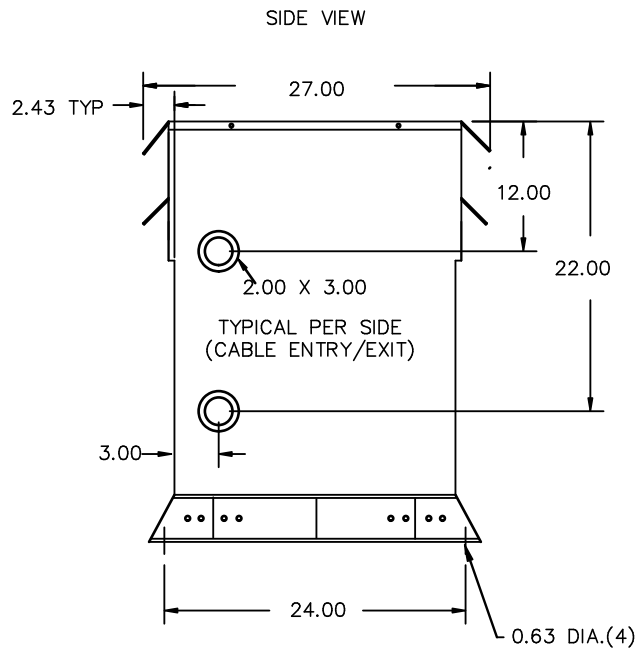
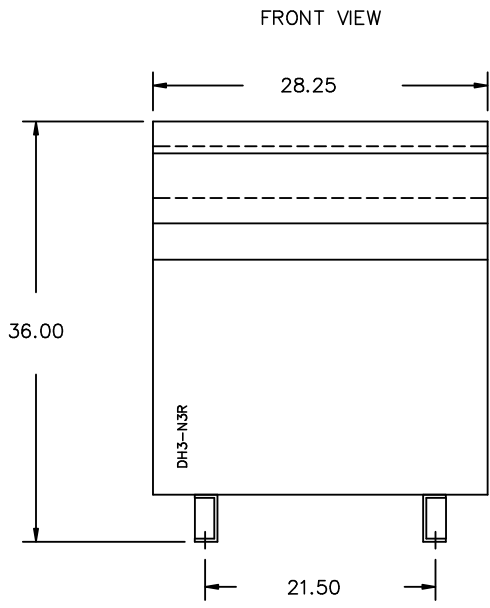
# SIEMENS

CATALOG NO. 3B3Y075CD16BA SERIAL NO. SERIES H 75 kVA 60 Hz 3 PHASE 4.1 % IMP AT 170 °C			
150 °C RISE 30 °C AVG. AMBIENT 220 °C TEMP CLASS 40 °C MAX. AMBIENT		VOLTS CONNECT 218 1 213 2 208 3 203 4 198 5 192 6 187 7	
PRIMARY ( H1 H2 H3 ) 208 V 10 kV BIL SECONDARY( X0 X1 X2 X3 ) 208Y/120 V 10 kV BIL			
WINDING MATERIAL CU			
ENCLOSURE TYPE 3R WEIGHT 610 LBS			
ENERGY EFFICIENCY EXCEEDS CSA C802.2-2012 DOE 10 CFR PART 431:2016			
SPACINGS BETWEEN ANY VENTILATED ENCLOSURE PANEL AND ANY ADJACENT WALL SHALL BE A MINIMUM OF 5 INCHES EXCEPT WHEN WALL MOUNTED USING APPROVED WALL MOUNTING KIT		TYPE K DRY TYPE TRANSFORMER  77UL E112313  LR 3902 LISTED	
SUITABLE FOR INDOOR OR OUTDOOR LOCATIONS BEFORE HANDLING, INSTALLING AND OPERATING; SEE INSTRUCTION MANUAL		SEISMIC QUALIFICATIONS, FLOOR MOUNT ONLY OSP-0136-10 IBC 2012/ASCE 7-10 SDS<=2.0g z/h=1 p=1.5	
NEMA Class ANN Dry Type Transformer		Siemens Industry, Inc. Norcross, GA <small>dsu0086e</small>	



REVISION	DATE	BY	DATE	BY
		DRAWN	16/10/07	GP
		CHEK'D		
		VERIF'D		

Confidential - Property of <b>Siemens Industry, Inc.</b>	
CUSTOMER	
ORDER NO.	DWG. NO.
	3B3Y075CD16BA
	SH 1 OF 2



All Dimensions in inches

ENCLOSURE COLOR :ANSI 61 GREY – OUTDOOR

H.V.1. TERMINAL DETAIL

L.V.1. TERMINAL DETAIL

MECHANICAL TYPE LUGS INCLUDED  
SUITABLE FOR 600MCM-2 CU/AL  
CONDUCTORS  
1 CONDUCTOR PER PHASE

MECHANICAL TYPE LUGS INCLUDED  
SUITABLE FOR 600MCM-2 CU/AL  
CONDUCTORS  
1 CONDUCTOR PER PHASE

CUSTOMER NOTES:

- HV1 TERMINATED AT TOP FRONT
- LV1 TERMINATED AT BOTTOM FRONT

Confidential – Property of  
**Siemens Industry, Inc.**

REVISION	DATE	BY	DATE	BY
			16/10/07	GP

CUSTOMER	
ORDER NO.	DWG. NO.
	3B3Y075CD16BA
	SH 2 OF 2

0.0 gpatel 2016/10/07 11:59