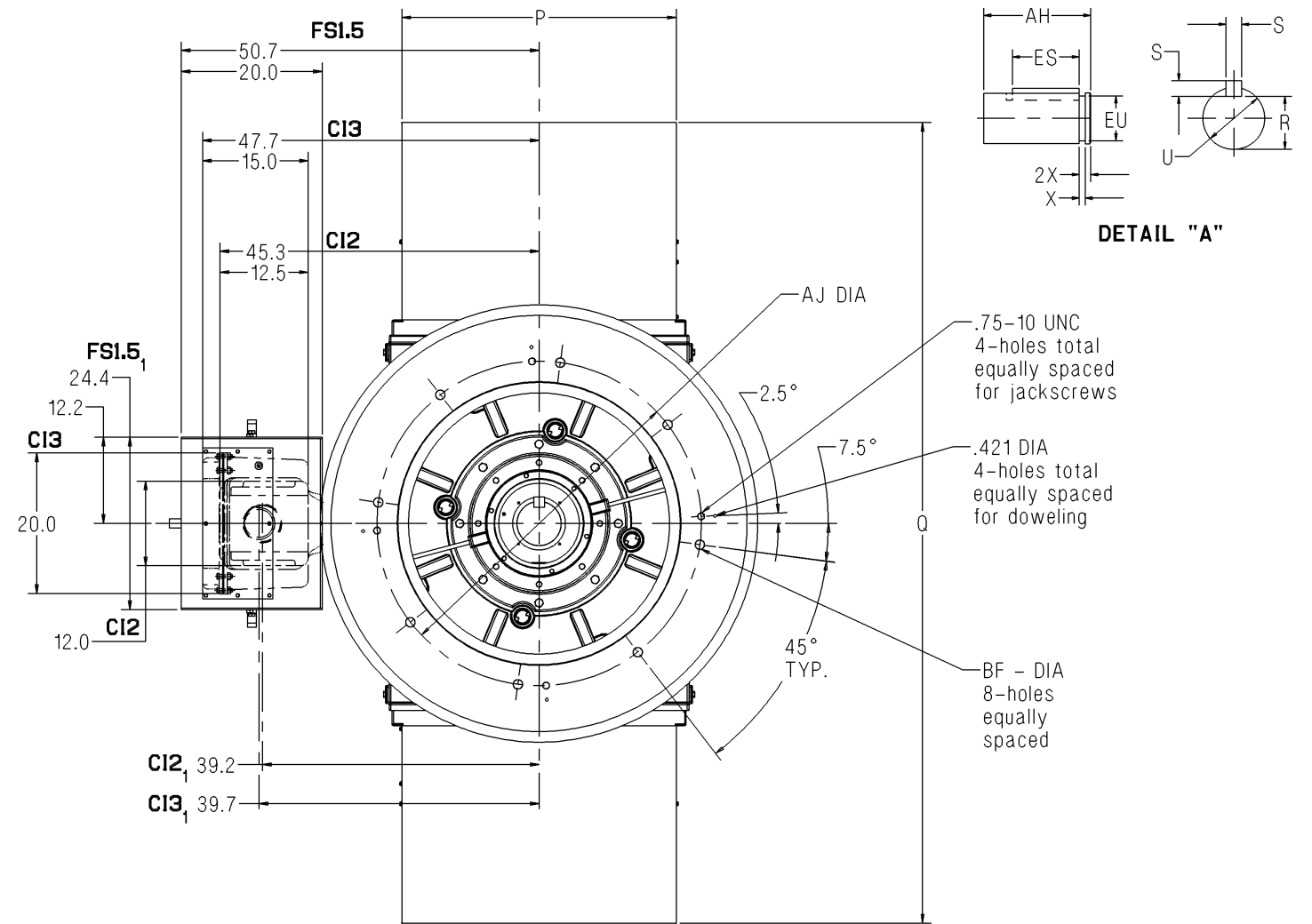
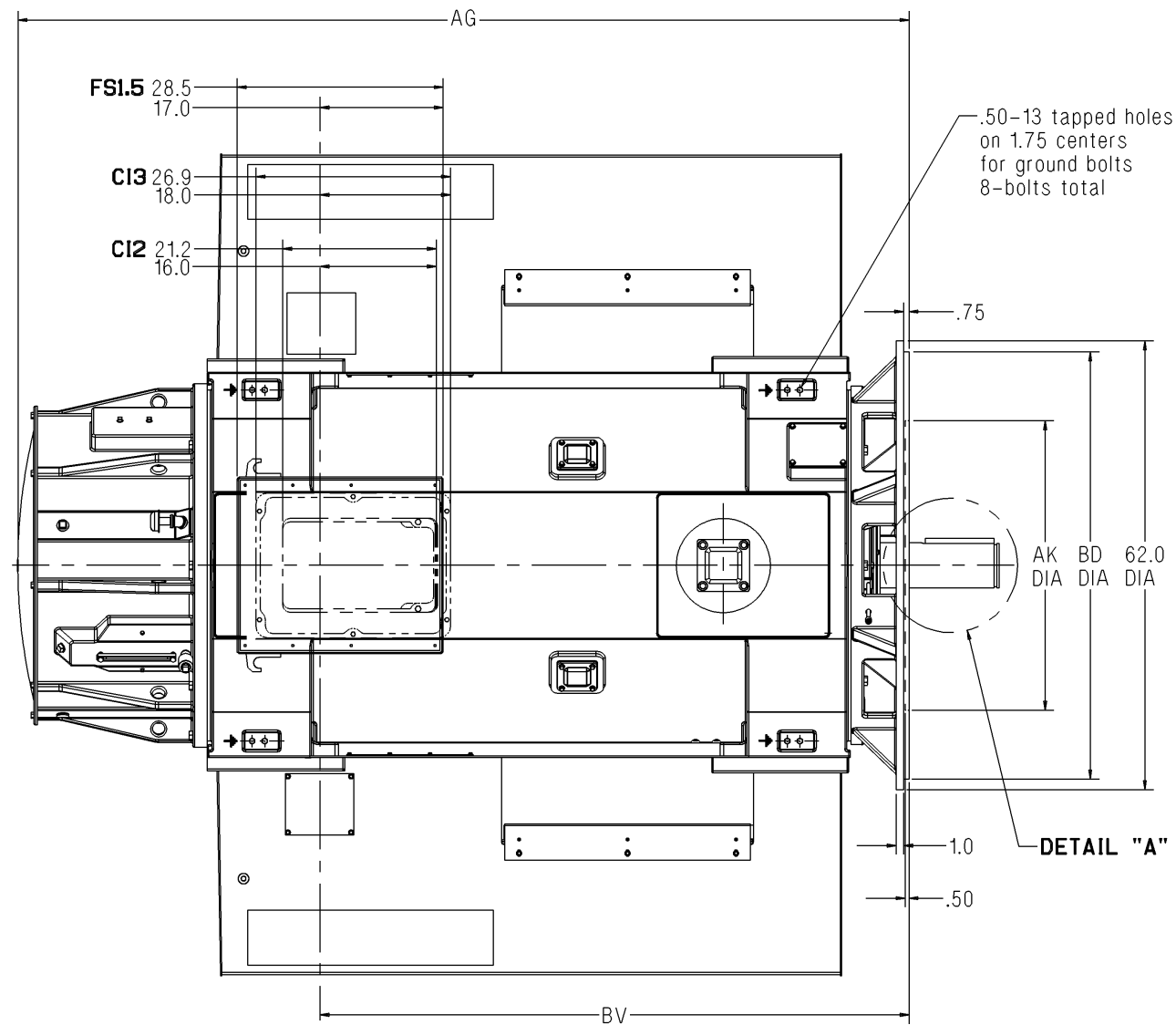


# SIEMENS

Dimension Prints for Above NEMA Motors

Type CGV - Vertical Solid Shaft - Open Drip Proof / Weather Protected Type I  
 P Flange - Anti-Friction Bearing  
 Frames 680 / 800 / 1120 - 4 Pole - Rotatable Main Conduit Box



**Notes:**

1. Main conduit box may be rotated in steps of 90°.  
 A removable bottom plate is supplied on the FS1.5 conduit box.  
 A 5.0 N.P.T. is supplied on the CI2 and CI3 conduit boxes.
2. Machines may rotate in one direction only.
3. Adding a rotating labyrinth seal to the drive end does not change any dimensions.

**Standard Dimensions in Inches**

| Frame | AG    | AH    | BV   | ES   | EU   | R     | S    | U     | X     | P    | Q     | BD    | AJ    | AK    | BF    | Approx. Ship Wt. (Lbs) |
|-------|-------|-------|------|------|------|-------|------|-------|-------|------|-------|-------|-------|-------|-------|------------------------|
| 680   | 111.3 | 12.50 | 69.4 | 9.50 | 5.50 | 5.409 | 1.50 | 6.250 | 0.750 | 39.0 | 108.0 | 59.00 | 46.00 | 40.00 | 1.312 | 22800                  |
| 800   | 124.0 | 12.50 | 81.4 | 9.50 | 5.50 | 5.409 | 1.50 | 6.250 | 0.750 | 39.0 | 114.5 | 59.00 | 46.00 | 40.00 | 1.312 | 29900                  |
| 1120  | 124.0 | 12.50 | 81.4 | 9.50 | 5.50 | 5.409 | 1.50 | 6.250 | 0.750 | 39.0 | 120.0 | 59.00 | 46.00 | 40.00 | 1.312 | 37200                  |

**Certification:** Customer \_\_\_\_\_ P.O. \_\_\_\_\_ S.O. \_\_\_\_\_ Item \_\_\_\_\_  
 HP \_\_\_\_\_ RPM \_\_\_\_\_ Frame \_\_\_\_\_ PH/HZ/Volts 3/\_\_\_\_\_/\_\_\_\_\_  
 By \_\_\_\_\_ Date \_\_\_\_\_ Terminal Box Size CI2  CI3  FS1.5

Comments \_\_\_\_\_  
 Not for construction, installation or application purposes unless certified.

CGV\_680-800-1120\_4PL\_AF\_ROT  
 Revision 02  
 02/09/09