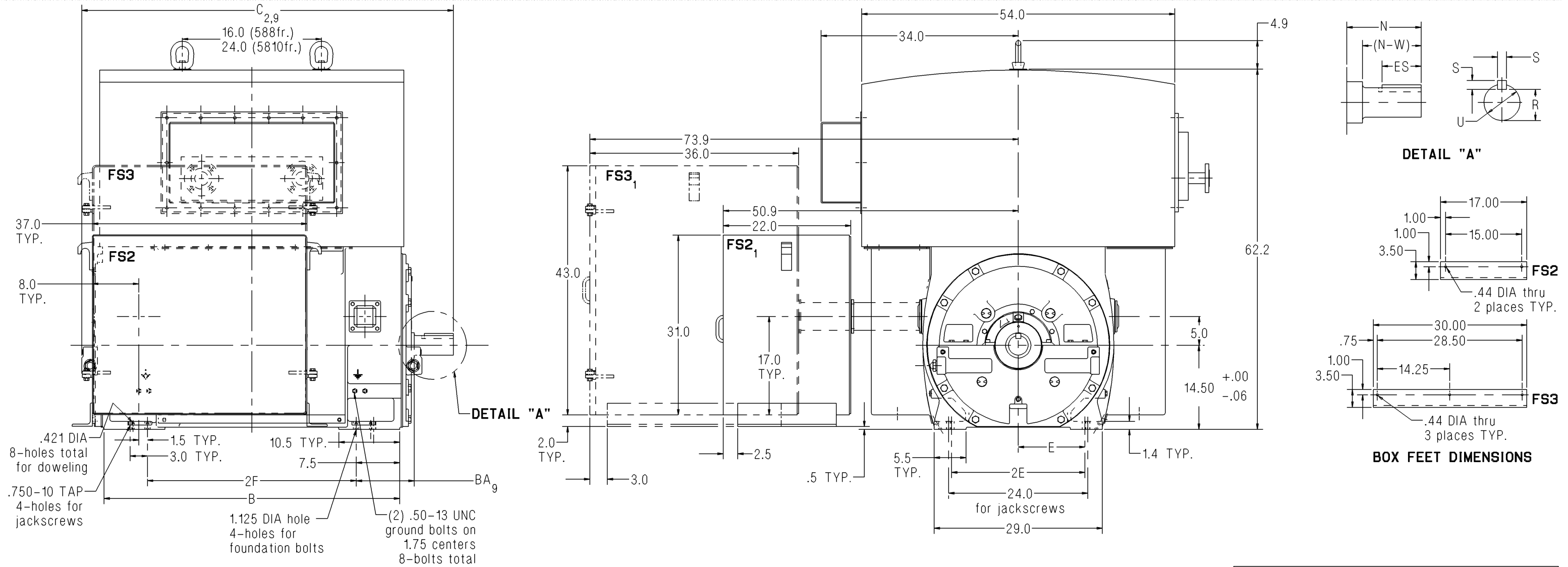


Dimension Prints for Above NEMA Motors



**Notes:**

- Main conduit box is free standing and must be supported from below by customer. Main conduit box is not level with motor feet. A removable bottom plate is supplied on the FS2 and FS3 conduit boxes. A 12.0" spacer is supplied on both frames for the FS2 conduit box. A 21.0" spacer is supplied on both frames for the FS3 conduit box.
- C = Length of motor from drive end of shaft to end of non-drive end of motor.
- V = (N-W)-0.25" = length of shaft available for coupling.
- 2 Pole machines may rotate in one direction only.
- Shims may be necessary under motor feet for direct connection.
- Rotor end float = 0.5"
- End float of LEF coupling = 0.19"
- Adding a rotating labyrinth seal to the drive end does not change any dimensions.
- When adding a ground brush, consult the factory. (BA and C will increase.)
- For motors equipped with provisions for proximity probes use this print for our standard internal mounting.

Lubrication Per Bearing	
2 Pole	4 Pole & Slower
140-160 SUS @ 100°F	290-350 SUS @ 100°F
3.5 qt. capacity	3.5 qt. capacity

**Standard Dimensions in Inches**

Shaft	Frame	Speed	B	BA <sub>9</sub>	C <sub>2,9</sub>	E	2F	N	(N-W)	R	S	U	V <sub>3</sub>	ES	Approx. Ship Wt. (Lbs)
Short	588S	2 Pole	43.0	10.00	56.1	11.5	28.0	7.13	6.75	2.880	0.875	3.375	6.50	5.0	6600
Short	588S	4 Pole & Slower	43.0	10.00	57.3	11.5	28.0	8.38	8.00	3.436	1.000	4.000	7.75	6.0	6800
Short	5810S	2 Pole	51.0	10.00	64.1	11.5	36.0	7.13	6.75	2.880	0.875	3.375	6.50	5.0	7900
Short	5810S	4 Pole & Slower	51.0	10.00	65.3	11.5	36.0	8.38	8.00	3.436	1.000	4.000	7.75	6.0	8100

**Certification:** Customer \_\_\_\_\_ P.O. \_\_\_\_\_ S.O. \_\_\_\_\_ Item \_\_\_\_\_  
 HP \_\_\_\_\_ RPM \_\_\_\_\_ Frame \_\_\_\_\_ PH/HZ/Volts 3/\_\_\_\_\_/\_\_\_\_\_  
 By \_\_\_\_\_ Date \_\_\_\_\_ Terminal Box Size FS2  FS3   
 Comments \_\_\_\_\_  
 Not for construction, installation or application purposes unless certified.