



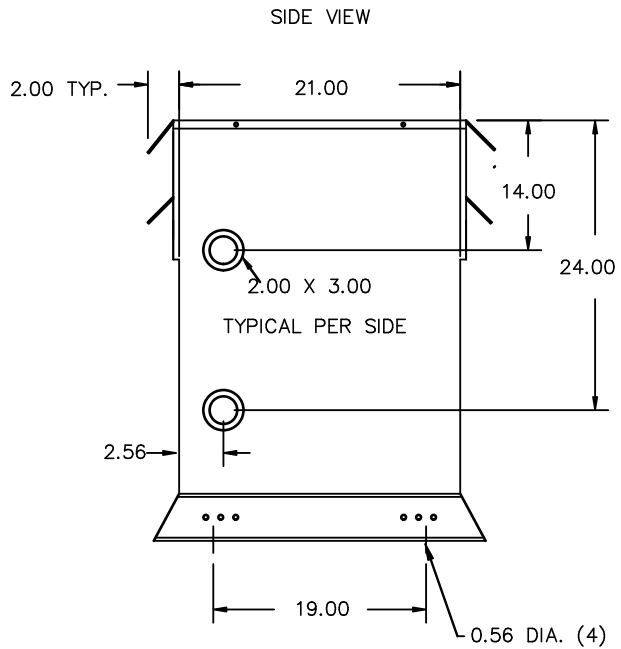
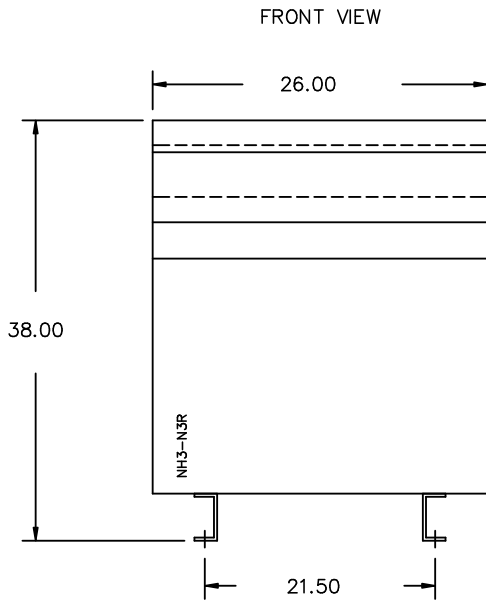
# SIEMENS

CATALOG NO. 1D1Y050ESCTP1 SERIAL NO. SERIES H 50 kVA 60 Hz 1 PHASE 3.5 % IMP AT 170 °C 150 °C RISE 30 °C AVG. AMBIENT 220 °C TEMP CLASS 40 °C MAX. AMBIENT PRIMARY ( H1 H3 H2 H4 ) 240X480 V SECONDARY(X4 X2 X3 X1 ) 120/240 V WINDING MATERIAL CU ENCLOSURE TYPE NEMA-3R WEIGHT 495 LBS ENERGY EFFICIENCY NEMA TP 1-2002 SPACINGS BETWEEN ENCLOSURE AND ANY ADJACENT WALL SHALL BE A MINIMUM OF 6 INCHES ELECTROSTATIC SHIELD SUITABLE FOR INDOOR OR OUTDOOR LOCATIONS DO NOT INSTALL IN AREAS ACCESSIBLE TO PUBLIC FOR INSTALLATION SEE INSTRUCTION MANUAL NEMA Class ANN Dry Type Transformer Siemens Industry, Inc. Norcross, GA			
INPUT LINE ON H1 & H4 CONNECT 504 H2-1, H3-2 492 H3-2, H2-3 480 H2-3, H3-4 468 H3-4, H2-5 456 H2-5, H3-6 444 H3-6, H2-7 432 H2-7, H3-8 252 H2-1, H3-2 240 H2-3, H3-4 228 H2-5, H3-6 216 H2-7, H3-8 CONNECT H1 TO H3 AND H2 TO H4 FOR PARALLEL PRIMARY CONNECT H2 TO H3 FOR SERIES PRIMARY		VOLTS CONNECT OUTPUT LINE 120 X1-X3, X2-X4 X1-X4 240 X2-X3 X1-X4 240/120 X2-X3 X1-X2-X4	

REVISION	DATE	BY	DATE	BY
		DRAWN	08/05/12	CY
		CHEK'D		
		VERIF'D		

Confidential - Property of <b>Siemens Industry, Inc.</b> Building Technologies Division	
CUSTOMER	
ORDER NO.	DWG. NO.
	1D1Y050ESCTP1 SH 1 OF 2

dsu0082e1



All Dimensions in inches

ENCLOSURE COLOR :ANSI 61 GREY – OUTDOOR

H.V.1. TERMINAL DETAIL

L.V.1. TERMINAL DETAIL

MECHANICAL TYPE LUGS INCLUDED  
SUITABLE FOR 250MCM-6 CU/AL  
CONDUCTORS  
1 CONDUCTOR PER PHASE

MECHANICAL TYPE LUGS INCLUDED  
SUITABLE FOR 600MCM-2 CU/AL  
CONDUCTORS  
1 CONDUCTOR PER PHASE

CUSTOMER NOTES:

- HV1 TERMINATED AT TOP FRONT
- LV1 TERMINATED AT BOTTOM FRONT

Confidential – Property of  
**Siemens Industry, Inc.**  
Building Technologies Division

REVISION	DATE	BY	DATE	BY
		DRAWN	08/05/12	CY
		CHEK'D		
		VERIF'D		

CUSTOMER	
ORDER NO.	DWG. NO. 1D1Y050ESCTP1
SH 2 OF 2	

0.0 jwen 2010/01/21 13:27