

**CATALOG NUMBER: LG0202L1125JLC**

**FEATURES AND RATINGS**

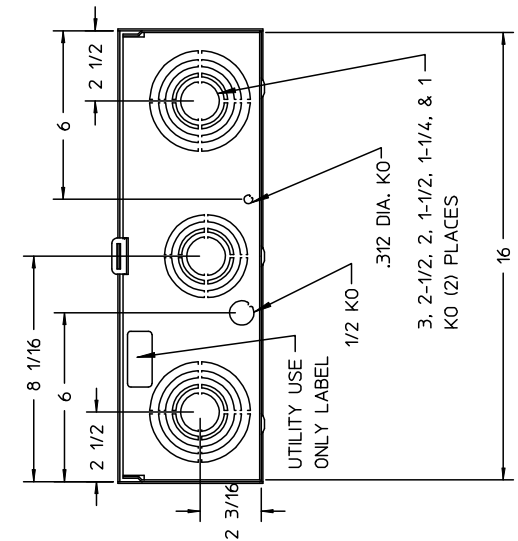
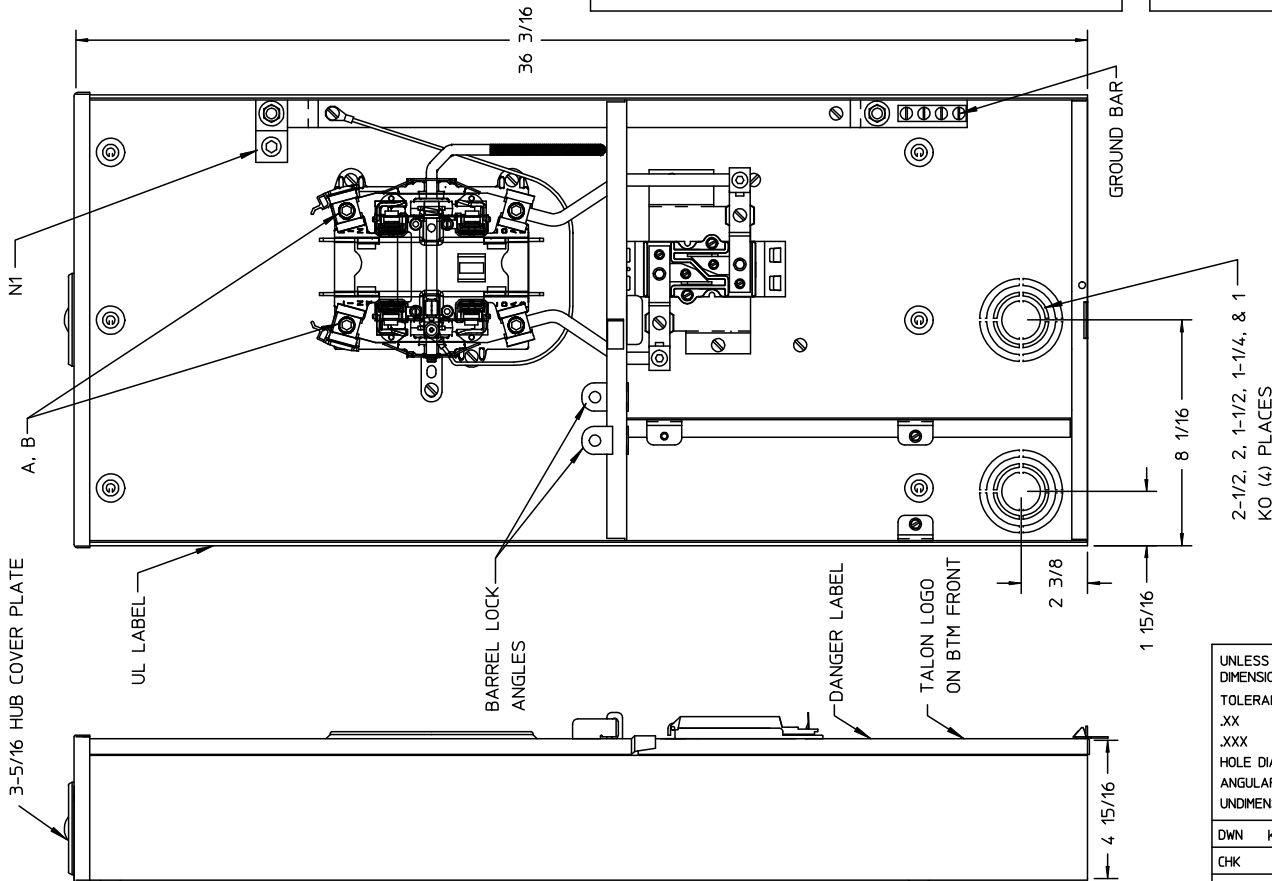
- PANELBOARD RATING:
- 125 AMPS MAX, 120/240 VAC, 1 PHASE, 3 WIRE
  - METER SOCKET RATING: 125 AMPS CONTINUOUS
  - 10,000 AMP SHORT CIRCUIT RATING
  - OUTDOOR ENCLOSURE (NEMA TYPE 3R)
  - RINGLESS, 5 JAW LEVER BYPASS
  - 125A BREAKER PROVISIONS
  - OVERHEAD & UNDERGROUND SERVICE

**CONDUIT HUBS (RX TYPE)**

TRADE SIZE	CATALOG NO.
1-1/4 INCH	EC38597 OR H38597-2
1-1/2 INCH	EC38598 OR H38598-2
2 INCH	EC38599 OR H38599-2
2-1/2 INCH	EC38600 OR H38600-2
HUB COVER PLATE	EC38595 OR H38595-1

**PANELBOARD WIRE SIZES AND TORQUES**

TERMINAL	WIRE SIZE	TORQUE
A, B	#6-350 kcmil	275 LB-IN
N1	#6-350 kcmil	375 LB-IN
BRANCH BREAKER	SEE MARKINGS ON BREAKER	
NEUTRAL/GROUND BAR SLOTTED SCREWS	#14-1/0 AWG	50 LB-IN



UNLESS OTHERWISE SPECIFIED DIMENSIONS ARE IN INCHES  
 TOLERANCES:  
 .XX  
 .XXX  
 HOLE DIAMETER  
 ANGULAR  
 UNDIMENSIONED 90° ANGLES

DWN	KP	DATE	12/11/14	SIZE	B	ISSUE RELEASE NO.	DWG NO.	LG0202L1125JLC	REV
CHK		DATE		SCALE		DO NOT SCALE DRAWING	SHEET	1 OF 1	
APVD		DATE							

-CONFIDENTIAL-PROPERTY OF  
**Siemens Energy & Automation, Inc.**  
 Residential Products Division

SKT/BKR 125A 1P AMEREN