



Hammond Power Solutions Inc.

GUELPH, ONT. BARABOO, WI. COMPTON, CA MONTERREY, MX



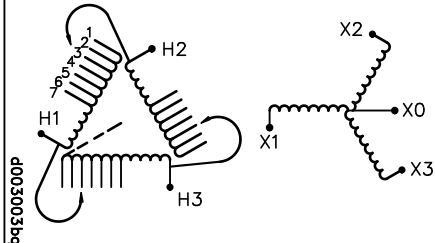
THREE PHASE DRY TYPE TRANSFORMER  
TRANSFORMATEUR SEC TRIPHASE

HV/HT	480V				Cust. Ref.	
BIL	-				Réf. du client	
TERM. BORNES	H1 H2 H3				Serial No.	
					No. de série	
					Part No.	P045KBF7
					No. de pièce	
					kVA	45
					TYPE	HZQT
					Cooling	ANC
					Refroidissement	
					Temp. Rise	115 °C
					Echauffement	
					Temp. Class	180 °C
					Classe de Temp.	
					Frequency	60 Hz
					Fréquence	
					Impédance %	1.5
					@ 135 °C	
					Encl. Type	NEMA-4X
					Type de boîtier	
					Wt LBS	780
					Poids en lbs.	
					Winding	CU
					Enroulement	

VOLTS	CURRENT COURANT	% RATED VOLTAGE % TENSION NOMINALE	CONNECTION EACH PHASE CONNEXION PAR PHASE
504	51.5	105	1
492	52.8	102.5	2
480	54.1	100	3
468	55.5	97.5	4
456	57.0	95	5
444	58.5	92.5	6
432	60.1	90	7

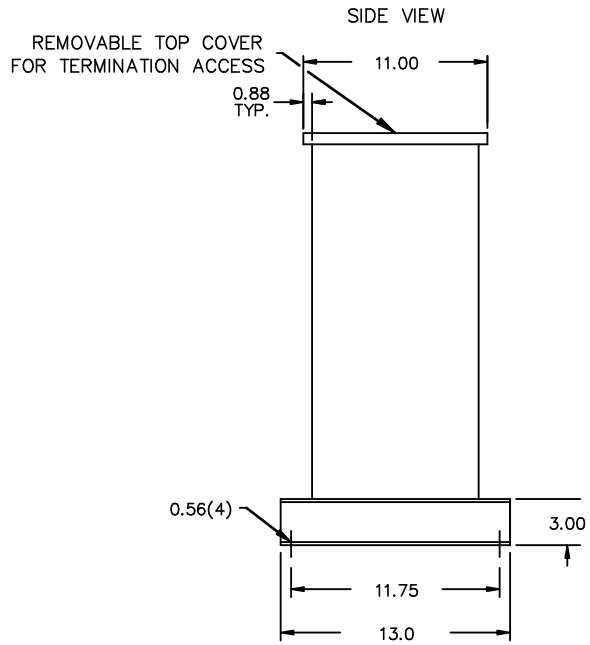
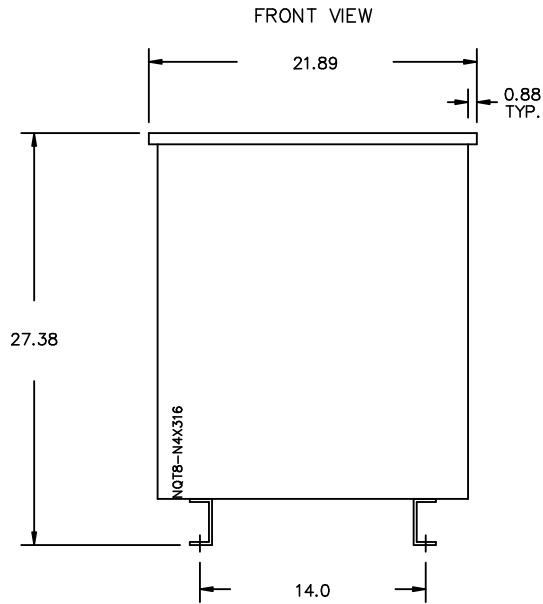
LV/BT	208Y/120V			
BIL	-			
TERM. BORNES	X0 X1 X2 X3			

GENERAL PURPOSE TRANSFORMER  
FOR USE IN HAZARDOUS LOCATIONS  
ABS CERT. NO. 09-101685834-X/04-HS435190-2-PDA  
ELECTROSTATIC SHIELD



TITLE:		3PH DISTRIBUTION TRANSFORMER	
		NAMEPLATE INFORMATION	
1	11/10/04	PB	ENCL CORRECTED TO NQTB 316 SS
			DES: GCALOTA
			DATE: 07/11/26
NO.	DATE	BY	REVISION
			SCALE: NTS

SHEET 1 OF 2  
EDBP045KBF7



All Dimensions in inches

ENCLOSURE COLOR :316 STAINLESS STEEL

H.V.1. TERMINAL DETAIL

L.V.1. TERMINAL DETAIL

MECHANICAL TYPE LUGS INCLUDED  
SUITABLE FOR #14-2 CU/AL  
CONDUCTORS  
1 CONDUCTOR PER PHASE

MECHANICAL TYPE LUGS INCLUDED  
SUITABLE FOR 250MCM-6 CU/AL  
CONDUCTORS  
1 CONDUCTOR PER PHASE

CUSTOMER NOTES:

- HV1 TERMINATED AT TOP REAR
- LV1 TERMINATED AT TOP FRONT



**Hammond Power  
Solutions Inc.**

TITLE: 3PH DISTRIBUTION TRANSFORMER

1	11/10/04	PB	ENCL CORRECTED TO NQT8 316 SS	DES: GCALOTA
				DATE: 07/11/26
NO.	DATE	BY	REVISION	SCALE: NTS

SHEET 2 OF 2

EDB045KBKF7

1.3 ppicassinos 2013/07/26 13:38