

# Heavy Duty Safety Switch with Crouse-Hinds Interlocked Receptacle and Viewing Window

## Type VBII, 30 Amp, Type 12 Industrial & Type 4/4X Stainless Steel

### Standards and Ratings

- UL Listed under file #E4776
- Meets UL98 for switches and UL 50 for enclosures
- Meets NEMA Standard KS-1 for enclosed switches
- Meets NEC wire bending space requirements
- CSA certified under file #1079316
- Rated 10,000 AIC with Class H fuses or 200,000 AIC with Class R and J fuses
- I<sup>2</sup>t rated (Amps<sup>2</sup> x Seconds =50,000)
- 12X overload current rating exceeds 10X industry standard

### Features

- Quick-make and break switching action

- Double break visible blade design
- Highly visible ON/OFF indication
- Rugged installer friendly enclosure design
- Modular design allows quick and easy replacement of parts
- Front removable lugs which can easily be converted to copper body or compression type lugs
- Defeatable dual cover interlock
- Insertion or removal of the plug is prevented by the interlock linkage while the switch is ON
- Receptacle prevents operation of the switch if an incorrect plug is inserted
- Accepts Crouse-Hinds plug # APJ3485 and NPJ3485

### General Information

Catalog Number	Volts <sup>1</sup>	Description	Shipping Weight (lbs.)
<b>Type 12 Industrial<sup>2</sup></b>			
HF361JCHW	600	3 Pole, 3 Wire, Fusible	24
HNF361JCHW	600	3 Pole, 3 Wire, Non-Fusible	22
<b>Type 4/4X Stainless Steel</b>			
HF361SCHW	600	3 Pole, 3 Wire, Fusible	24
HNF361SCHW	600	3 Pole, 3 Wire, Non-Fusible	22

### Horsepower Ratings<sup>3 4</sup> - 600 Volts

Catalog Number	3 Phase, 480V AC		3 Phase, 600V AC		250V DC
	Std	Max	Std	Max	
HF361JCHW <sup>5</sup>	5	15 <sup>4</sup>	7½	20	5
HF361SCHW <sup>5</sup>	5	15 <sup>4</sup>	7½	20	5
HNF361JCHW	—	20 <sup>4</sup>	—	30	5
HNF361SCHW	—	20 <sup>4</sup>	—	30	5

### Mechanical Lug Wire Ranges (60/75°C, Cu/Al)

Description	Wire Range
Line, Load, Neutral	#14-6 AWG (Cu/Al)
Ground <sup>6</sup>	#14-4 AWG

<sup>1</sup> Also rated 250V DC.

<sup>2</sup> Also rated 3R/3S for outdoor use.

<sup>3</sup> Dual horsepower ratings: Std - applies when non-time delay fuses are installed. Max - applies when time-delay fuses are installed.

<sup>4</sup> Also rated 10HP on 3phase, 240V AC systems.

<sup>5</sup> Horsepower ratings listed also apply to Design E motors with no derating.

<sup>6</sup> Load side of ground kit is wired to the 3 phase, 4 wire grounded type receptacle.

## Product Specification Sheet HD30.11

Answers for industry.

**SIEMENS**

# Product Specification Sheet #HD30.11 (page 2 of 2)

## Accessories

Catalog Number	Description
HA161234	One Normally Open and Closed Auxiliary Switches
HA261234	Two Normally Open and Closed Auxiliary Switches
HA361234	Low Voltage Auxiliary Switch
HG61234	Equipment Ground Lug Kit (Factory installed) 1
HP61	Fuse Puller (3 per kit)
HR612	600 Volt Class R Fuse Clip Kit (3 fuse clips per kit)
HLC612	Copper Lug Kit (9 lugs per kit)
SSH075	.75" Type 4/4X Hub

## Replacement Parts

Catalog Number	Description
HFB612	Fusible Line Side Replacement Base
HBB612	Fusible Load Side Replacement Base
HNB612	Non-Fusible Line Side Replacement Base
HH6123	Replacement Handle/Handle Guard (HH6123S for Type 4X)
HL612	Replacement Lugs (3 lugs per kit)
HM6123	Replacement Mechanism (HM6123S for Type 4X)
1	Replacement Door

## Compression Lugs <sup>2</sup>

Wire Size	Burdndy		Thomas-Betts		IlSCO	
	CU Only	CU/AL	CU Only	CU/AL	CU Only	CU/AL
#14-10				60096 60097		
#8	YA8C-L BOX YA8C-L1 BOX		54104 54130	60101 60102 61102	CRA-8	ACL-8 ACN-8
#6				6110		

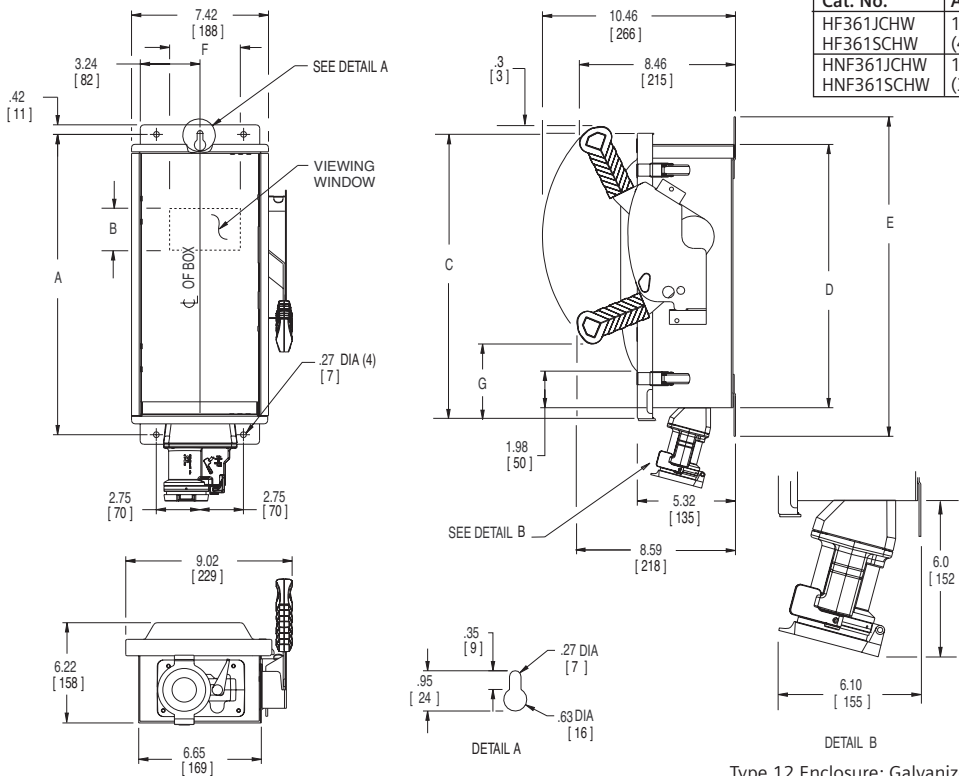
1 Place "DOOR" at the end of the switch catalog number.

2 If compression lugs are used for the neutral, order compression lug neutral barrier kit HCL612.

## Dimension Drawing

### Dimensions Inches (mm)

Cat. No.	A	B	C	D	E	F	G
HF361JCHW	16.46 (418)	3.00 (76)	15.45 (393)	14.27 (362)	17.31 (440)	3.53 (90)	4.07 (103)
HF361SCHW	13.33 (338)	1.75 (44)	12.31 (313)	11.12 (313)	14.16 (360)	3.53 (90)	.92 (23)



No knockouts in the enclosure.  
Dimensions shown in inches and millimeters ( ).  
Dimension shown accurate to ± 1/8 inch.

	LINE SIDE WIRE BEND
600V	3.02 (77)

Type 12 Enclosure: Galvanized Steel  
.054 Thick (17 Gauge)  
Finish: ANSI Grey #61 Paint  
Type 4X Enclosure: 304 Stainless Steel  
.055 Thick (17 Gauge)

30A Crouse-Hinds Receptacle  
Type 12 # WBR3442  
Type 4X # WBR3442-S752