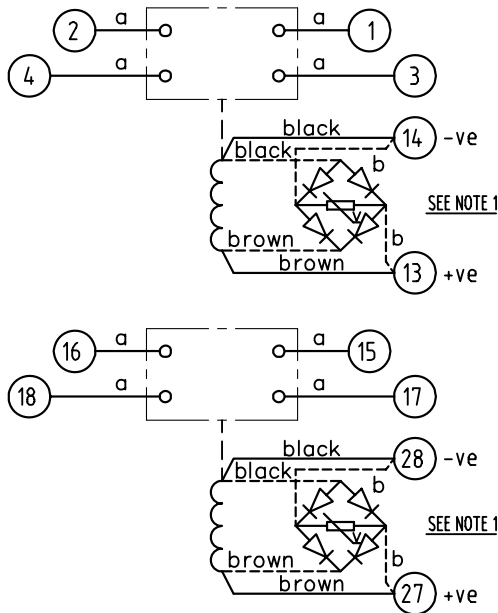


LOOKING ON FRONT OF RELAY

2112W50110

**NOT SUBJECT TO UPDATE
ONCE COPIED / PRINTED
OR DOWNLOADED**



**CREATED 04/05/2020
WORKS STANDARD
IF IN DOUBT ASK**

ASSEMBLY WIRES USED		
a	2107B10002	8 OFF
b	2107D10161	4 OFF

KEY

- make contact
- break contact
- c/o contact
- ext. conn
- plug bridge - shorting
- metering point
- 5Kv barrier
- test socket - shorting
- plug & socket

F.R. COILS SEE BOMS AND CUSTOMER ORDERS FOR SETTINGS

A.R. COILS ONLY	2112G20019	2112G20020	2112G20022	2112G20023	2112G20026	2112G20029
Vdc	24	30	50	60	125	240

CONTACT CONFIG.	OUTPUT CONTACT PAIR / TERMINAL No.					
TOP →	1-3	2-4	5-7	6-8	9-11	10-12
BOT. →	15-17	16-18	19-21	20-22	23-25	24-26
2M	M	M				
1M 1B	M	B				
2B	B	B				

NOTE:
1. DASHED LINE --- SHOWS CONNECTIONS WHEN RECTIFIERS ARE FITTED, (AC APPLICATIONS ONLY).

FRAME REFERENCE: E2FAQQ.
FRAME TERMINAL BLOCK ASSY: -

ASSEMBLY INSTRUCTIONS: -
TYPICAL ASSEMBLY DRAWING 2995G10032.
AT INDICATED POSITIONS FIT AS FOLLOWS:
T - FIT TRIP ISOLATION CONTACT 2995B10053
S - FIT STANDARD CONTACT 2995B10054
SECURE CONTACTS USING FIXING SCREW 2109F99009.
POSITIONS SHOWN BLANK ARE UNUSED

2	T	T	1
4	T	T	3
6			5
8			7
10			9
12			11
14	S	S	13
16	T	T	15
18	T	T	17
20			19
22			21
24			23
26			25
28	S	S	27

VIEW FROM NUMBERED SIDE OF BLOCK

OUTER TERMINAL BLOCK ASSY: -

ASSEMBLY INSTRUCTIONS: -
TYPICAL ASSEMBLY DRAWING 2995G10029.
AT INDICATED POSITIONS FIT AS FOLLOWS:
S - FIT STANDARD CONTACT 2995B10051
HC - FIT 'HEAVY CURRENT' KIT 2995G10030
WHERE IS SHOWN FIT CT SHORTING
KIT 2995G10031
POSITIONS SHOWN BLANK ARE UNUSED.
ALL POSITIONS FIT SCREW 2106F12506.

2	S	S	1
4	S	S	3
6			5
8			7
10			9
12			11
14	S	S	13
16	S	S	15
18	S	S	17
20			19
22			21
24			23
26			25
28	S	S	27

VIEW FROM INSIDE FACE

3 N.C			11/05/15	MN112/3866	<p>Title: T.B. AND W.D. FOR AR OR FR2-1/2-2 2 CONT. RELAYS IN EPSILON E2 CASE.</p> <p>Reyrolle Protection Hebburn.</p> <p>Original Scale: </p>	First used on:	
2 RDW			10/07/12	MN111C/3479		Similar Articles:	
1			30/03/99			Supersedes:	
ISSUE	DATE	MOD.No.				Drg.No. 2112W50110	
DRAWN: A.LAW.		CHECKED:	APPROVED: R.D.WATSON		DATE: 17/07/02	Copyright © 1998 Reyrolle Ltd.	