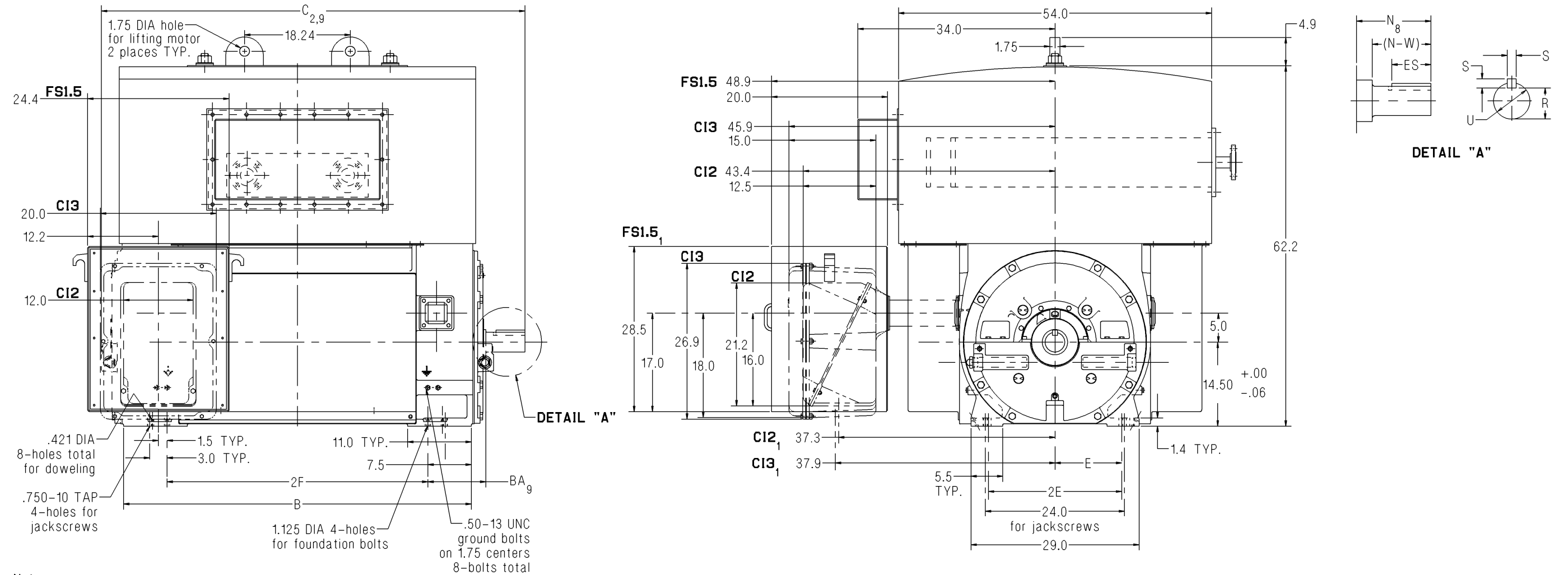


SIEMENS

Type CGG - Horizontal - Totally Enclosed Water to Air Cooled Sleeve Bearing - Direct Connected Frame 5812 - Rotatable Main Conduit Box

Dimension Prints for Above NEMA Motors



Notes:

- Main conduit box may be rotated in steps of 90° except in the 180° position.
A removable bottom plate is supplied on the FS1.5 conduit box.
A 5.0 N.P.T. is supplied on the C12 and C13 conduit boxes.
A 12.0" spacer is supplied on the 5812 frame for all rotatable conduit boxes.
- C = Length of motor from drive end of shaft to end of non-drive end of motor.
- V = (N-W)-0.25" = length of shaft available for coupling.
- 2 Pole machines may rotate in one direction only.
- Shims may be necessary under motor feet for direct connection.
- Rotor end float = 0.5"
- End float of LEF coupling = 0.19"
- Adding a rotating labyrinth seal to the drive end decreases N by:
2 Pole: 0.28" 4 Pole & Slower: 0.28"
- When adding a ground brush, consult the factory. (BA and C will increase.)
- For motors equipped with provisions for proximity probes use this print for our standard internal mounting.

Lubrication Per Bearing	
2 Pole	4 Pole & Slower
140-160 SUS @ 100°F	290-350 SUS @ 100°F
3.5 qt. capacity	3.5 qt. capacity

Standard Dimensions in Inches

Shaft	Frame	Speed	B	BA ₉	C _{2,9}	E	2F	N ₈	(N-W)	R	S	U	V ₃	ES	Approx. Ship Wt. (Lbs)
Short	5812S	2 Pole	60.0	10.00	73.1	11.5	45.0	7.13	6.75	2.880	0.875	3.375	6.50	5.0	9500
Short	5812S	4 Pole & Slower	60.0	10.00	74.3	11.5	45.0	8.38	8.00	3.436	1.00	4.000	7.75	6.0	9600

Certification: Customer _____ P.O. _____ S.O. _____ Item _____
 HP _____ RPM _____ Frame _____ PH/HZ/Volts 3/_____/_____
 By _____ Date _____ Terminal Box Size C12 C13 FS1.5
 Comments _____
 Not for construction, installation or application purposes unless certified.

CGG_5812_2plusPL_SLV_ROT
Revision 01
01/27/09