

7  
6  
5  
4  
3  
2  
1

# SIEMENS

## Rainproof Combination Metering

Enclosure  
**Type 3R**

Catalog Number  
**MC0816B1400SDL**

Panelboard Rating: 400 Amps Max; 120/240 Volts ~ 1 Phase, 3 Wire  
208Y/120 Volts ~ 1 Phase, 3 Wire (5th Jaw may be required)  
Meter Socket Rating: 400 Amps Max, 320 Amps Continuous  
For installation by a qualified person in accordance with all local  
electrical codes and/or the National Electrical Code.®

### SUITABLE ONLY FOR USE AS SERVICE EQUIPMENT.

FOR UNDERGROUND SERVICE ONLY.

### Terminals suitable for 60°/75° C Copper or Aluminum Conductor.

Unused neutral branch terminals may be used to terminate equipment  
grounding wires in the combinations indicated for equipment ground  
bar terminals.

#### General Information:

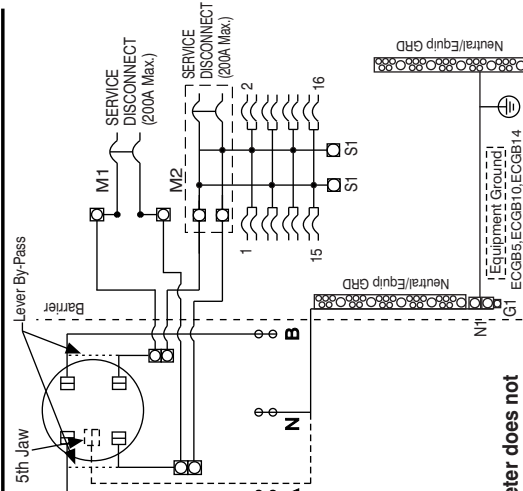
Remove twistouts from trim only where breakers will be installed. All  
openings must be filled with breakers or filler plates. Circuit breaker  
overload trip position is indicated by handle position midway between  
ON and OFF. To reset, move handle to OFF position then turn ON.

#### Line Terminals:

Provisions for UL listed one or two hole NEMA  
mounting terminals. Use mechanical lugs listed in  
accessory chart or compression terminals to #750  
kcmil, single conductor, ILSCO type ACL or 2ACL.  
Installation Tool: THOMAS & BETTS #  
TBM8 for #10-350kcmil(AL), #8-500kcmil(CU)  
TBM8-750M-1 for #8-750kcmil(CU/AL)

#### Tightening Torques:

5/16" Nuts(1/2" Drive).....130-140 in-lbs  
3/8" Nuts(9/16" Drive).....240-260 in-lbs  
1/2" Nuts(3/4" Drive).....490-540 in-lbs



#### Accessories:

Filler Plate QF3 / ECOF3  
Flush Rail Kit ECFRK1  
5th Jaw Kit H35815-2  
200 Amp Main Breaker QN2200RH  
150 Amp Main Breaker QN2150RH  
Mechanical Interlock ECMQL12  
Standby Interlock Kit ECSBPK05  
Standby Interlock Kit ECSBPK07  
LUG #6-350 kcmil SUK350TA  
LUG #2-600 kcmil SUK600TA  
LUG 500-1000 kcmil SUK1000TA

Trade size (in)	Catalog No.
2"	EC56854
2 1/2"	EC56855
3"	EC56856
3 1/2"	EC56857
4"	EC56858
	EC56933S

Terminal	Wire Size	Torque
A, B, N	(2) #6-350 kcmil	275 lb-ins
SUK350TA	#2-600 kcmil	375 lb-ins
SUK600TA	500-1000 kcmil	500 lb-ins
N1, S1	#4 - 300 kcmil	250 lb-ins
G1	2/0 - #14	50 lb-ins
Branch Brkr Terminals	See Markings on Breaker	
Neutral/Equip GRD (1/0-14)	#10 - #14 CU #8 1/0 - #6	35 lb-ins 35 lb-ins 40 lb-ins
Neutral/Equip GRD (6-14)	#10 - #14 CU #8	20 lb-ins 25 lb-ins
	#6	35 lb-ins

Ground Terminal Size	Wire Range	Torque
1/0-#14	(2 or 3) #12-14 CU (2 or 3) #10-12 AL (2) #10 CU (3) #10 CU	35 lb-ins 35 lb-ins 35 lb-ins 50 lb-ins
#6-#14	(2) #12-14 CU (2) #12 AL	20 lb-ins 20 lb-ins
#4-#14 (ECGB)	(1, 2 or 3) #14, (1 or 2) #12-#10 #8 #6-#4	20 lb-ins 20 lb-ins 25 lb-ins 35 lb-ins

\*Only Equipment Ground Terminals may use more than one wire per terminal.

#### Short Circuit Current Rating (Wattour Meter not included in short circuit current rating).

This panelboard has a maximum short circuit current rating of 22,000 RMS symmetrical amperes, 120/240 V-. The actual rating is dependent on the service disconnects and branch breakers installed in this panelboard. The correct service disconnects, branch circuit breakers and main/branch breaker series combinations to be used for various short circuit current levels are listed in the tabulation below. Any circuit breaker installed, replaced, or added in this panelboard must be manufactured by Siemens and must be of the correct type as indicated in the tabulation below.

PANELBOARD SERVICE DISCONNECT, M2*	BRANCH BREAKER	SERVICE DISCONNECT M1
When the installed panelboard service disconnect is a Siemens Type	And the branch breakers installed are Siemens Type	Then the maximum short circuit current rating in RMS Symmetrical Amperes 120/240V- is
QNRH	QP, QT, QPH, QHP, QPF, QAF, QAFH, QE, QEH, QNR, QNRH, QG	10,000
	QP, QT, QPH, QHP, QPF, QAF, QAFH, QE, QEH, QNR, QNRH	22,000

\*The factory installed main is Type QNRH  
**Important:** Do not allow petroleum based (hydrocarbon) sprays, chemicals, solvents or any paint to contact interior components. Petroleum based chemicals can cause degradation of electrical insulating materials.

Siemens Industry, Inc. Building Technologies Division Norcross, Georgia U.S.A. 42  
© The National Electrical Code is a registered trademark of the National Fire Protection Association. 40900193 0101 Rev.A  
Assembled in Mexico

#### NOTES:

1. PRINT COLOR: BLACK
2. LABEL SIZE: 8.75 X 6.25
3. MATERIAL: PER SPEC P23574

DESIGN RESPONSIBILITY LOCATION:  
**SII-NORCROSS**

#### PRINT DISTRIBUTION

ECN COPIES MUST BE ISSUED TO ALL CHECKED LOCATIONS FOR APPROVAL PRIOR TO CHANGE

<input type="checkbox"/> SII-NOR	<input type="checkbox"/> DUR-LEB	<input type="checkbox"/> *
<input checked="" type="checkbox"/> SII-IT2	<input type="checkbox"/> DUR-HOU	<input type="checkbox"/> *
<input type="checkbox"/> SII-IT1	<input type="checkbox"/> McPHER	<input type="checkbox"/> *

ECN NO.	REV	DATE	DESCRIPTION	BY
09-159J2-01	A	3/16/10	ISSUE	KAM

UNLESS OTHERWISE SPECIFIED  
DIMENSIONS ARE IN INCHES  
TOLERANCES:  
.XX ±.12  
.XXX  
HOLE DIAMETER ±.005  
ANGULAR  
UNDIMENSIONED 90° ANGLES ±0°30'

DWN	KAM	DATE	2/22/10
CHK	CDH	DATE	3/4/10
APVD		DATE	

-CONFIDENTIAL- PROPERTY OF  
**Siemens Industry, Inc.**  
Building Technologies Division

## WIRING DIAGRAM

SIZE <b>B</b>	ISSUE RELEASE NO. 09-159J2-01	DWG. NO.	<b>40900193</b>	REV <b>A</b>
SCALE 1:1	DO NOT SCALE DRAWING	SHEET 1 OF 1		