

SIEMENS

Compression Lugs
Bornes de Compresión
Connexion Compression

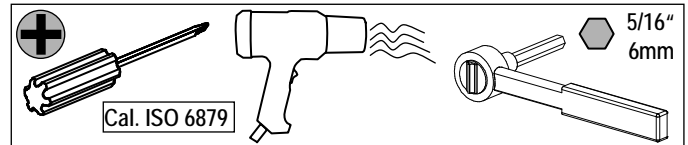
	U.S. Cat. No.	Euro Order No.
item:	3CLJ350	3VL9435-4TM31
	3CLJ600	3VL9460-4TM31
	3CLJ750	3VL9475-4TM31
	6CLL350	3VL9435-4TM61
	6CLL600	3VL9460-4TM61
	6CLL750	3VL9475-4TM31

For Use With Frame JG, LG
Para Usar Con Caja Base JG, LG

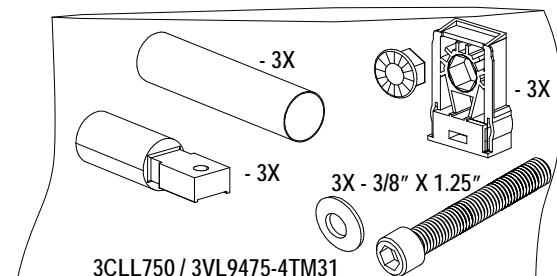
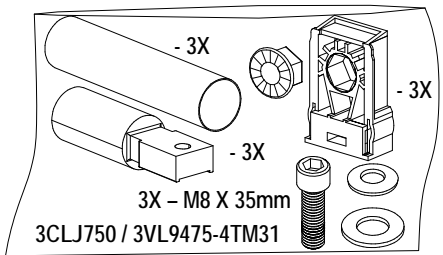
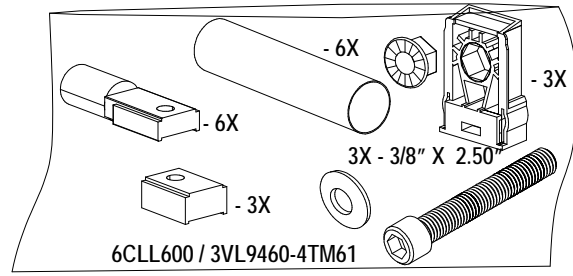
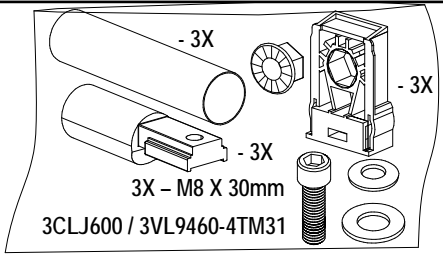
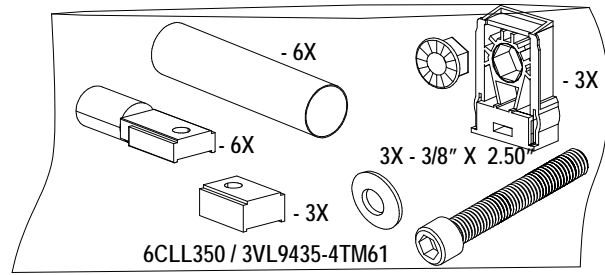
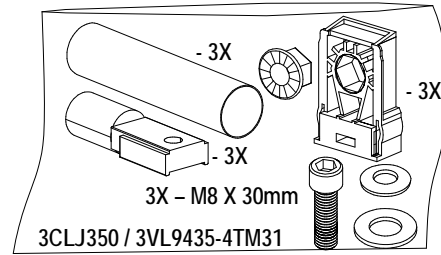
Installation Instructions / Instructivo de Instalación

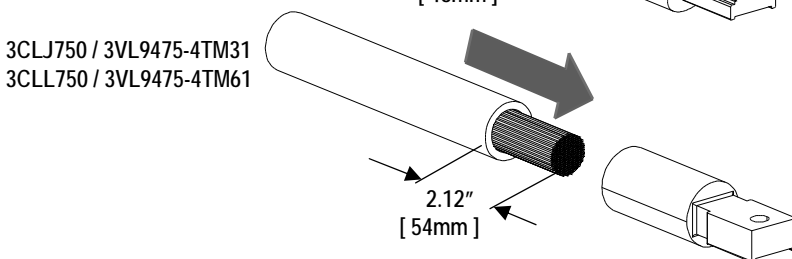
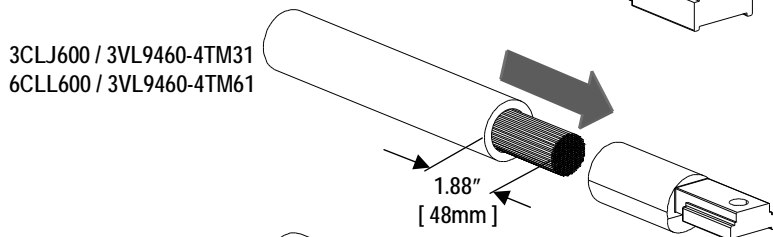
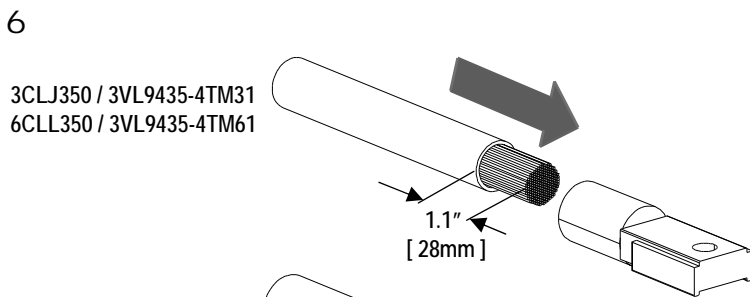
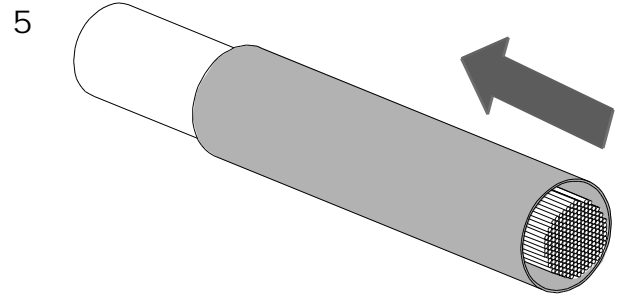
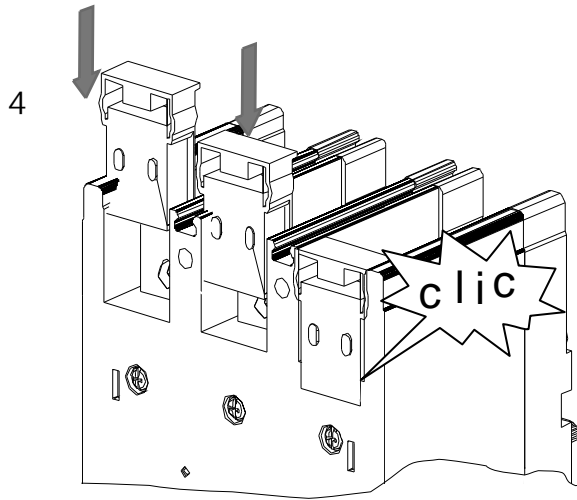
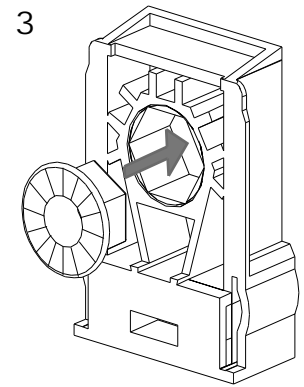
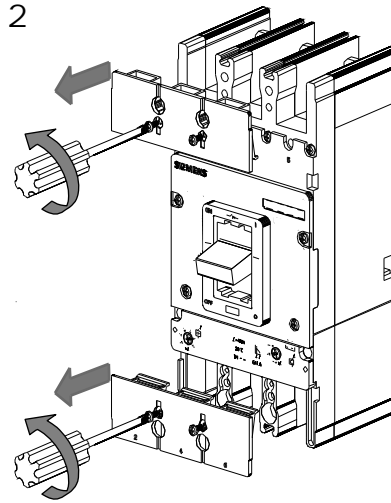
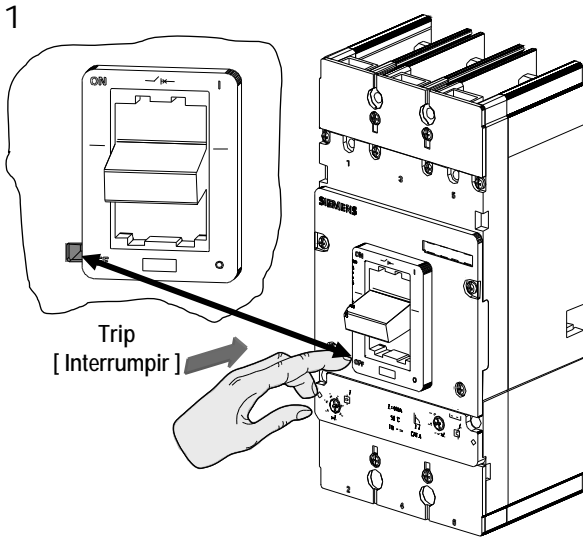
	Danger	Peligro	Danger
	Hazardous Voltage. Will cause death or serious injury. Turn off and lock out all power supplying this device before working on this device. Replace all covers before power supplying this device is turned on.	Tensión peligrosa. Puede causar la muerte o lesiones graves. Desenergice totalmente antes de instalar o darle servicio. Reemplace todas las barreras y cubiertas antes de energizar el interruptor.	Tension dangereuse. Danger de mort ou risque de blessures graves. Couper l'alimentation de l'appareil et barrer avant de travailler. Remplacez tous les couverts avant que l'alimentation de pouvoir soit alimenté.

Use only with Siemens certified Components.
Utilizar únicamente con componentes certificados de Siemens.
A utiliser uniquement avec les composants certifiés Siemens.



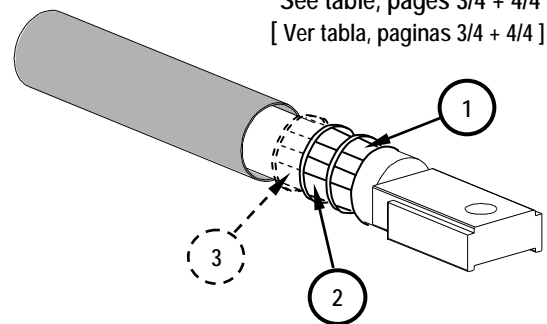
NOTE - These instructions do not purport to cover all details or variations in equipment, or to provide for every possible contingency to be met in connection with installation, operation or maintenance. Should further information be desired or should particular problems arise, which are not covered sufficiently for the purchaser's purposes, the matter should be referred to the local Siemens sales office. The contents of this instruction manual shall not become part of or modify any prior or existing agreement, commitment or relationship. The sales contract contains the entire obligation of Siemens. The warranty contained in the contract between the parties is the sole warranty of Siemens. Any statements contained herein do not create new warranties or modify the existing warranty.
Trademarks - Unless otherwise noted, all names identified by ® are registered trademarks of Siemens AG or Siemens Industry, Inc. The remaining trademarks in this publication may be trademarks whose use by third parties for their own purposes could violate the rights of the owner.



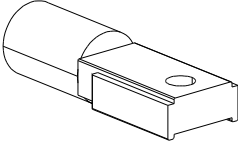
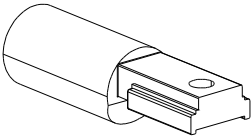



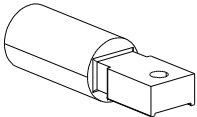
7 No. of Crimps [Cantidad de Compresiones]

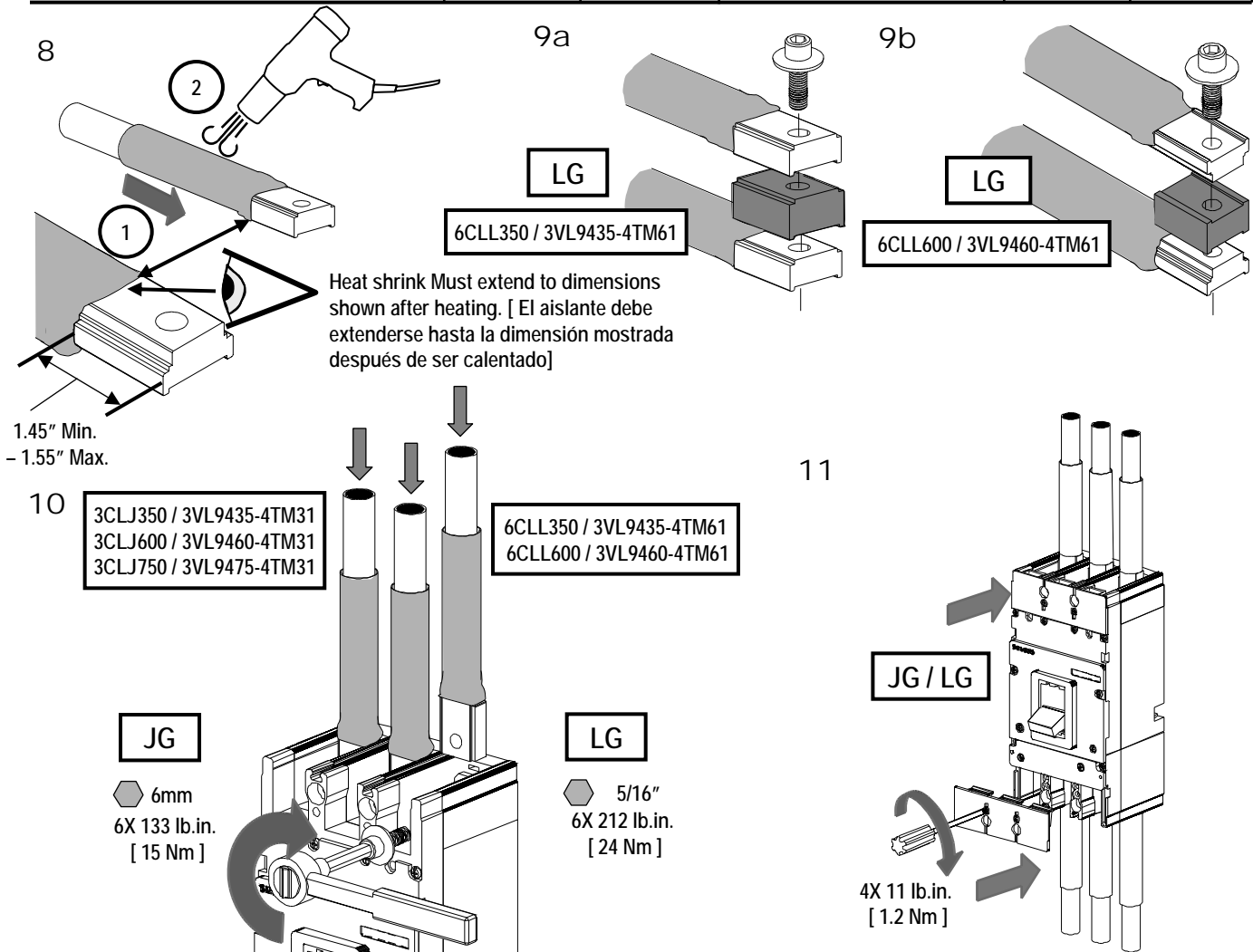
See table, pages 3/4 + 4/4
[Ver tabla, paginas 3/4 + 4/4]



	⚠ Danger	⚠ Peligro	⚠ Danger
	Hazardous Voltage. Will cause death or serious injury. Turn off and lock out all power supplying this device before working on this device. Replace all covers before power supplying this device is turned on.	Tensión peligrosa. Puede causar la muerte o lesiones graves. Desenergice totalmente antes de instalar o darle servicio. Reemplace todas las barreras y cubiertas antes de energizar el interruptor.	Tension dangereuse. Danger de mort ou risque de blessures graves. Couper l'alimentation de l'appareil et barrer avant de travailler. Remplacez tous les couverts avant que l'alimentation de pouvoir soit alimenté.

Compression Tool and Die chart for copper and aluminum conductors [Tabla de herramienta y molde para conductores de aluminio y cobre]						UL 486A - 486B Req. Wire Stranding [Cable]		
	Wire Size [Rango Cable]	Tool Mfg. [Suplidor de Herramienta]	Tool No. [Número de Herramienta]	Die No. [Troquel Número de]	No. of Crimps [Cantidad de Compresiones]	CU / AL Class B	CU Class C	
3CLJ350 / 3VL9435-4TM31 6CLL350 / 3VL9435-4TM61 	350 kcmil	Homac	UT - 15	76	2	37	61	
		T & B	TMB-15					
		Burndy	Y - 35	249	1			
				324 658	2			
	Kearny	WH - 2	840	4				
	6 - 2 kcmil [16 - 35 mm ²]	Hubbell - Anderson	VC - 6	-----	1	7	19	
	1 - 4 / 0 kcmil [50 - 95 mm ²]					19	37	
250 - 350 kcmil [120 - 150 mm ²]	37					61		
Compression Tool and Die chart for copper and aluminum conductors [Tabla de herramienta y molde para conductores de aluminio y cobre]						UL 486A - 486B Req. Wire Stranding [Cable]		
	Wire Size [Rango Cable]	Tool Mfg. [Suplidor de Herramienta]	Tool No. [Número de Herramienta]	Die No. [Troquel Número de]	No. of Crimps [Cantidad de Compresiones]	CU / AL Class B	CU Class C	
3CLJ600 / 3VL9460-4TM31 6CLL600 / 3VL9460-4TM61 	600 kcmil	Homac	UT - 15	160A	3	61	91	
		Burndy	Y - 35 Y - 39 Y - 750 Y - 45 Y - 46	300	317			3
				Kearny	WH - 2			1 5/16
	250 - 500 kcmil [150 - 240 mm ²]	Hubbell - Anderson	VC - 6 - FT	-----	3	37 AL - ONLY		
	600 kcmil [300 mm ²]					61 AL - ONLY		

Compression Tool and Die chart for copper and aluminum conductors [Tabla de herramienta y molde para conductores de aluminio y cobre]						UL 486A - 486B Req. Wire Stranding (Cable)	
	Wire Size [Rango Cable]	Tool Mfg. [Suplidor de Herramienta]	Tool No. [Número de Herramienta]	Die No. [Troquel Número de]	No. of Crimps [Cantidad de Compresiones]	CU / AL Class B	CU Class C
3CLJ750 / 3VL9475-4TM31 3CLL750 / 3VL9475-4TM31 	750 kcmil	Homac	UT - 15	115H	3	61	91
		Burndy	Y - 35 Y - 39 Y - 750 Y - 45 Y - 46	473 786 936	3		
		Kearny	WH - 2	1 5/16	3		
	250 - 500 kcmil [150 - 185 mm ²]	Hubbell - Anderson	VC - 6 - FT	-----	3	37	61
	600 - 750 kcmil [240 - 300 mm ²]					61	91



For Support in Europe refer to :

Bestell-Nr. / Order No.: 3ZX1012-0VL68-3AA5

Internet: www.siemens.de/lowvoltage/technical-assistance

GWA 4NEB 179 6855-10 DS 05

Technical Support:

Toll Free: 1-800-241-4453

Internet: www.usa.siemens.com/powerdistribution

Subject to change without prior notice
Siemens Industry, Inc., Norcross, GA 30092 U.S.A.