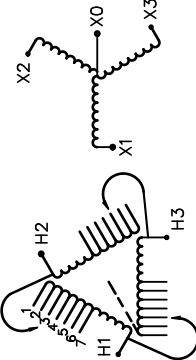


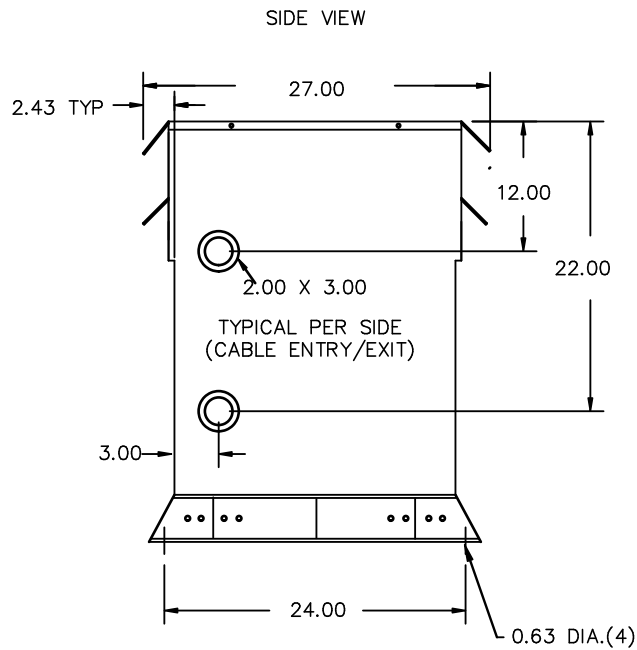
SIEMENS

| | | | |
|---|--------------------|--|--|
| CATALOG NO. 3F3Y075CLN3D16BA SERIAL NO. SERIES H 75 kVA 60 Hz 3 PHASE 3.5 % IMP AT 170 °C | |  <p>VOLTS CONNECT</p> <p>504 492 480 468 456 444 432</p> <p>1 2 3 4 5 6 7</p> | |
| 150 °C RISE | 30 °C AVG. AMBIENT | WINDING MATERIAL CU ENCLOSURE TYPE 3R WEIGHT 610 LBS ENERGY EFFICIENCY EXCEEDS CSA C802.2-2012 DOE 10 CFR PART 431:2016 SPACINGS BETWEEN ANY VENTILATED ENCLOSURE PANEL AND ANY ADJACENT WALL SHALL BE A MINIMUM OF 5 INCHES EXCEPT WHEN WALL MOUNTED USING APPROVED WALL MOUNTING KIT SOUND LEVEL IS 3 DB LOWER THAN NEMA ST20 REQUIREMENTS | |
| 220 °C TEMP CLASS | 40 °C MAX. AMBIENT | | |
| PRIMARY (H1 H2 H3) 480 V 10 kV BIL SECONDARY(X0 X1 X2 X3) 208Y/120 V 10 kV BIL | | TYPE K DRY TYPE TRANSFORMER 77UL E112313 LR 3902 LISTED SEISMIC QUALIFICATIONS, FLOOR MOUNT ONLY OSP-0136-10 IBC 2012/ASCE 7-10 SDS<=2.0g z/h=1 p=1.5 | |
| NEMA Class ANN Dry Type Transformer SUITABLE FOR INDOOR OR OUTDOOR LOCATIONS BEFORE HANDLING, INSTALLING AND OPERATING; SEE INSTRUCTION MANUAL Siemens Industry, Inc. Norcross, GA c8u0086e | | | |



| REVISION | DATE | BY | DATE | BY |
|----------|------|---------|----------|----|
| | | DRAWN | 16/11/07 | GP |
| | | CHEK'D | | |
| | | VERIF'D | | |

| | |
|---|----------------------------|
| Confidential - Property of Siemens Industry, Inc. | |
| CUSTOMER | |
| ORDER NO. | DWG. NO. |
| | 3F3Y075CLN3D16BA SH 1 OF 2 |



All Dimensions in inches

ENCLOSURE COLOR :ANSI 61 GREY – OUTDOOR

H.V.1. TERMINAL DETAIL

L.V.1. TERMINAL DETAIL

MECHANICAL TYPE LUGS INCLUDED
SUITABLE FOR #2/0-14 CU/AL
CONDUCTORS
1 CONDUCTOR PER PHASE

MECHANICAL TYPE LUGS INCLUDED
SUITABLE FOR 600MCM-2 CU/AL
CONDUCTORS
1 CONDUCTOR PER PHASE

CUSTOMER NOTES:

- HV1 TERMINATED AT TOP FRONT
- LV1 TERMINATED AT BOTTOM FRONT

Confidential – Property of
Siemens Industry, Inc.

| REVISION | DATE | BY | DATE | BY |
|----------|------|----|----------|----|
| | | | 16/11/07 | GP |
| | | | | |
| | | | | |

| | |
|-----------|----------------------------|
| CUSTOMER | |
| ORDER NO. | DWG. NO. |
| | 3F3Y075CLN3D16BA SH 2 OF 2 |

0.0 gpatel 2016/11/07 10:24