

SIEMENS

SIPROTEC 4/5

Injection Unit 7XT71

(for Rotor Ground Fault Protection, 1 Hz to 3 Hz)

7XT7100-0*A00/EE

Product Information

(valid from hardware version /EE)

C53000-B1174-C128-7



NOTE

For your own safety, please observe the warnings and safety instructions contained in this document.



NOTE

This Product Information contains **important information about the Injection Unit 7XT71**.

It is part of the product supplied, and the information in it should be considered more up-to-date than any other information if uncertainties arise.

Disclaimer of Liability

This document has been subjected to rigorous technical review before being published. It is revised at regular intervals, and any modifications and amendments are included in the subsequent issues. The content of this document has been compiled for information purposes only. Although Siemens AG has made best efforts to keep the document as precise and up-to-date as possible, Siemens AG shall not assume any liability for defects and damage which result through use of the information contained herein.

This content does not form part of a contract or of business relations; nor does it change these. All obligations of Siemens AG are stated in the relevant contractual agreements.

Siemens AG reserves the right to revise this document from time to time.

Copyright

Copyright © Siemens AG 2016. All rights reserved. The disclosure, duplication, distribution and editing of this document, or utilization and communication of the content are not permitted, unless authorized in writing. All rights, including rights created by patent grant or registration of a utility model or a design, are reserved.

Registered Trademarks

SIMATIC[®], SIMATIC NET[®], SIPROTEC[®], DIGSI[®], SICAM[®], SIMEAS[®], SINAUT[®], OSCOP[®], and DAKON[®] are registered trademarks of SIEMENS AG. An unauthorized use is illegal.

All other designations in this document can be trademarks whose use by third parties for their own purposes can infringe the rights of the owner.

Table of Contents

1	Information for Your Safety	2
2	Statement of Conformity	4
3	Used Symbols	5
4	Ordering Information	6
5	Application	7
6	Design	9
7	Dimensions and Connections	12
8	Assembly and Connection Notes	17
9	Commissioning	22
10	Maintenance and Repair	29
11	Storage and Transport	30
12	Technical Data	31
13	Block Diagram	38
14	Connection Diagrams	39

1 Information for Your Safety

This manual does not constitute a complete catalog of all safety measures required for operating the equipment (module, device) in question, because special operating conditions may require additional measures. However, it does contain notes that must be adhered to for your own personal safety and to avoid damage to property. These notes are highlighted with a warning triangle and different keywords indicating different degrees of danger.



DANGER

Danger means that death or severe injury **will** occur if the appropriate safety measures are not taken.

- ✧ Follow all instructions to prevent death or severe injury.



WARNING

Warning means that death or severe injury **can** occur if the appropriate safety measures are not taken.

- ✧ Follow all instructions to prevent death or severe injury.



CAUTION

Caution means that minor or moderate injury can occur if the appropriate safety measures are not taken.

- ✧ Follow all instructions to prevent minor injury.

NOTICE

Notice means that damage to property can occur if the appropriate safety measures are not taken.

- ✧ Follow all instructions to prevent damage to property.



NOTE

is important information about the product, the handling of the product, or the part of the documentation in question to which special attention must be paid.

Personnel Qualified in Electrical Engineering

Commissioning and operation of the equipment (module, device) described in this manual must be performed by personnel qualified in electrical engineering only. As used in the safety notes in this manual, electrically qualified personnel are those persons who are authorized to commission, release, ground and tag devices, systems, and electrical circuits in accordance with safety standards.

Use as Prescribed

The equipment (device, module) must not be used for any other purposes than those described in the catalog and the Technical Description. If it is used together with third-party devices and components, these must be recommended or approved by Siemens.

If the device is not used in accordance with this product information, the intended protection function is impaired.

Correct and safe operation of the product requires adequate transportation, storage, installation, and assembly as well as appropriate use and maintenance.

During the operation of electric equipment, it is unavoidable that certain parts of this equipment will carry hazardous voltages. Severe injury or material damage can occur if appropriate measures are not taken:

- Before making any connections, ground the equipment at the grounding terminal.
- Hazardous voltages can be present on all switching components connected to the power supply.
- Even after the supply voltage has been disconnected, hazardous voltages can still be present in the equipment (capacitor storage).
- Equipment with current transformer circuits must not be operated while open.
- The limit values indicated in the manual and the product information must not be exceeded; this also refers to testing and commissioning.

2 Statement of Conformity



This product complies with the directive of the Council of the European Communities on harmonization of the laws of the Member States relating to electromagnetic compatibility (EMC Council Directive 2014/30/EU) and concerning electrical equipment for use within specified voltage limits (Low Voltage Directive 2014/35/EU).

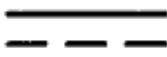

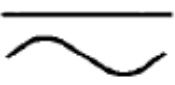

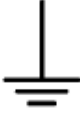



This conformity has been proved by tests performed according to the Council Directive in accordance with the product standard EN 60255-26 (for EMC directive) and with the product standard EN 60255-27 (for Low Voltage Directive) by Siemens AG.

The device is designed and manufactured for application in an industrial environment.

The product conforms with the international standards of IEC 60255 and the German standard VDE 0435.

3 Used Symbols

Table 3-1 Used Symbols

No.	Symbol	Description
1		Direct current IEC 60417-5031
2		Alternating current IEC 60417-5032
3		Direct and alternating current IEC 60417-5033
4		Three-phase alternating current
5		Ground (earth) IEC 60417-5017
6		Protective conductor IEC 60417-5019
7		Caution, risk of electric shock
8		Caution, risk of danger ISO 7000-0434

4 Ordering Information

Ordering code for your order:

Injection Unit	7XT7100-	8	9	10	11	12
		0		A	0	0
In housing for panel surface mounting			B			
In housing for panel flush mounting			E			

Fig. 4-1 Ordering Code

5 Application

Large generators require a high sensitivity of the rotor ground fault protection. The influence of the rotor ground capacitance must largely be eliminated, and the signal-to-noise ratio to the harmonics (for example 6th harmonic) of the excitation device must be increased.

This type of machine protection is implemented in the SIPROTEC family using the Injection Unit 7XT71 in combination with the Resistor Unit 7XR6004 and the Multifunctional Machine Protection 7UM62/Generator Protection 7UM85. This combination of devices continuously monitors the rotor ground resistance to ensure the sensitive rotor ground fault protection. From hardware version /DD, the Injection Unit 7XT71 can be connected to up to 2 devices 7UM62 or 7UM85. This enables the protection function to be assigned to 2 protection groups increasing the functional redundancy.

The square-wave generator of the Injection Unit 7XT71 generates a low-frequency square-wave voltage of approximately ± 50 V that can be adjusted in the device via a DIP switch in increments of 0.5 Hz, from 0.5 Hz to 4.0 Hz. The Resistor Unit 7XR6004 injects a square-wave voltage between the rotor winding of a generator and the ground brushes.

The square-wave voltage injected in the rotor winding causes a permanent charge reversal of the rotor ground capacitance. The ground current enters the measuring circuit of the Injection Unit 7XT71 where it is galvanically separated and injected into the measuring input of the 7UM62 or 7UM85. If no fault is present ($R_{\text{ground}} \approx$ infinite), the rotor ground current approximates zero after charging the ground capacitance. If a fault is present, the ground resistance and the series resistance of the Resistor Unit 7XR6004 and the supply voltage determine the stationary current. Simultaneously, the Injection Unit 7XT71 acquires the polarity reversal caused by the square-wave voltage (square-wave voltage and square-wave frequency) and injects it as galvanically separated control signals into the control input of the 7UM62/7UM85.

The 7UM62/7UM85 monitors the rotor ground circuit for interruptions by evaluating the rotor ground current during the polarity reversals.

The sensitivity of the rotor ground fault protection can detect fault resistances of up to 80 k Ω .

An AC/DC wide-range power supply unit processes the auxiliary voltage for the device modules in the Injection Unit 7XT71.

**NOTE**

7UM62:

The SIPROTEC manual 7UM62, order no. C53000-G1176-C149 provides a detailed description of the measurement method in combination with the 7UM62.

7UM85:

The SIPROTEC manual 7UM85, order no. C53000-G5040-C027 provides a detailed description of the measurement method in combination with the 7UM85.

6 Design

6.1 General Structure

All electrical function groups are installed on a printed circuit board assembly. This assembly also features a guide plate, an 18-pin plug connector and the front cover forming a module that can be plugged in (in the following referred to as plug-in module).

The plug-in module is installed in a 1/6 19" housing and is electrically connected to the 18-pin terminal strip affixed to the rear plate. Contact springs connect the plug-in module to the housing inside over a large area.

The electrical properties of the material used for the housing provide diversion and shielding functions.

To connect the low-impedance protective conductor ($\geq 4 \text{ mm}^2/\text{AWG 12}$), the lower part of the rear plate provides 2 contact points \oplus to which at least one copper band/conductor must be fastened with M4 screws over a large surface. 2 additional contact points \perp above are provided for grounding the cable shieldings.

IP51 applies to the housing (flush mounting variant) and IP20 to the screw terminals of the terminal strip. IP20 applies to the surface mounting variant of the device.



NOTE

The Injection Unit 7XT71 is available for panel surface mounting, panel flush mounting or cabinet flush mounting, depending on the ordering code, see Chapter 4.

6.2 Injection Unit 7XT7100-0BA00 for Panel Surface Mounting

The plug-in module is inserted into the sheet-metal housing and fastened with 2 screws. A Z angle for panel surface mounting is fastened to the upper and lower section of the front cover. When delivered from the factory, the Z angles are not yet screwed on.

The rear plate accommodates the terminal strip with 18 screw terminals for external cabling, 2 LEDs (RUN, ERROR) for signaling the device status and the grounding connections.

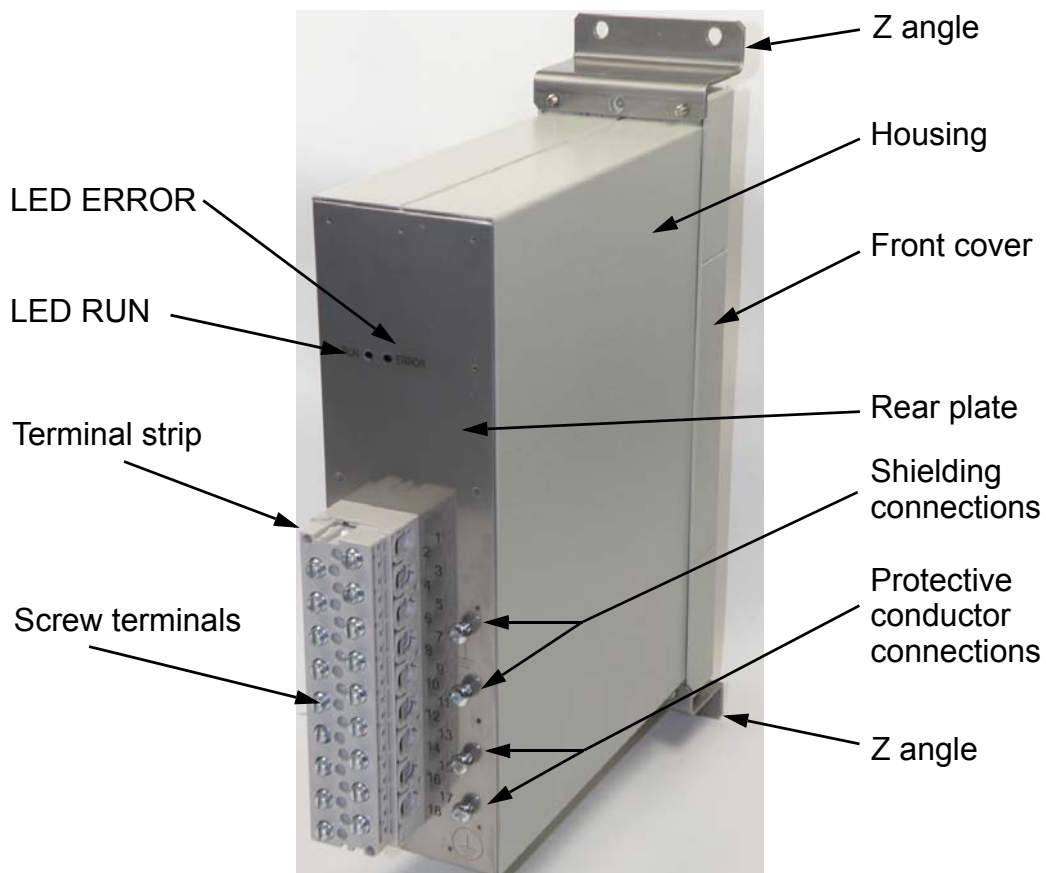


Fig. 6-1 Injection Unit 7XT7100-0BA00 for Panel Surface Mounting

In each screw terminal you can screw up to 2 ring-type or fork-type cable lugs on 2 copper cables. Chapter 8 lists the size of the ring-type or fork-type cable lugs and the possible maximum conductor diameters.



NOTE

The 2 LEDs on the front cover and on the rear plate have the same functions.

Figure 7-1 depicts the housing dimensions.

6.3 Injection Unit 7XT7100-0EA00 for Panel Flush Mounting or Cubicle Installation

The plug-in module is inserted into the sheet-metal housing and fastened with 2 screws.

2 LEDs (RUN, ERROR) on the upper section of the front cover signal the device status.

The rear plate accommodates the terminal strip with 18 screw terminals for external cabling and the grounding connections (see figure 6-1).



NOTE

The 2 LEDs on the front cover and on the rear plate of the device have the same functions.

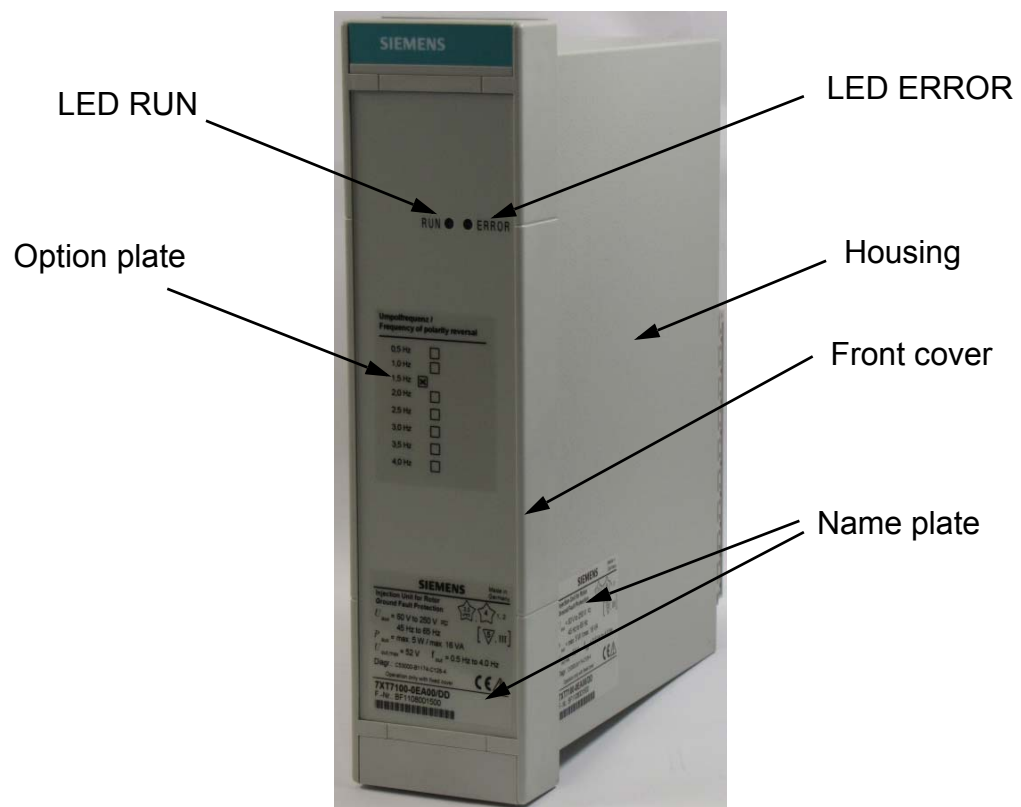


Fig. 6-2 Injection Unit 7XT7100-0EA00 for Panel Flush Mounting or Cubicle Installation

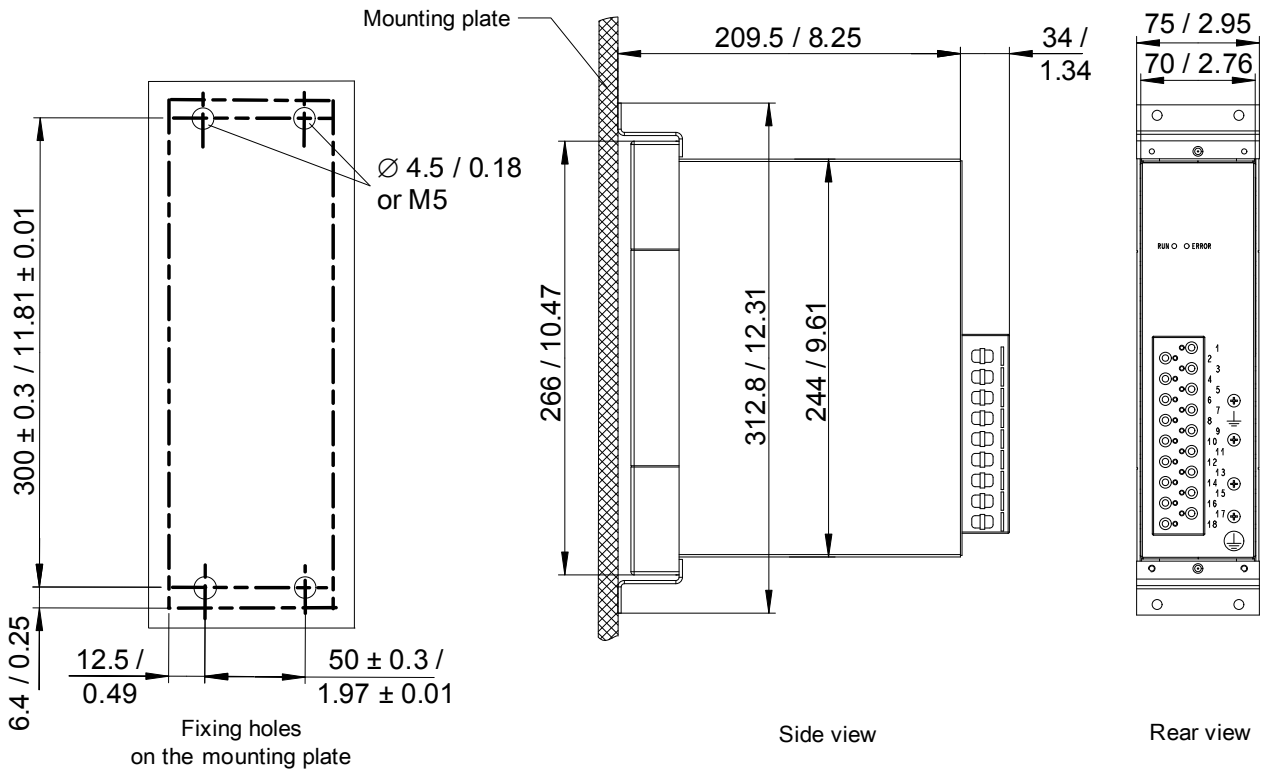
In each screw terminal you can screw up to 2 ring-type or fork-type cable lugs or up to 2 copper cables. Chapter 8 lists the size of the ring-type or fork-type cable lugs and the possible maximum conductor diameters.

Figure 7-2 depicts the housing dimensions.

7 Dimensions and Connections

7.1 Dimensions of the Injection Units 7XT7100

Injection Unit 7XT7100-0BA00 for Panel Surface Mounting



Dimensions in mm / inch

Fig. 7-1 Injection Unit 7XT7100-0BA00, Housing for Panel Surface Mounting

Injection Unit 7XT7100-0EA00 for Panel Flush Mounting or Cubicle Installation

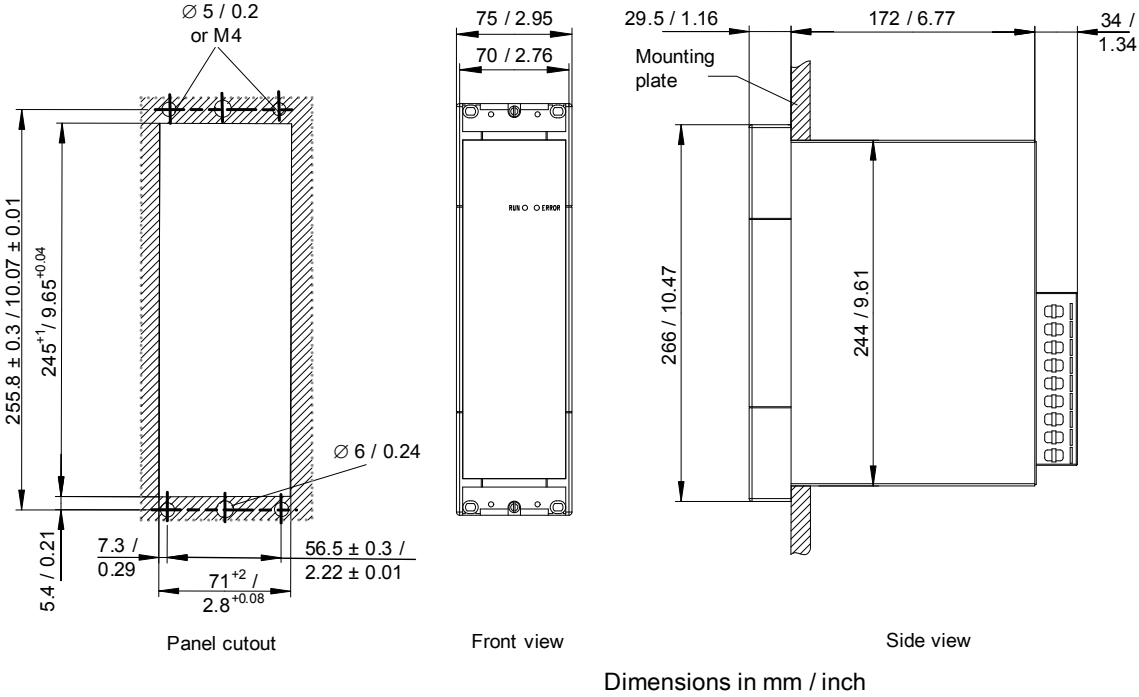


Fig. 7-2 Injection Unit 7XT7100-0EA00, Housing for Panel Flush Mounting or Cubicle Installation

7.2 Connections of the Injection Units 7XT7100

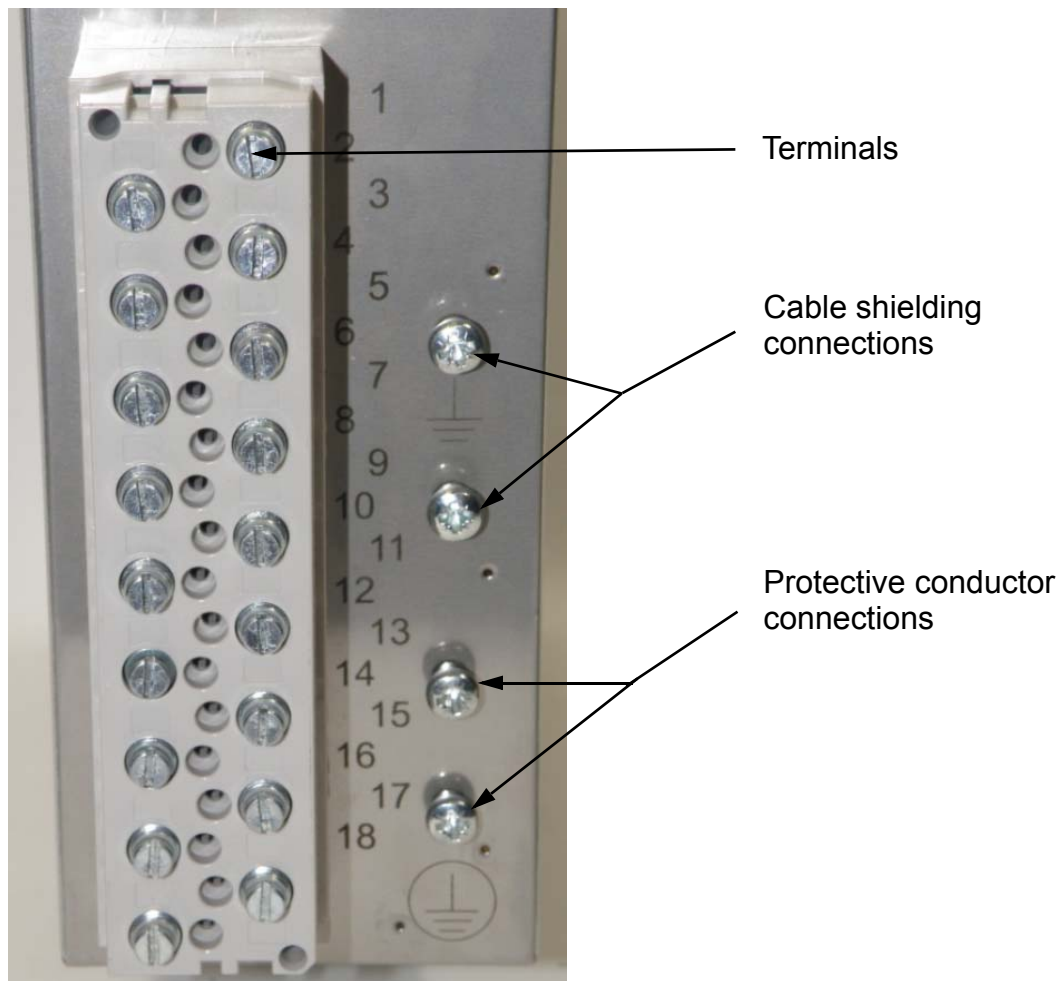


Fig. 7-3 Terminal Strip and Grounding Connections

Grounding Connections

- **Protective conductor connection:** screw at least one copper band/conductor to 2 contact points \oplus on the lower section of the rear plate over a large surface using M4 screws (torque = 1.5 Nm). Use at least a 4 mm² (or AWG12) protection conductor.
- **Shielding:** 2 contact points \ominus are provided for grounding the shielding.



NOTE

Observe the warning notes on grounding in Chapter 1 and Chapter 9.

Screw Terminals of the Terminal Strip

The screw terminals of the 18-pin terminal strip on the rear plate are screwed in loosely upon delivery.

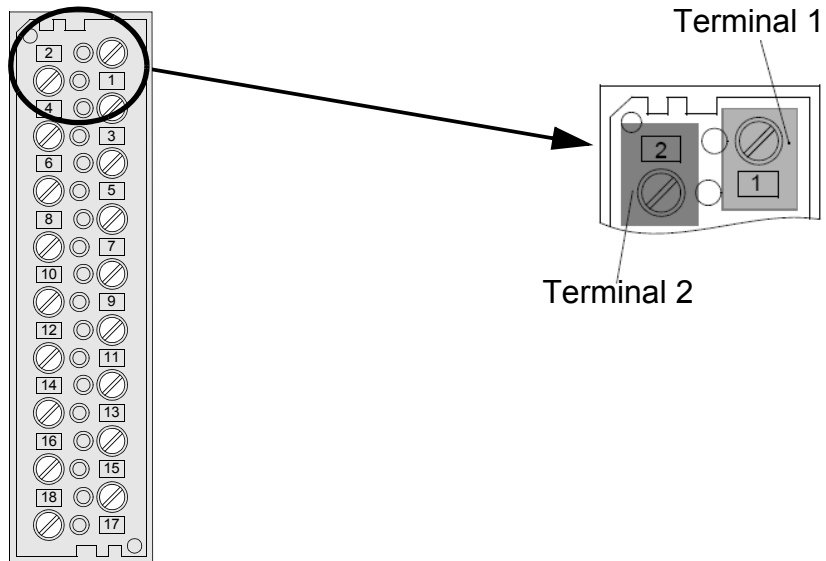


Fig. 7-4 Screw Terminals of the 18-pin Terminal Strip

Table 7-1 Terminal Strip

Terminal	Designation
1	$V_{\text{Output A}}$
2	$V_{\text{Output B}}$
3 to 6	not configured
7	$V_{\text{Control 2}}$
8	$V_{\text{Control 1}}$
9	$V_{\text{Control 2}}$
10	$V_{\text{Control 1}}$
11	$V_{\text{Meas 2}}$
12	$V_{\text{Meas 1}}$
13	$V_{\text{Meas 2}}$
14	$V_{\text{Meas 1}}$
15, 16	Not configured
17	Auxiliary voltage: N (-) neutral conductor
18	Auxiliary voltage: L (+) line conductor

1: Connection at device 1; 2: Connection at device 2

Connection Data for Cable Lugs and Conductors



NOTE

If you use ring-type or fork-type cable lugs with a non-insulated crimp zone or cable end sleeves with a non-insulated crimp zone, the crimp zone must be insulated with a heat-shrink insulation in order to observe the insulation distances.

Use only copper cables!

Table 7-2 Connection Data for Cable Lugs and Conductors

Connection with cable lugs		
Inside diameter	4 mm	Siemens recommends cable-end sleeves from Tyco Electronics AMP: Ring-type cable lugs: PIDG PN 320565-0 Fork-type cable lugs: PIDG PN 321233-0
Outside diameter	max. 10 mm	
Conductor cross-sections	1.0 mm ² to 2.6 mm ² ; AWG 16 to AWG 14	
Tightening torque	1.8 Nm	
Operating temperature range	- 5 °C to 55 °C/ 23 °F to 131 °F	
Connection with solid conductors or stranded wire conductors with cable end sleeve		
Conductor cross-sections	0.5 mm ² to 2.6 mm ² ; AWG 20 to AWG 14	Note: Plug the end of each conductor into the terminal chamber in a way that ensures that it is drawn into the terminal chamber when tightening the screw terminal. Cable end sleeves are required when using stranded wire cables.
Stripping length	9 mm to 10 mm	
Tightening torque	1.8 Nm	
Operating temperature range	- 5 °C to 55 °C/ 23 °F to 131 °F	

8 Assembly and Connection Notes

8.1 Unpacking of the Device

The device was packed in the factory according to the requirements of IEC 60255–21.

Unpack the device with care and do not use force. Use an appropriate tool if necessary. After unpacking, inspect the device visually for any mechanical defects.



NOTE

If the device has been damaged during transport, do not connect and operate it.

Observe any additional notes enclosed with the packaging.

Keep the transport packaging for future transport.

8.2 Panel Surface Mounting (7XT7100-0BA00)

- ✧ Remove the 2 cover caps on the front cover upward and downward, respectively.

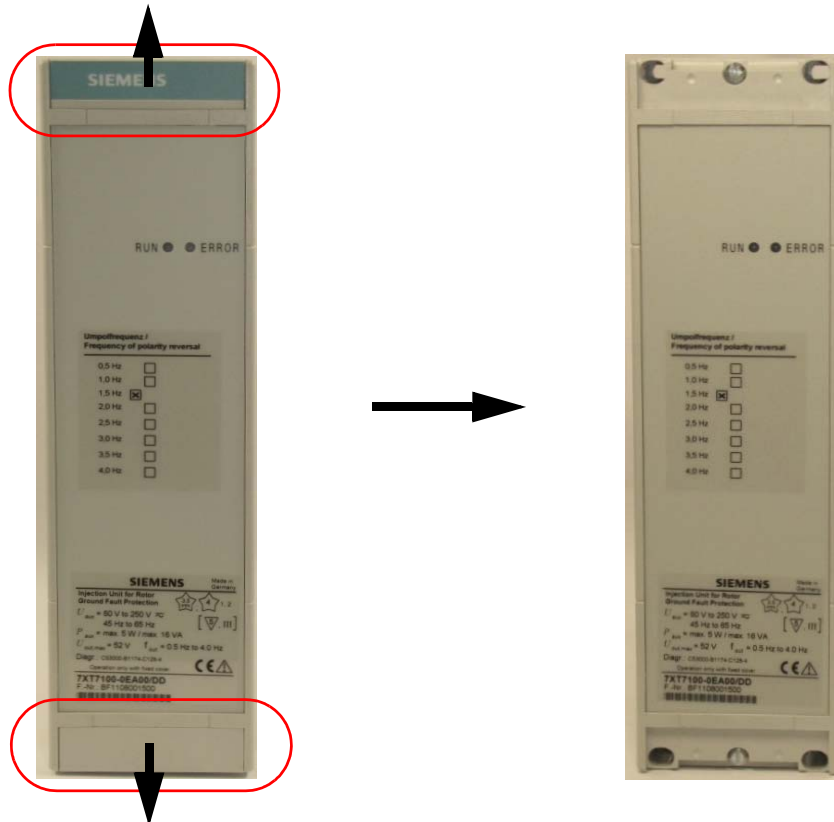


Fig. 8-1 Pulling off the Cover Caps

-
- ✧ Screw the 2 Z angles included in the delivery to the upper and lower part of the front cover using 2 M4 screws, respectively.

To do so, insert the screws into the bores on the front cover and screw the angles tight. The 2 bores on the small side of the Z angles have M4 threads.



Fig. 8-2 Attaching the Z Angles to the Front Cover

- ✧ Use 4 screws to fasten the device to the switch panel.



NOTE

Observe the dimensions and notes in Chapter 7.1.

-
- ✧ Wire the device as described in Chapter 8.4.
The terminal strip is accessible from the front for this type of assembly.

8.3 Panel Flush Mounting or Cubicle Installation (7XT7100-0EA00)

- ✧ Remove the 2 cover caps on the front cover upward and downward, respectively (see figure 8-1).
- ✧ Push the device either into the opening of the switch panel or into the control cabinet, depending on the application.



NOTE

Observe the dimensions and notes in Chapter 7.1.

- ✧ Use 4 screws to fasten the device to the switch panel or in the control cabinet.

M4 screws



M4 screws

Fig. 8-3 Installing the Device into the Switch Panel

- ✧ Push the 2 cover caps back into the front cover (see figure 8-1).
- ✧ Wire the device as described in Chapter 8.4.
The terminal strip is accessible from behind for this type of assembly.

8.4 Connection




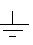
DANGER

Danger due to high touch voltages

Non-observance will result in death or severe injury.

- ✧ The work must be performed by electrically qualified personnel only (see Chapter 1) that is familiar with the safety regulations and precautionary measures and observes them.
 - ✧ Never perform the work when hazardous voltages are present.
 - ✧ De-energize the machine (control cabinet, switch panel) in which the device is to be operated before making the connections.
-

Grounding the Device

- ✧ Connect the protective conductor (copper band/copper cable) using one M4 screw at the lower contact point . Make sure that the protective conductor has a low impedance and a low inductance.
- ✧ Connect the shielding of the conductors using one M4 screw at the upper contact point .

Connection to the Terminal Strip

- ✧ Connect the Injection Unit 7XT71 to the other devices using the screw terminals of the terminal strip. Use only copper cables! Observe the marking of the individual connections, the allowed cross-sections and the tightening torque.



NOTE

Observe the information in Chapter 7.2, Section: **Screw Terminals of the Terminal Strip**.

When connecting 2 copper cables into one screw terminal, make sure that both cables have permanent contact with the screw terminal.

9 Commissioning

9.1 General Commissioning Notes



NOTE

Siemens recommends leaving the device at the installation site for at least 2 hours in order to equalize the temperature and avoid moisture and condensation.

The device is designed for use in industrial environment, for installation in standard relay rooms and compartments so that with proper installation electromagnetic compatibility (EMC) is ensured.

Siemens recommends:

- Equip contactors and relays operating within the same cabinet or on the same relay panel with digital protection equipment with suitable quenching equipment.
- If the construction allows it, install the Injection Unit 7XT71 and the 7UM62/7UM85 in the same control cabinet or close to each other.
- Use shielded connection cables with a maximum length of 10 m to connect the Injection Unit 7XT71 and the 7UM62/7UM85.

NOTICE

The printed circuit board assembly of the device contains electrostatic sensitive devices (ESD), for example CMOS circuits

Non-observance of the ESD regulations can result in material damage.

- ✧ Observe the ESD regulations.
- ✧ Prevent electrostatic charging in the environment of the printed circuit board assembly.
- ✧ It is **not allowed** to plug in or remove the plug-in module when auxiliary voltage is applied.

There is no risk once the modules are installed.

9.2 Changing the Polarity Reversal Frequency

9.2.1 Operating Conditions

Factory Setting for the Polarity Reversal Frequency

A polarity reversal frequency (frequency of the square-wave generator) of 1.5 Hz is preset from the factory for normal operating conditions. This setting is documented on the sticker affixed to the device.

Operating Conditions that Require the Polarity Reversal Frequency to be Increased

- Rotor ground capacitance too low

The reduction of the measuring time is achieved by increasing the polarity reversal frequency.

Operating Conditions that Require the Polarity Reversal Frequency to be Reduced

- Rotor ground capacitance too large
- Capacitors are switched against ground in the excitation machine

To obtain an accurate measurement, make sure that the rotor ground capacitance is charged before the charge reversal. This requires the output voltage at the measuring output to be constant (ideally zero) for at least 100 ms when there is no fault. For large ground capacitances, this can be achieved by reducing the polarity reversal frequency.



NOTE

7UM62:

The SIPROTEC manual 7UM62, ordering code C53000-G1176-C149 provides a detailed description of how to determine the current operating conditions using the 7UM62.

7UM85:

The SIPROTEC manual 7UM85, order no. C53000-G5040-C027 provides a detailed description of how to determine the current operating conditions using the 7UM85.

9.2.2 Removing and Installing the Plug-in Module



NOTE

Observe the notes on electrostatic sensitive devices in Chapter 9.1.

Removing and Installing the Plug-in Module of the Injection Unit in the Surface-mounting Housing 7XT7100-0BA00

- ✧ Switch off the device that supplies the auxiliary voltage to the Injection Unit 7XT71.
 - ✧ Switch off all voltages that supply the device.
-



NOTE

The cables connected to the terminal strip do not necessarily have to be disconnected from the device. Only disconnect the cables from the terminal screws if there is insufficient installation clearance for the steps described in the following. Observe the safety notes in Chapter 8.4.

- ✧ Release and remove the 2 screws at the lower and upper Z angle that fasten the device to the switch panel.
- ✧ Detach the device from the switch panel.
- ✧ Release the 4 screws that fasten the Z angle to the housing and remove the Z angles (see figure 8-2).
- ✧ Remove the 2 cover caps on the front cover upward and downward, respectively (see figure 8-1).
- ✧ Unscrew and remove the center screws on the upper and lower front cover.

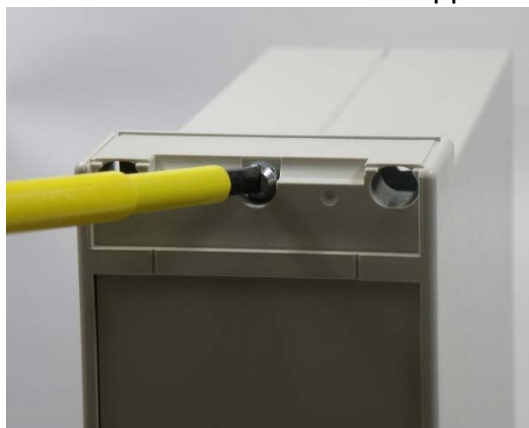


Fig. 9-1 Layout of the Front Cover

-
- ✧ Carefully pull the plug-in module out of the housing and put it down so that DIP switch S1 is accessible.
 - ✧ If you have performed all necessary work on the printed circuit board assembly, reinstall the plug-in module in the reverse sequence.

Removing and Installing the Plug-in Module of the Injection Unit in the Flush-mounting Housing 7XT7100-0EA00

- ✧ Switch off the device that supplies the auxiliary voltage to the Injection Unit 7XT71.
- ✧ Switch off all signal voltages that supply the device.
- ✧ Remove the 2 cover caps on the front cover upward and downward, respectively (see figure 8-1).
- ✧ Unscrew and remove the center screws on the upper and lower front cover.
- ✧ Carefully pull the plug-in module out of the housing and put it down so that DIP switch S1 is accessible.
- ✧ If you have performed all necessary work on the printed circuit board assembly, reinstall the plug-in module in the reverse sequence.

9.2.3 Frequency Setting

The DIP switch S1 on the printed circuit board assembly allows you to adjust the polarity reversal frequency (frequency of the square-wave generator).

The DIP switch is located as follows on the printed circuit board assembly:

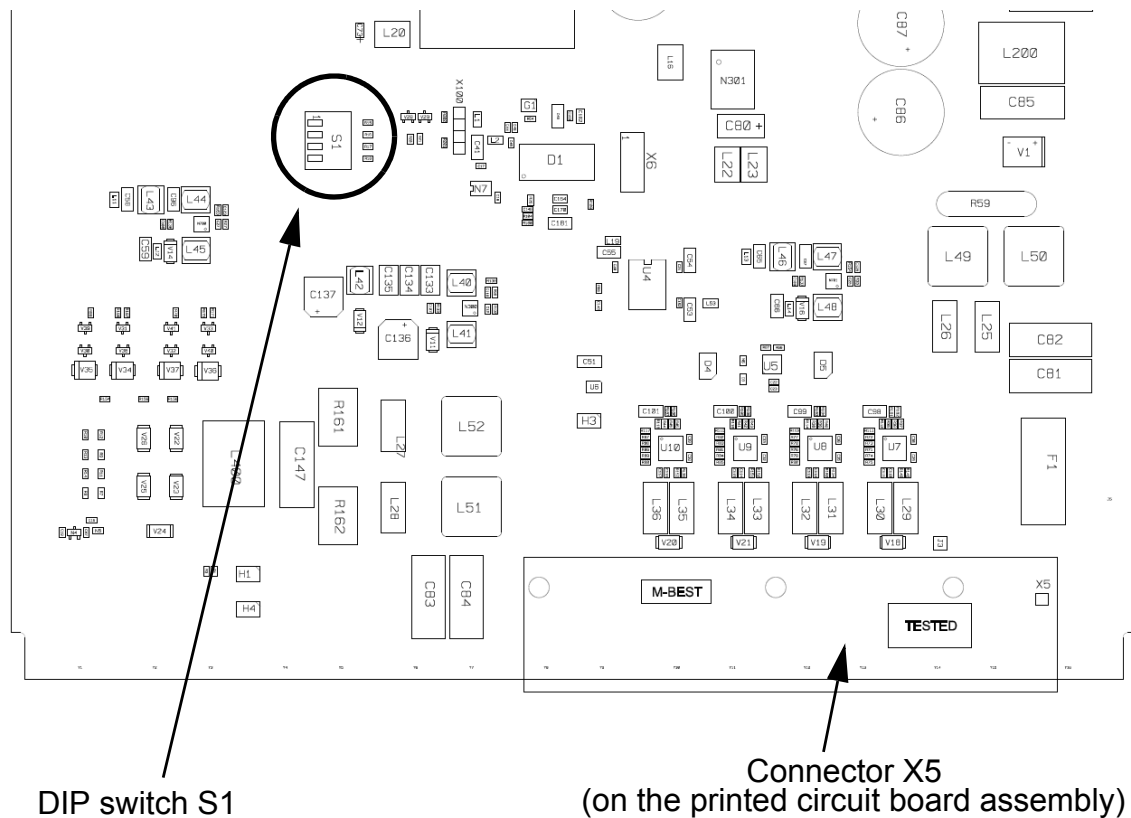


Fig. 9-2 Location of DIP Switch S1 on the Printed Circuit Board Assembly

The frequency settings with DIP switch S1 are listed in the following figure:

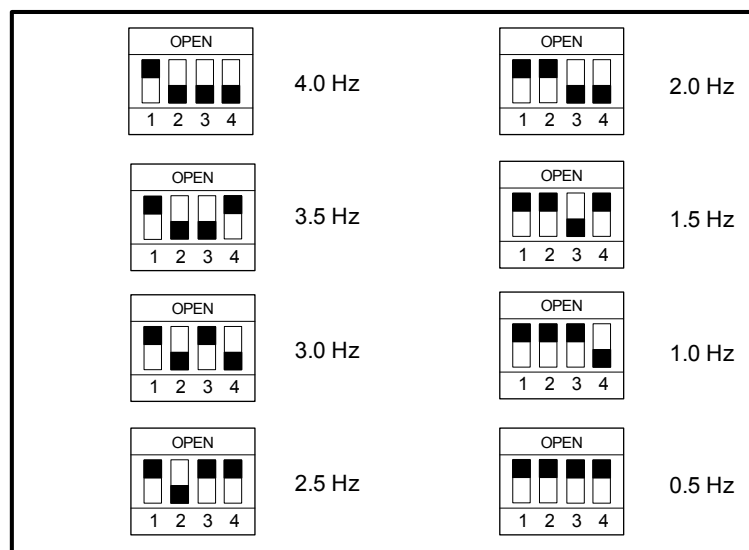


Fig. 9-3 Settings of the Frequency with DIP Switch S1

- ✧ Adjust the desired frequency at DIP switches S1.1 to S1.4 according to figure 9-2.
- ✧ Reinstall the device as described in Chapter 9.2.2.
- ✧ If you have disconnected the cables from the terminal strip, reconnect the cables to the screw terminals. Observe the correct wiring when doing so.
- ✧ Take the device into operation.
- ✧ Check the test value for the Injection Unit 7XT71 at the 7UM62/7UM85.
- ✧ If the test values are correct, the frequency setting is finished.
- ✧ Note the new frequency on the sticker affixed to the device.

Umpolffrequenz / Frequency of polarity reversal	
0,5 Hz	<input type="checkbox"/>
1,0 Hz	<input type="checkbox"/>
1,5 Hz	<input checked="" type="checkbox"/>
2,0 Hz	<input type="checkbox"/>
2,5 Hz	<input type="checkbox"/>
3,0 Hz	<input type="checkbox"/>
3,5 Hz	<input type="checkbox"/>
4,0 Hz	<input type="checkbox"/>

Fig. 9-4 Sticker for Adjusted Frequency



NOTE

If the 7UM62/7UM85 does not show any correct values yet, repeat the frequency setting at the Injection Unit 7XT71 until the values approximate the required operating conditions.

9.3 LEDs

The Injection Unit 7XT71 features 2 LEDs on the front cover and 2 LEDs on the back plate. The LEDs with the same designation are switched in parallel so that the device status is visible for both the surface-mounting and the flush-mounting version.

The LEDs signal the following operating states:

Table 9-2 LEDs

LED	Meaning
RUN	Device ready
ERROR	Device not operational

10 Maintenance and Repair

Maintenance

The Injection Unit 7XT71 is maintenance-free.

Wipe the device using a clean, dry and soft cloth if necessary. Do not use solvents.

Repair

You are **not authorized** to troubleshoot or repair a defective device. This does not apply to replacing the F1 microfuse on the printed circuit board assembly. Special electronic modules are inserted in the Injection Unit 7XT71 which can only be replaced by the manufacturer according to the guidelines for electrostatic sensitive devices (ESD).

If you suspect any damage on the device, Siemens recommends sending the entire device to the manufacturer. For this purpose, it is best to use the original transport packaging or similar packaging.

Replacing the Microfuse F1

The power supply of the device is protected by a T2A/250V microfuse. The latter is held by a snap-in fastener on the printed circuit board assembly and can be accessed by pulling the plug-in module out of the housing.

- ❖ To replace the microfuse F1, remove the plug-in module as described in Chapter 9.2.2.
- ❖ Take the defective fuse F1 out of the snap-in fastener.

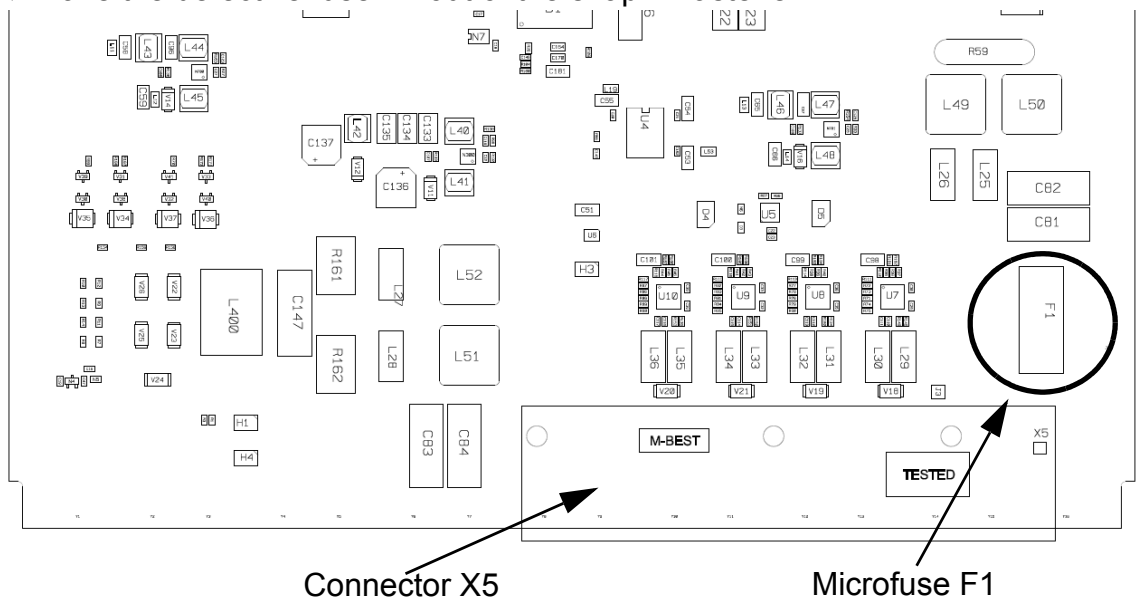


Fig. 10-1 Location of the Microfuse F1 on the Printed Circuit Board Assembly

-
- ✧ Insert the new microfuse T2A/250V into the snap-in fastener.
-



WARNING

Warning against using an improperly dimensioned microfuse.

Non-observance can result in death or severe injury.

- ✧ Use only microfuses of type T2A/250V.
-
- ✧ Reinstall the device as described in Chapter 9.2.2.
 - ✧ If you have disconnected the cables from the terminal strip, reconnect the cables to the screw terminals. Observe the correct wiring when doing so.
 - ✧ Take the device into operation.

11 Storage and Transport

Store the device in a dry and clean location. Store the device within a temperature range from -25 °C to $+55\text{ °C}$, corresponding to -13 °F to 131 °F .

The relative humidity must be within limits such that neither condensation nor ice forms.

To avoid premature aging of the electrolytic capacitors, store the device within the recommended temperature range of $+10\text{ °C}$ to $+35\text{ °C}$ (50 °F to 95 °F).

Siemens furthermore recommends connecting the device to auxiliary voltage once a year for 1 to 2 days in order to form the inserted electrolytic condensers. This procedure should also be carried out before operating the device.

For further transport, use the transport packaging in the same way. The storage packaging of the individual devices is not suited for transport. If alternative packaging is used, this must also provide the same degree of protection against mechanical shock and vibration as laid down in IEC 60255–21–1 class 2 and IEC 60255–21–2 class 1.

12 Technical Data

12.1 General Device Data

Auxiliary Voltage, DC; Terminals 17 (-) and 18 (+)

Nominal auxiliary DC voltage	60 V to 250 V
Admissible range of the nominal auxiliary DC voltage	48 V to 300 V
AC ripple voltage, peak-to-peak	$\leq 12\%$ at rated voltage, IEC 60255-11
Power consumption	$< 6\text{ W}$
Bridging time for failure/short-circuit of the auxiliary DC voltage	$\geq 50\text{ ms}$
Recommended external protection	Miniature circuit breaker 6 A, characteristic C according to IEC 60898

Auxiliary Voltage, AC; Terminals 17 (N) and 18 (L)

Nominal auxiliary AC voltage	60 V to 250 V
Admissible range of the nominal auxiliary AC voltage	48 V to 285 V
System frequency	45 Hz to 65 Hz
Power consumption	$< 10\text{ VA}$
Bridging time for failure/short-circuit of the auxiliary AC voltage	$\geq 50\text{ ms}$
Recommended external protection	Miniature circuit breaker 6 A, characteristic C according to IEC 60898

Voltages/Currents at the Terminals

Terminal 1 (V_{OutputA}) and Terminal 2 (V_{OutputB})	
Output voltage $V_{\text{OutputA/B}}$	$\pm 50\text{ V} \pm 10\%$
Output current at $V_{\text{OutputA/B}}$	$< \pm 5\text{ mA}$
Maximum output current at $V_{\text{OutputA/B}}$	$< \pm 20\text{ mA}$, short-circuit proof
Terminals 8, 10 (V_{Control1}) and 7, 9 (V_{Control2})	
Output voltage $V_{\text{Control1/2}}$	$< \pm 15\text{ V}$
Maximum output current at $V_{\text{Control1/2}}$	$< \pm 2\text{ mA}$, short-circuit proof

Terminals 12, 14 (V_{Meas1}) and 11, 13 (V_{Meas2})	
Output voltage $V_{Meas1/2}$	< ± 15 V
Maximum output current at $V_{Meas1/2}$	< ± 2 mA, short-circuit proof

Settings

Output frequency at $V_{Output} A/B$ (setting with DIP switch)	
Setting range	0.5 to 4.0 Hz ± 5 %
Settings	0.5 Hz, 1.0 Hz, 1.5 Hz, 2.0 Hz, 2.5 Hz, 3.0 Hz, 3.5 Hz, 4.0 Hz
Default setting	1.5 Hz

Constructive Design

Housing	7XP20, 1/6 19 inch case
Dimensions	
7XT7100-0BA00	312.8 mm x 75.0 mm x 243.5 mm / 12.31 inch x 2.95 inch x 9.59 inch with Z angles and terminal strip
7XT7100-0EA00	266.0 mm x 75.0 mm x 235.5 mm / 10.47 inch x 2.95 inch x 9.27 inch with terminal strip
Mass	
7XT7100-0BA00	2.3 kg
7XT7100-0EA00	2.1 kg
Degree of protection acc. to EN 60529 (flush mount variant)	
Front	IP51
Housing and terminals	IP20
Degree of protection acc. to EN 60529 (surface mount variant)	
Device	IP20

Firmware Version of the Protection Device 7UMxx

7UM62	from V4.00
7UM85	from V7.30

12.2 Test Data

12.2.1 Electrical Tests

Standards

Standards:	IEC 60255-26 (product standard) IEEE Std C37.90 For more standards see also individual functions
------------	--

Installation Requirements

Overvoltage category	III
Degree of pollution	2
Protection class	1

Insulation Test and Safety Test

Standards:	IEC 60255-27
High voltage test (routine test) Output: Terminals 1, 2 against all others terminals	DC 5.8 kV
High voltage test (routine test) Auxiliary voltage: Terminals 17, 18, case against all others terminals	DC 3.5 kV
High voltage test (routine test) Outputs: Terminals 7 to 14 against all others terminals	DC 2.5 kV
Impulse voltage test (type test), output and auxiliary voltage, class III	6 kV (peak); 1.2 μ s/50 μ s; 0.5 J; 3 positive and 3 negative impulses at intervals of 5 s

EMC Tests for Immunity (Type Tests)

Standards:	IEC 60255-1, IEC 60255-26 (product standards) EN 61000-6-2 (generic standard) For more standards, see also individual functions
High frequency (1 MHz), class III IEC 61000-4-18, IEEE C37.90.1	2.5 kV (peak); 1 MHz; $\tau = 15 \mu\text{s}$; 400 surges per s; Test duration 2 s, $R_i = 200 \Omega$
Electrostatic discharge test IEC 61000-4-2	8 kV contact discharge; 15 kV air discharge, both polarities; 150 pF; $R_i = 330 \Omega$
Radio-frequency electromagnetic field, Frequency sweep IEC 61000-4-3, class III	10 V/m; 80 MHz to 1 GHz; 80 % AM; 1 kHz and spot frequencies 10 V/m; 1 GHz to 2.7 GHz; 80 % AM; 1 kHz
Fast transient bursts, class IV IEC 61000-4-4, IEEE C37.90.1	4 kV; 5 ns/50 ns; 5 kHz; burst length = 15 ms; repetition rate 300 ms; both polarities; $R_i = 50 \Omega$; test duration 1 min
HF on lines, amplitude-modulated, Class III IEC 61000-4-6	10 V; 150 kHz to 80 MHz; 80 % AM; 1 kHz and spot frequencies
Power system frequency magnetic field and IEC 61000-4-8	0.5 mT; 50 Hz 30 A/m continuous; 300 A/m for 3 s; 50 Hz
Oscillatory surge withstand capability ANSI/IEEE C37.90.1	2.5 kV (peak value); 1 MHz, $\tau = 15 \mu\text{s}$; 400 pulses per s; Test duration 2 s; $R_i = 200 \Omega$
Radiated electromagnetic interference IEEE C37.90.2	20 V/m 80 MHz to 1 GHz 80 % AM 1 kHz

Damped oscillations IEC 61000-4-18	2.5 kV (peak) 100 kHz, 40 surges per s; test duration 2 s; $R_i = 200 \Omega$
High-energy surge voltages IEC 61000-4-5	Puls: 1.2/50 μ s
Auxiliary voltage	Common mode: 2 kV; 12 Ω ; 9 μ F Diff. mode: 1 kV; 2 Ω ; 18 μ F
0.5 to 4-Hz output	Common mode: 2 kV; 42 Ω ; 0.5 μ F Diff. mode: 1 kV; 42 Ω ; 0.5 μ F
Measuring output (cable shield)	Common mode: 2 kV; 2 Ω coupling into shield

EMC Test for Noise Emission (Type Test)

Standard:	IEC 60255-26 (product standard) IEC 61000-6-4 (generic standard)
Conducted interference voltage, only auxiliary voltage CISPR 22	150 kHz to 30 MHz limit value class A
Interference field strength CISPR 11	30 MHz to 1000 MHz limit value class A

12.2.2 Mechanical Stress Tests

Vibration and Shock Stress during Stationary Operation

Standards:	IEC 60255-21 and IEC 60068
Oscillation IEC 60255-21-1, class II; IEC 60068-2-6 test Fc	Sinusoidal 10 Hz to 58 Hz: ± 0.075 mm amplitude; 58 Hz to 150 Hz: 1 g acceleration frequency sweep rate 1 octave/min 20 cycles in 3 orthogonal axes.
Shock IEC 60255-21-2, class I; IEC 60068-2-27 test Ea	Semi-sinusoidal 5 g acceleration, duration 11 ms, each 3 shocks in both directions of the 3 axes
Seismic vibration IEC 60255-21-3, class II; IEC 60068-3-3 test Fc	Sinusoidal 3 Hz to 8 Hz: ± 8 mm amplitude (horizontal axis) 1 Hz to 8 Hz: ± 4 mm amplitude (vertical axis) 8 Hz to 35 Hz: 2 g acceleration (horizontal axis) 8 Hz to 35 Hz: 1 g acceleration (vertical axis) Frequency sweep: 1 octave/min 1 cycle in 3 orthogonal axes

Vibration and Shock Stress during Transport

Standards:	IEC 60255-21 and IEC 60068-2
Oscillation IEC 60255-21-1, class 2; IEC 60068-2-6 test Fc	Sinusoidal 5 Hz to 8 Hz: ± 7.5 mm amplitude; 8 Hz to 150 Hz: 2 g acceleration Frequency sweep 1 octave/min 20 cycles in 3 orthogonal axes
Shock IEC 60255-21-2, class 1; IEC 60068-2-27 test Ea	Semi-sinusoidal 15 g acceleration, duration 11 ms, each 3 shocks (in both directions of the 3 axes)
Continuous Shock IEC 60255-21-2, class 1; IEC 60068-2-29 test Ea	Semi-sinusoidal 10 g acceleration, duration 16 ms, each 1000 shocks (in both directions of the 3 axes)

12.2.3 Climatic Stress Tests

Temperatures

Standards:	IEC 60255-6
Recommended temperature during operation	
Rated auxiliary voltage +15 %	-5 °C to +40 °C; +23 °F to +104 °F
Rated auxiliary voltage +10 %	-5 °C to +55 °C; +23 °F to +131 °F
Limit temperatures	
for storage	-25 °C to +55 °C; -13 °F to 131 °F
for transport	-25 °C to +70 °C; -13 °F to +158 °F
Storage and transport with factory packaging	

Humidity

Permissible humidity	Mean value per year \leq 75 % relative humidity; on 56 days of the year up to 95 % relative humidity; condensation must be avoided!
Siemens recommends that all devices be installed such that they are not exposed to direct sunlight, nor subject to large fluctuations in temperature that can cause condensation.	

Other Environmental Information

Maximum altitude above sea level	2000 m (6561.68 ft)
Minimum admissible atmospheric pressure	783.8 hPa

13 Block Diagram

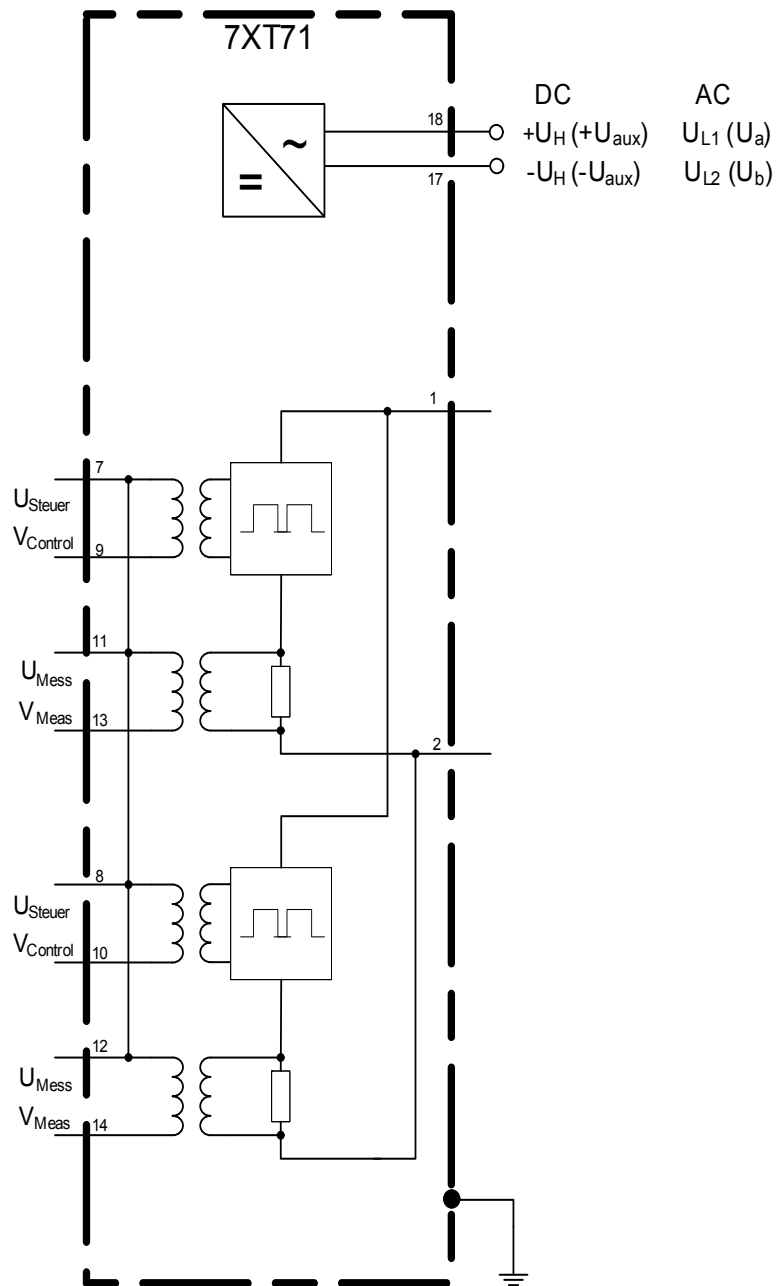


Fig. 13-1 Block Diagram of Injection Unit 7XT71

NOTE

The voltage between terminal 1 and terminal 2 (and to ground) must not exceed AC 300 V.

Non-observance can result in material damage.

✧ Apply suitable protection measures.

14 Connection Diagrams

Abbildung 1-1: Anschlußplan für Erregerspannungen < DC 850 V
 Figure 1-1: Connection Diagram for excitation voltages < DC 850 V

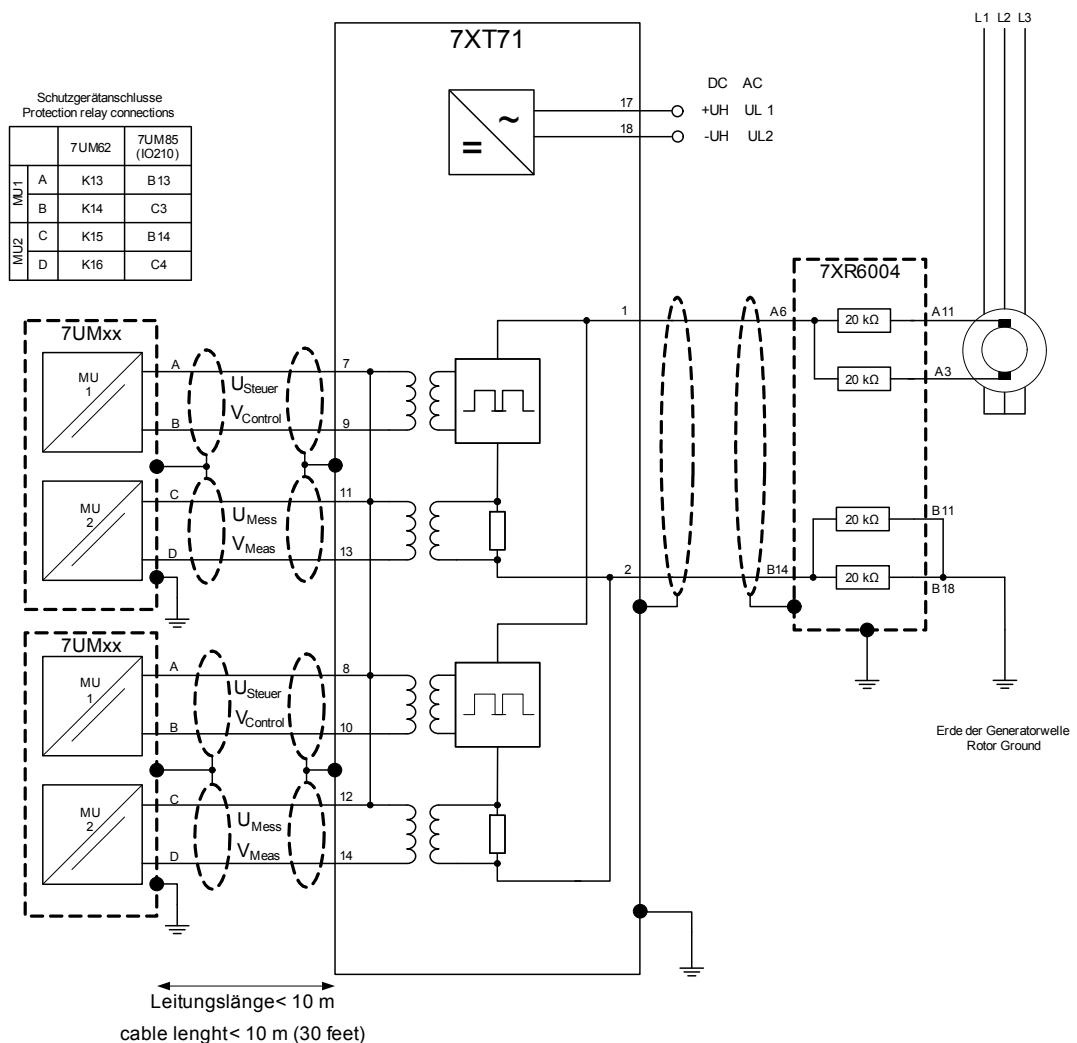


Fig. 14-1 Connection Diagram for excitation voltages < DC 850 V

NOTE

The voltage between terminal 1 and terminal 2 (and to ground) must not exceed AC 300 V.

Non-observance can result in material damage.

✧ Apply suitable protection measures.

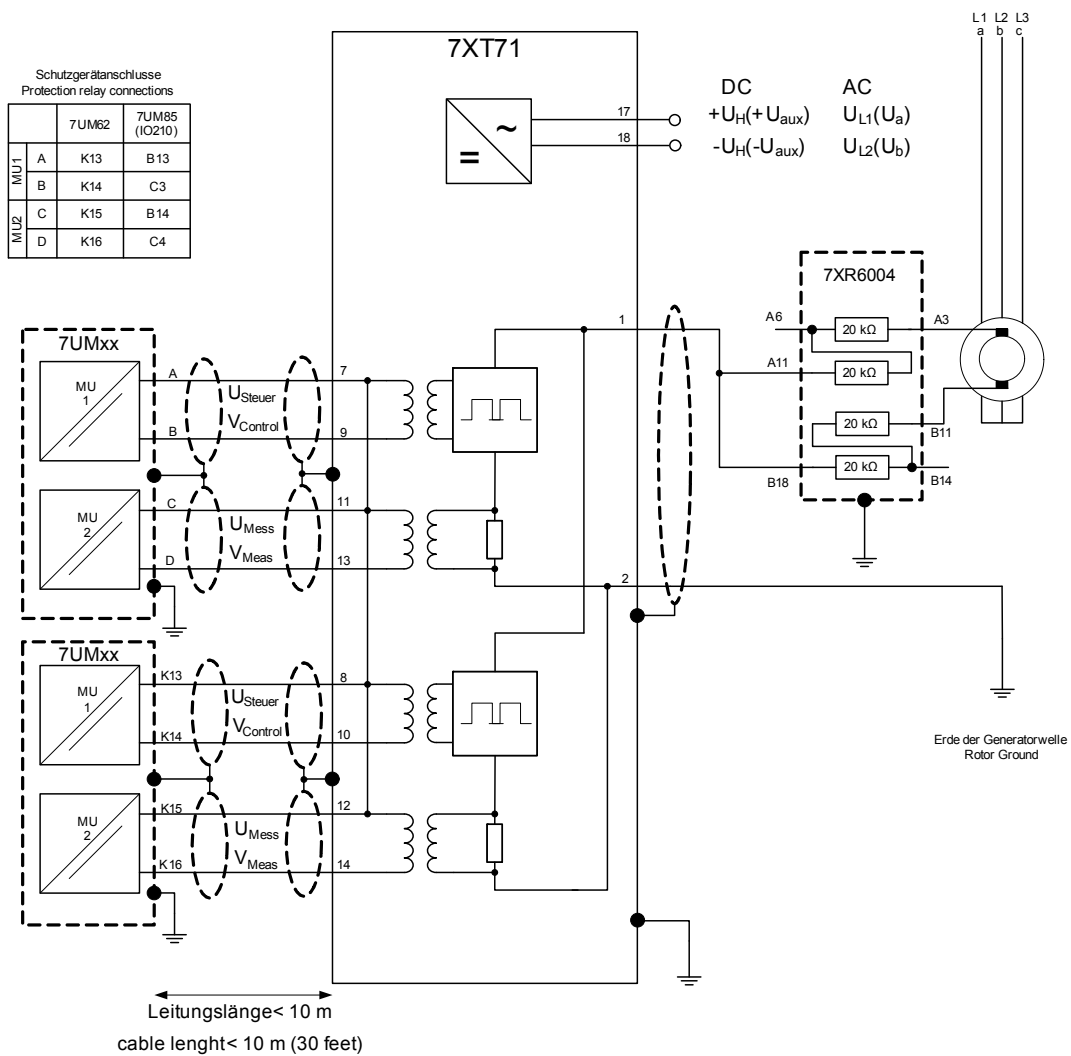


Fig. 14-2 Connection Diagram for excitation voltages < DC 1200 V

NOTE

The voltage between terminal 1 and terminal 2 (and to ground) must not exceed AC 300 V.

Non-observance can result in material damage.

✧ Apply suitable protection measures.

History

Device version	Changes
7XT7100-0BA00/BB 7XT7100-0EA00/BB	1st approach
7XT7100-0BA00/DD 7XT7100-0EA00/DD	Hardware redesign Update housing New 18-pin terminal, Attention: The pin numbers have changed their function! It is possible to connect 2 7UM62/7UM85 devices.
7XT7100-0BA00/EE 7XT7100-0EA00/EE	Firmware improvements.

SIEMENS

SIPROTEC 4/5

Vorschaltgerät 7XT71

(für den Läufererdschlussschutz mit 1 Hz bis 3 Hz)

7XT7100-0*A00/EE

Produktinformation

(gültig ab Hardware-Ausführung /EE)

C53000-B1174-C128-7



HINWEIS

Bitte beachten Sie die Hinweise und Warnungen zu Ihrer Sicherheit in diesem Dokument.



HINWEIS

Diese Produktinformation enthält **wichtige Informationen zum Vorschaltgerät 7XT71**.

Sie ist Bestandteil des gelieferten Produkts.

Die Aussagen in dieser Produktinformation sind in Zweifelsfällen in der Verbindlichkeit anderen Aussagen übergeordnet.

Haftungsausschluss

Dieses Dokument wurde vor seiner Herausgabe einer sorgfältigen technischen Prüfung unterzogen. Es wird in regelmäßigen Abständen überarbeitet und entsprechende Änderungen und Ergänzungen sind in den nachfolgenden Ausgaben enthalten. Der Inhalt dieses Dokuments wurde ausschließlich für Informationszwecke konzipiert. Obwohl die Siemens AG sich bemüht hat, das Dokument so präzise und aktuell wie möglich zu halten, übernimmt die Siemens AG keine Haftung für Mängel und Schäden, die durch die Nutzung der hierin enthaltenen Informationen entstehen.

Diese Inhalte werden weder Teil eines Vertrags oder einer Geschäftsbeziehung noch ändern sie diese ab. Alle Verpflichtungen der Siemens AG gehen aus den entsprechenden vertraglichen Vereinbarungen hervor.

Die Siemens AG behält sich das Recht vor, dieses Dokument von Zeit zu Zeit zu ändern.

Dokumentversion: C53000-B1174-C128-7.00
Ausgabestand: 09.2016
Version des beschriebenen Produkts: /EE

Copyright

Copyright © Siemens AG 2016. Alle Rechte vorbehalten.

Weitergabe sowie Vervielfältigung, Verbreitung und Bearbeitung dieses Dokuments, Verwertung und Mitteilung des Inhaltes sind unzulässig, soweit nicht schriftlich gestattet. Alle Rechte für den Fall der Patenterteilung, Geschmacks- oder Gebrauchsmustereintragung sind vorbehalten.

Eingetragene Markenzeichen

SIMATIC[®], SIMATIC NET[®], SIPROTEC[®], DIGSI[®], SICAM[®], SIMEAS[®], SINAUT[®], OSCOP[®] und DAKON[®] sind eingetragene Warenzeichen der Siemens AG. Jede nicht autorisierte Verwendung ist unzulässig.

Alle anderen Beschreibungen in diesem Dokument bzw. in diesen Informationen können Warenzeichen enthalten, deren Verwendung durch Dritte für ihre eigenen Zwecke die Rechte des Eigentümers möglicherweise verletzen.

Inhaltsverzeichnis

1	Hinweise zu Ihrer Sicherheit	2
2	Angaben zur Konformität	4
3	Verwendete Symbole	5
4	Bestellinformationen	6
5	Anwendung	7
6	Aufbau	9
7	Abmessungen und Anschlüsse	12
8	Hinweise für Montage und Anschluss	17
9	Inbetriebnahme	22
10	Wartung und Instandsetzung	29
11	Lagerung und Transport	30
12	Technische Daten	31
13	Blockschaltbild	38
14	Anschlusspläne	39

1 Hinweise zu Ihrer Sicherheit

Dieses Handbuch stellt kein vollständiges Verzeichnis aller für einen Betrieb des Betriebsmittels (Baugruppe, Gerät) erforderlichen Sicherheitsmaßnahmen dar, weil besondere Betriebsbedingungen weitere Maßnahmen erforderlich machen können. Es enthält jedoch Hinweise, die Sie zu Ihrer persönlichen Sicherheit sowie zur Vermeidung von Sachschäden beachten müssen. Die Hinweise sind durch ein Warndreieck hervorgehoben und je nach Gefährungsgrad wie folgt dargestellt.



GEFAHR

Gefahr bedeutet, dass Tod oder schwere Verletzungen eintreten **werden**, wenn die angegebenen Maßnahmen nicht getroffen werden.

- ✧ Beachten Sie alle Hinweise, um Tod oder schwere Verletzungen zu vermeiden.



WARNUNG

Warnung bedeutet, dass Tod oder schwere Verletzungen eintreten **können**, wenn die angegebenen Maßnahmen nicht getroffen werden.

- ✧ Beachten Sie alle Hinweise, um Tod oder schwere Verletzungen zu vermeiden.



VORSICHT

Vorsicht bedeutet, dass mittelschwere oder leichte Verletzungen eintreten können, wenn die angegebenen Maßnahmen nicht getroffen werden.

- ✧ Beachten Sie alle Hinweise, um mittelschwere oder leichte Verletzungen zu vermeiden.

ACHTUNG

Achtung bedeutet, dass Sachschäden entstehen können, wenn die angegebenen Maßnahmen nicht getroffen werden.

- ✧ Beachten Sie alle Hinweise, um Sachschäden zu vermeiden.



HINWEIS

ist eine wichtige Information über das Produkt, die Handhabung des Produktes oder den jeweiligen Teil der Dokumentation, auf den besonders aufmerksam gemacht werden soll.

Elektrotechnisch qualifiziertes Personal

Inbetriebsetzung und Betrieb eines in diesem Handbuch beschriebenen Betriebsmittels (Baugruppe, Gerät) dürfen nur von elektrotechnisch qualifiziertem Personal vorgenommen werden. Elektrotechnisch qualifiziertes Personal im Sinne der sicherheitstechnischen Hinweise dieses Handbuches sind Personen, die die Berechtigung haben, Geräte, Systeme und Stromkreise gemäß den Standards der Sicherheitstechnik in Betrieb zu nehmen, freizuschalten, zu erden und zu kennzeichnen.

Bestimmungsgemäßer Gebrauch

Das Betriebsmittel (Gerät, Baugruppe) darf nur für die im Katalog und der technischen Beschreibung vorgesehenen Einsatzfälle und nur in Verbindung mit von Siemens empfohlenen bzw. zugelassenen Fremdgeräten und -komponenten verwendet werden.

Wird das Gerät nicht gemäß dieser Produktinformation benutzt, ist der vorgesehene Schutz beeinträchtigt.

Der einwandfreie und sichere Betrieb des Produktes setzt sachgemäßen Transport, sachgemäße Lagerung, Aufstellung und Montage sowie Bedienung und Instandhaltung voraus.

Beim Betrieb elektrischer Betriebsmittel stehen zwangsläufig bestimmte Teile dieser Betriebsmittel unter gefährlicher Spannung. Es können deshalb schwere Körperverletzungen oder Sachschäden auftreten, wenn nicht fachgerecht gehandelt wird:

- Vor Anschluss irgendwelcher Verbindungen ist das Betriebsmittel am Erdungsanschluss zu erden.
- Gefährliche Spannungen können in allen mit der Spannungsversorgung verbundenen Schaltungsteilen anstehen.
- Auch nach Abtrennen der Versorgungsspannung können gefährliche Spannungen im Betriebsmittel vorhanden sein (Kondensatorspeicher).
- Betriebsmittel mit Stromwandlerkreisen dürfen nicht offen betrieben werden.
- Die im Handbuch und in der Produktinformation genannten Grenzwerte dürfen nicht überschritten werden; dies ist auch bei Prüfung und Inbetriebnahme zu beachten.

2 Angaben zur Konformität



Das Produkt entspricht den Bestimmungen der Richtlinie des Rates der Europäischen Gemeinschaften zur Angleichung der Rechtsvorschriften der Mitgliedstaaten über die elektromagnetische Verträglichkeit (EMV-Richtlinie 2014/30/EU) und betreffend elektrische Betriebsmittel zur Verwendung innerhalb bestimmter Spannungsgrenzen (Niederspannungsrichtlinie 2014/35/EU).

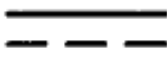

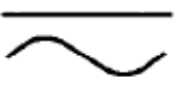

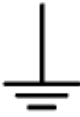



Diese Konformität ist das Ergebnis einer Prüfung, die durch die Siemens AG gemäß den Richtlinien in Übereinstimmung mit der Produktnorm EN 60255-26 für die EMV-Richtlinie und der Produktnorm EN 60255-27 für die Niederspannungsrichtlinie durchgeführt worden ist.

Das Gerät ist für den Einsatz im Industriebereich entwickelt und hergestellt.

Das Erzeugnis steht im Einklang mit den internationalen Normen der Reihe IEC 60255 und der nationalen Bestimmung VDE 0435.

3 Verwendete Symbole

Tabelle 3-1 Verwendete Symbole

Nr.	Symbol	Beschreibung
1		Gleichstrom IEC 60417-5031
2		Wechselstrom IEC 60417-5032
3		Gleich- und Wechselstrom IEC 60417-5033
4		Drehstrom
5		Erde IEC 60417-5017
6		Schutzleiter IEC 60417-5019
7		Vorsicht, Risiko eines elektrischen Schlages
8		Vorsicht, Risiko einer Gefahr ISO 7000-0434

4 Bestellinformationen

Bestellschlüssel für Ihre Bestellung:

Vorschaltgerät	7XT7100-	8	9	10	11	12
		0		A	0	0
Aufbaugeschütz			B			
Einbaugeschütz			E			

Bild 4-1 Bestellschlüssel

5 Anwendung

Bei großen Generatoren wird eine hohe Empfindlichkeit für den Läufererdschlussschutz gefordert. Es muss sowohl der Einfluss der Läufererdkapazität weitestgehend eliminiert als auch der Störabstand zu den Harmonischen (z.B. 6. Harmonische) der Erregereinrichtung vergrößert werden.

Für diese Art des Maschinenschutzes wird in der SIPROTEC-Familie das Vorschaltgerät 7XT71, in Verbindung mit dem Widerstandsgerät 7XR6004 und dem Multifunktionalen Maschinenschutz 7UM62/Generatorschutz 7UM85, eingesetzt. Diese Gerätekombination gewährleistet durch kontinuierliche Überwachung des Läufererdwiderstandes den sensitiven Läufererdschlussschutz. Ab Hardwarestand /DD können bis zu 2 Geräte 7UM62 oder 7UM85 an das Vorschaltgerät 7XT71 angeschlossen werden. Somit kann die Schutzfunktion zwei Schutzgruppen zuordnet und eine erhöhte funktionale Redundanz erreicht werden.

Der Rechteckgenerator des Vorschaltgerätes 7XT71 erzeugt eine niederfrequente Rechteckspannung von ca. ± 50 V, die im Gerät mit einem DIP-Schalter von 0,5 Hz bis 4,0 Hz in 0,5-Hz-Schritten einstellbar ist. Die Rechteckspannung wird über das Widerstandsgerät 7XR6004 zwischen der Läuferwicklung eines Generators und Erdungsbürsten eingespeist.

Die in die Läuferwicklung eingekoppelte Rechteckspannung führt zur stetigen Umladung der Läufererdkapazität. Über die Messschaltung im Vorschaltgerät 7XT71 wird der Erdstrom erfasst und galvanisch getrennt in den Messeingang des 7UM62 oder 7UM85 eingekoppelt. Im fehlerfreien Fall ($R_{\text{erd}} \approx \text{unendlich}$) ist der Läufererdstrom nach Aufladung der Erdkapazität nahe Null. Im Fehlerfall bestimmen Fehlerwiderstand und Serienwiderstand des Widerstandsgerätes 7XR6004 sowie die speisende Spannung den stationären Strom.

Gleichzeitig wird im Vorschaltgerät 7XT71 die durch die Rechteckspannung erzeugte Umpolung (Rechteckspannung und -frequenz) erfasst und in Form von Steuersignalen dem Steuereingang des 7UM62/7UM85 galvanisch getrennt zugeführt.

Die Überwachung des Läufererdkreises auf Unterbrechung erfolgt im 7UM62/7UM85 durch die Bewertung des Läufererdstromes während der Umpolungen.

Die Empfindlichkeit des Läufererdschlussschutzes ist so ausgelegt, dass Fehlerwiderstände bis zu 80 k Ω erfasst werden.

Mit einem AC/DC-Weitbereichsnetzteil wird im Vorschaltgerät 7XT71 die Hilfsspannung für die Baugruppen des Gerätes aufbereitet.



HINWEIS

7UM62:

Eine detaillierte Beschreibung des Messverfahrens in Verbindung mit dem 7UM62 ist im SIPROTEC-Handbuch 7UM62, Bestellnummer C53000-G1100-C149, enthalten.

7UM85:


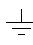
Eine detaillierte Beschreibung des Messverfahrens in Verbindung mit dem 7UM85 ist im SIPROTEC-Handbuch 7UM85, Bestellnummer C53000-G5000-C027, enthalten.

6 Aufbau

6.1 Allgemeiner Aufbau

Alle elektrischen Funktionsgruppen sind auf einer Flachbaugruppe untergebracht. Diese enthält außerdem ein Führungsblech, einen 18-poligen Steckverbinder sowie die Frontabdeckung und bildet somit eine steckbare Baugruppe (im Folgenden als Steckbaugruppe bezeichnet).

Die Steckbaugruppe ist in einem 1/6 19"-Gehäuse fixiert und mit der an der Rückwand befestigten 18-poligen Anschlussleiste elektrisch verbunden. Über Kontaktfedern ist die Steckbaugruppe großflächig mit dem Gehäuseinnenraum verbunden. Das Gehäuse gewährleistet aufgrund der elektrischen Eigenschaften des verwendeten Materials Ableit- und Abschirmfunktionen.

Für den Anschluss des niederohmigen Schutzleiters ($\geq 4 \text{ mm}^2$) sind im unteren Teil der Rückwand 2 Kontaktstellen  enthalten, an denen mindestens ein Kupferband/-leiter mittels M4-Schraube großflächig angeschraubt werden muss. Weitere 2 Kontaktstellen  darüber sind für die Erdung der Kabelabschirmung vorgesehen.

Für das Gehäuse (Einbauvariante) gilt die Schutzart IP51, für die Schraubklemmen der Anschlussleiste IP20. Für die Aufbauvariante des Gerätes gilt die Schutzart IP20.



HINWEIS

Sie können das Vorschaltgerät 7XT71 je nach Bestellschlüssel, siehe Kapitel 4, im Schalttafel- oder Schrankeinbau verwenden.

6.2 Vorschaltgerät 7XT7100-0BA00 für Schalttafelbau

Das Gehäuse ist ein Blechtubus, in den die Steckbaugruppe eingeschoben und mit 2 Schrauben befestigt ist. An der Frontabdeckung ist oben und unten je ein Z-Winkel für den Schalttafelbau montiert. Die Z-Winkel sind im Auslieferungszustand noch nicht angeschraubt.

An der Rückwand befinden sich die Anschlussleiste mit 18 Schraubklemmen für die externe Verkabelung, 2 LEDs (RUN, ERROR) für die Signalisierung des Gerätestatus und die Anschlüsse für die Erdung.

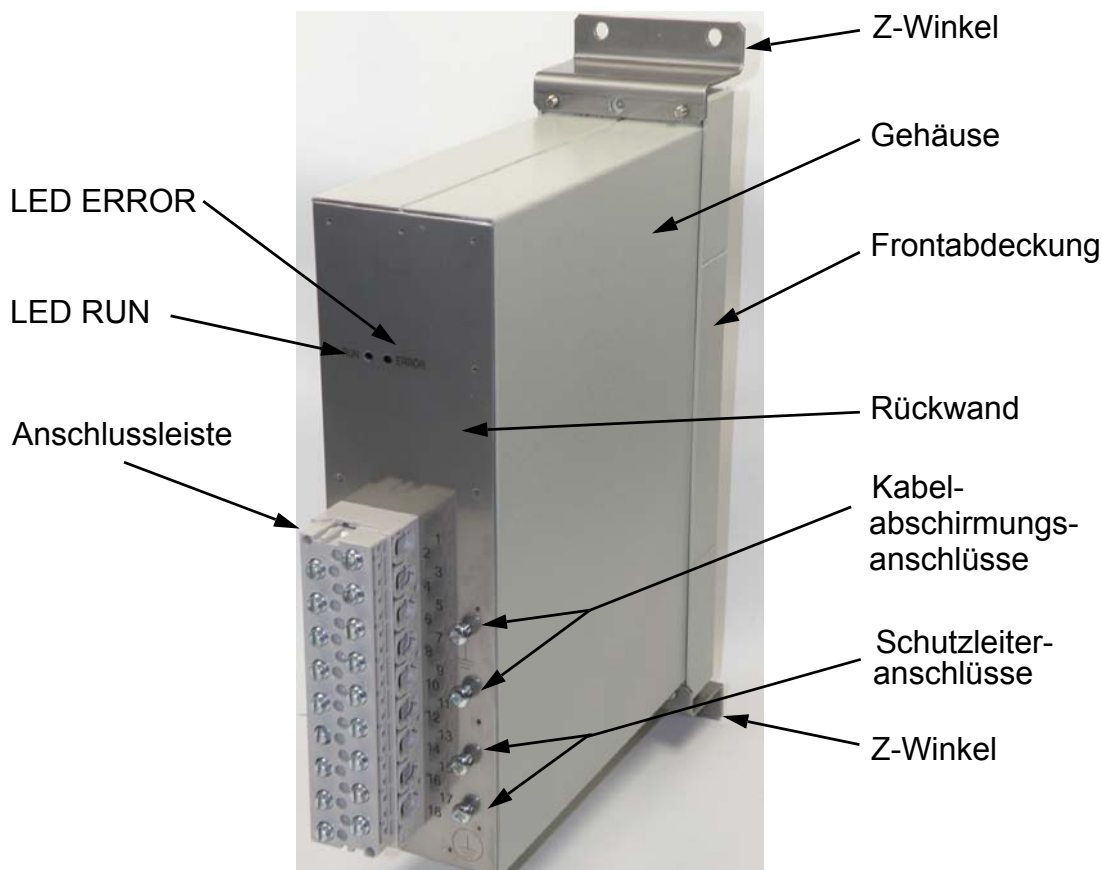


Bild 6-1 Vorschaltgerät 7XT7100-0BA00 für Schalttafelbau

In jede Schraubklemme können Sie bis zu 2 Ring- oder Gabelkabelschuhe oder bis zu 2 Kupferleiter festschrauben. Die Größe der Ring- oder Gabelkabelschuhe und die maximal möglichen Leiterdurchmesser sind im Kapitel 8 aufgeführt.



HINWEIS

Die jeweils 2 LEDs auf der Frontabdeckung und auf der Rückwand des Gerätes haben die gleichen Funktionen.

Die Abmessungen des Gehäuses sind im Bild 7-1 dargestellt.

6.3 Vorschaltgerät 7XT7100-0EA00 für Schalttafel- oder Schrankeinbau

Das Gehäuse ist ein Blechtubus, in den die Steckbaugruppe eingeschoben und mit 2 Schrauben befestigt ist.

Auf der Frontabdeckung sind im oberen Teil 2 LEDs (RUN, ERROR) für die Signalisierung des Gerätestatus angeordnet.

An der Rückwand befinden sich die Anschlussleiste mit 18 Schraubklemmen für die externe Verkabelung und die Anschlüsse für die Erdung (siehe Bild 6-1).



HINWEIS

Die jeweils 2 LEDs auf der Frontabdeckung und auf der Rückwand des Gerätes haben die gleichen Funktionen.

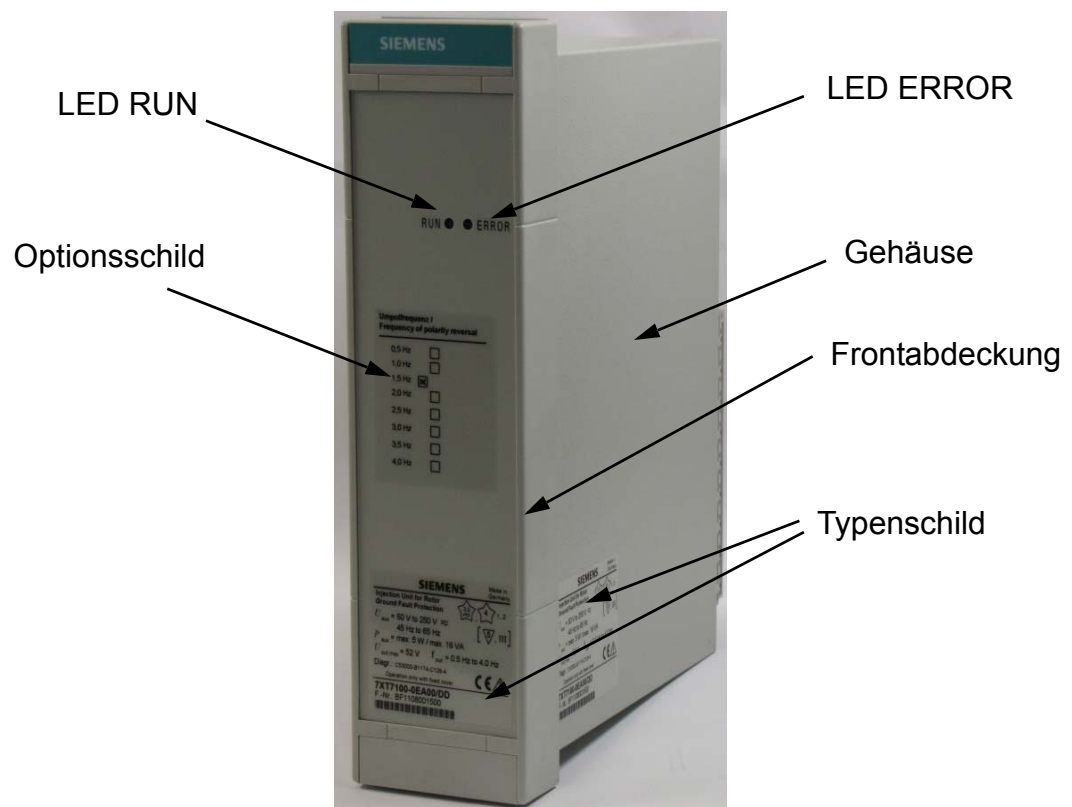


Bild 6-2 Vorschaltgerät 7XT7100-0EA00 für Schalttafel- oder Schrankeinbau

In jede Schraubklemme können Sie bis zu 2 Ring- oder Gabelkabelschuhe oder bis zu 2 Kupferleiter festschrauben. Die Größe der Ring- oder Gabelkabelschuhe und die maximal möglichen Leiterdurchmesser sind im Kapitel 8 aufgeführt.

Die Abmessungen des Gehäuses sind im Bild 7-2 dargestellt.

7 Abmessungen und Anschlüsse

7.1 Abmessungen der Vorschaltgeräte 7XT7100

Vorschaltgerät 7XT7100-0BA00 für Schalttafelbau

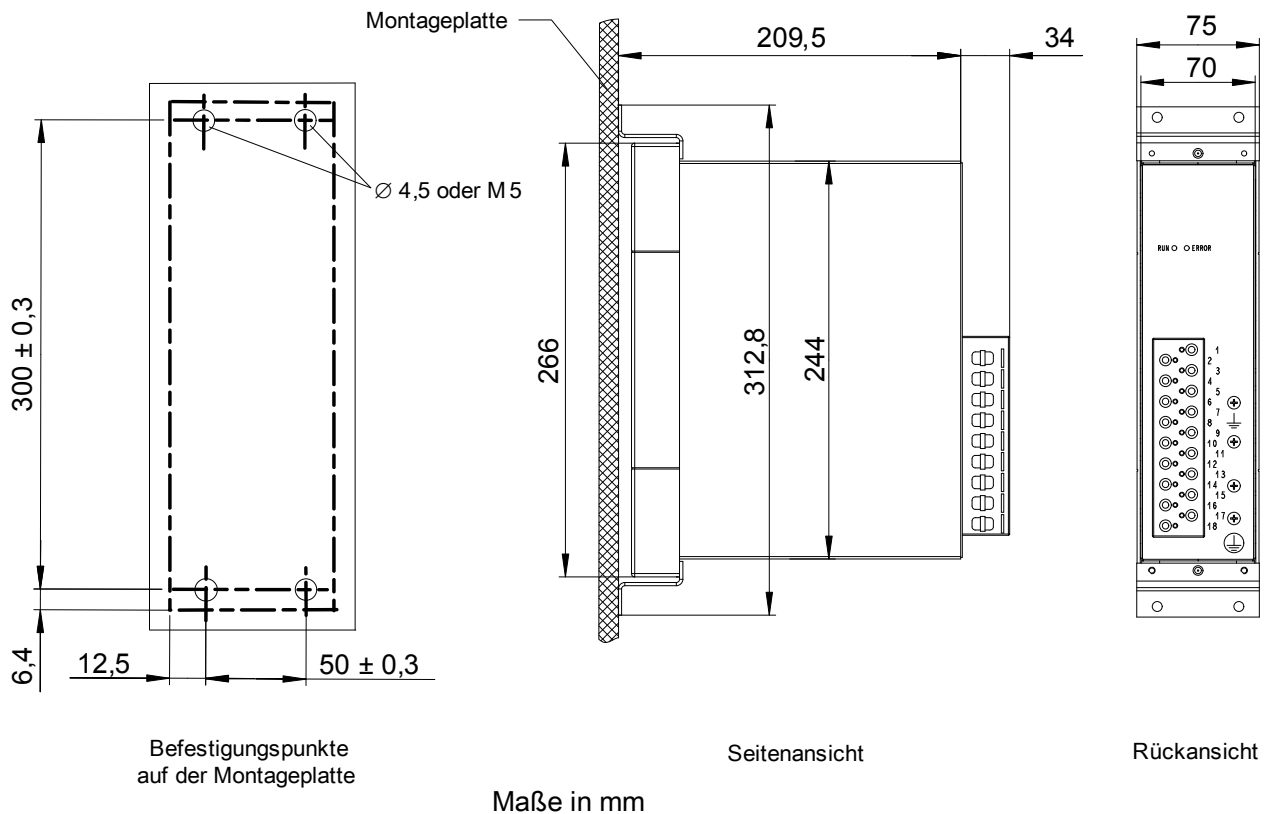


Bild 7-1 Vorschaltgerät 7XT7100-0BA00 für Schalttafelbau

Vorschaltgerät 7XT7100-0EA00 für Schalttafel- oder Schrankeinbau

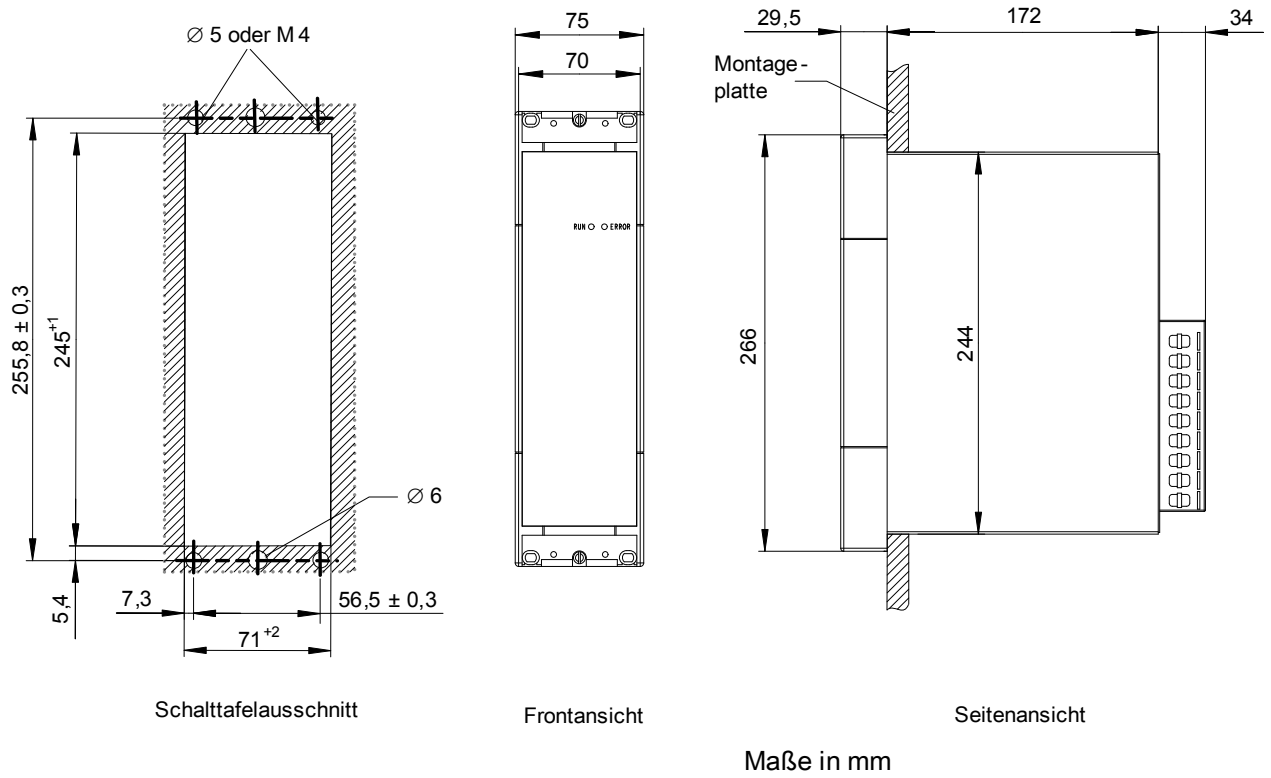


Bild 7-2 Vorschaltgerät 7XT71000-0EA00 für Schalttafel- oder Schrankeinbau

7.2 Anschlüsse der Vorschaltgeräte 7XT7100

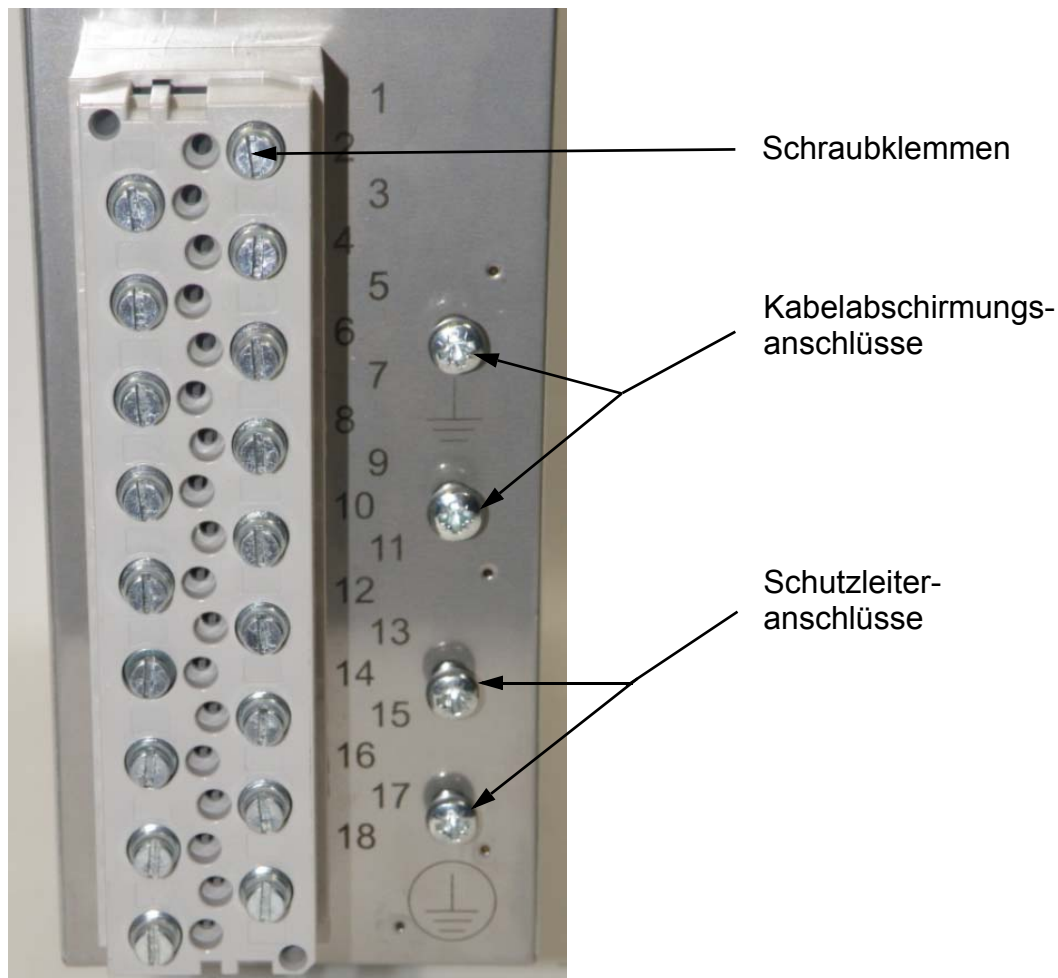


Bild 7-3 Anschlussleiste und Erdungsanschlüsse

Erdungsanschlüsse

- **Schutzleiteranschluss:** an 2 Kontaktstellen \oplus im unteren Teil der Rückwand muss mindestens ein Kupferband/-leiter mittels M4-Schraube großflächig angeschraubt werden (Drehmoment 1,5 Nm). Verwenden Sie mindestens ein 4 mm²-Schutzleiter.
- **Abschirmung:** 2 Kontaktstellen \ominus sind für die Erdung der Abschirmung vorgesehen.



HINWEIS

Beachten Sie zur Erdung die Warnhinweise im Kapitel 1 und im Kapitel 9.

Schraubklemmen der Anschlussleiste

Die Schraubklemmen der 18-poligen Anschlussleiste an der Rückwand sind im Lieferzustand lose gedreht.

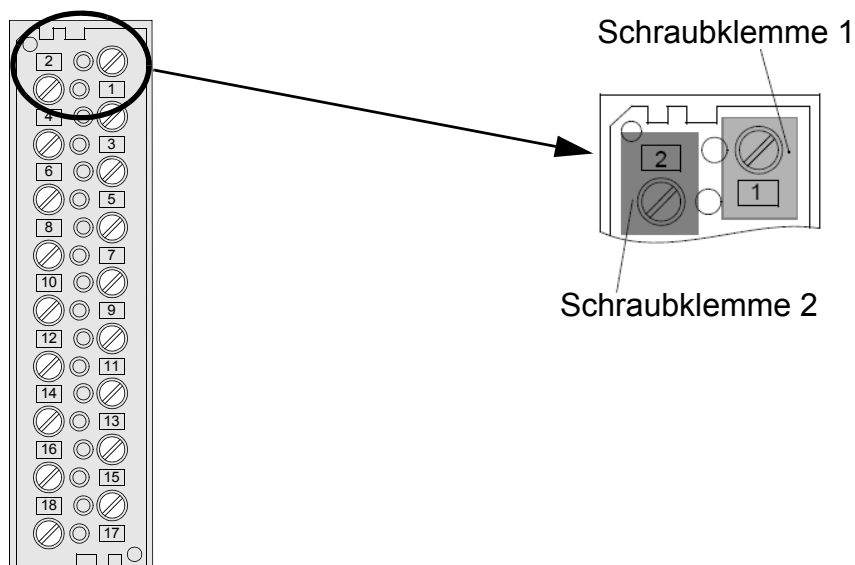


Bild 7-4 Schraubklemmen der 18-poligen Anschlussleiste

Tabelle 7-1 Anschlussleiste

Schraubklemme	Bezeichnung
1	$U_{\text{Ausgang A}}$
2	$U_{\text{Ausgang B}}$
3 bis 6	Nicht belegt
7	$U_{\text{Steuer 2}}$
8	$U_{\text{Steuer 1}}$
9	$U_{\text{Steuer 2}}$
10	$U_{\text{Steuer 1}}$
11	$U_{\text{Mess 2}}$
12	$U_{\text{Mess 1}}$
13	$U_{\text{Mess 2}}$
14	$U_{\text{Mess 1}}$
15, 16	Nicht belegt
17	Hilfsspannung: N (-) Neutraleiter
18	Hilfsspannung: L (+) Außenleiter

1: Anschluss an Gerät 1; 2: Anschluss an Gerät 2

Anschlussdaten für Kabelschuhe und Leiter



HINWEIS

Wenn Sie Ring- oder Gabelkabelschuhe mit nicht isolierter Crimp-Zone oder Aderendhülsen mit nicht isolierter Crimp-Zone verwenden, muss die Crimp-Zone zur Einhaltung der Isolationsstrecken mit einem Schrumpfschlauch isoliert sein.

Verwenden Sie ausschließlich Kupferleiter!

Tabelle 7-2 Anschlussdaten für Kabelschuhe und Leiter

Anschluss mit Kabelschuhen		
Innendurchmesser	4 mm	Siemens empfiehlt Kabelschuhe von Tyco Electronics AMP: Ringkabelschuhe: PIDG PN 320565-0 Gabelkabelschuhe: PIDG PN 321233-0
Außendurchmesser	max. 10 mm	
Leiterquerschnitte	1,0 mm ² bis 2,6 mm ² ; AWG 16 bis AWG 14	
Anzugsmoment	1,8 Nm	
Betriebstemperaturbereich	-5 °C bis 55 °C	
Anschluss mit Massiv- oder Litzenleitern mit Aderendhülse		
Leiterquerschnitte	0,5 mm ² bis 2,6 mm ² ; AWG 20 bis AWG 14	Hinweis: Das Anschlussende jedes einzelnen Leiters muss so in die Klemmenkammer gesteckt werden, dass es beim Anziehen der Schraubklemme hineingezogen wird. Bei Verwendung von Litzenleitern sind Kabelendhülsen erforderlich.
Abisolierlänge	9 mm bis 10 mm	
Anzugsmoment	1,8 Nm	
Betriebstemperaturbereich	-5 °C bis 55 °C	

8 Hinweise für Montage und Anschluss

8.1 Auspacken des Gerätes

Das Gerät wurde im Werk so verpackt, dass es die Anforderungen nach IEC 60255–21 erfüllt.

Beim Auspacken des Gerätes gehen Sie mit der üblichen Sorgfalt und ohne Gewaltanwendung vor. Verwenden Sie hierfür geeignetes Werkzeug. Nach Entnahme aus der Verpackung überprüfen Sie das Gerät durch Sichtkontrolle auf einwandfreien mechanischen Zustand.



HINWEIS

Wenn das Gerät beim Transport beschädigt wurde, dann dürfen Sie es nicht anschließen und in Betrieb nehmen.

Beachten Sie weitere in der Verpackung beigelegte Hinweise.

Heben Sie die Transportverpackung für einen eventuellen Weiterversand auf.

8.2 Schalttafelbau (7XT7100-0BA00)

- ❖ Ziehen Sie an der Frontabdeckung die 2 Abdeckkappen jeweils nach oben und unten ab.

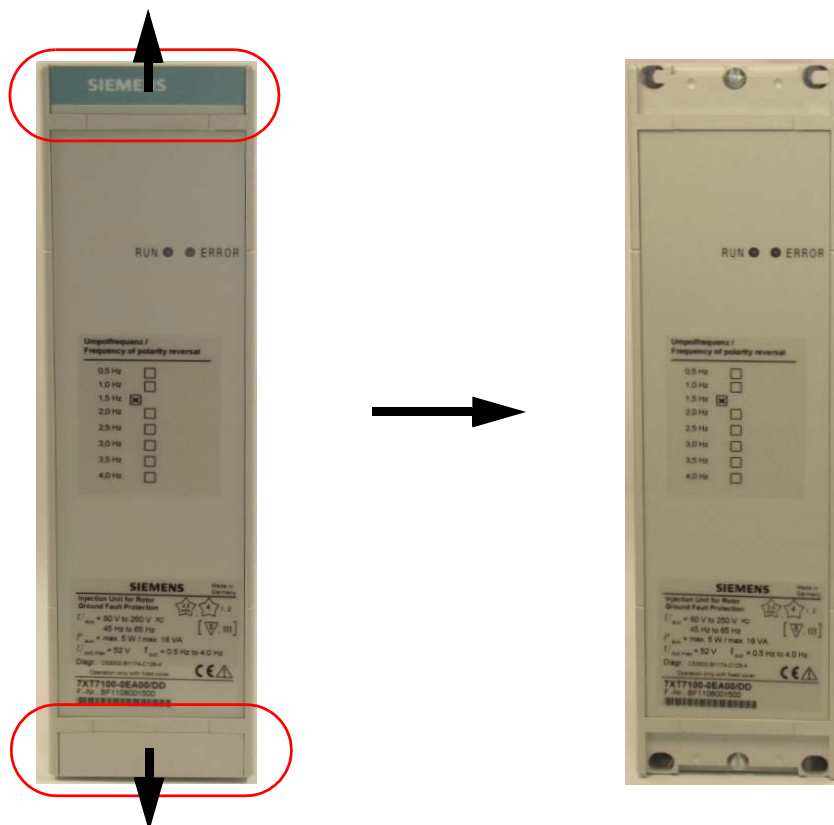


Bild 8-1 Abziehen der Abdeckkappen

-
- ✧ Schrauben Sie die im Lieferumfang enthaltenen 2 Z-Winkel an der Frontabdeckung oben und unten mit je 2 M4-Schrauben fest.
Stecken Sie hierzu die Schrauben durch die Bohrungen in der Frontabdeckung hindurch und schrauben Sie die Winkel an. Die 2 Bohrungen auf der schmalen Seite der Z-Winkel verfügen über M4-Gewinde.



Bild 8-2 Anbau der Z-Winkel an der Frontabdeckung

- ✧ Befestigen Sie das Gerät mit 4 Schrauben an der Schalttafel.



HINWEIS

Beachten Sie die Maße und Hinweise im Kapitel 7.1.

-
- ✧ Verdrahten Sie das Gerät gemäß Kapitel 8.4.
Bei dieser Montageart ist die Anschlussleiste von vorn zugänglich.

8.3 Schalttafel- oder Schrankeinbau (7XT7100-0EA00)

- ✧ Ziehen Sie an der Frontabdeckung die 2 Abdeckkappen jeweils nach oben und unten ab (siehe Bild 8-1).
- ✧ Schieben Sie das Gerät je nach Anwendung in den Durchbruch der Schalttafel oder in den Schaltschrank hinein.



HINWEIS

Beachten Sie die Maße und Hinweise im Kapitel 7.1.

- ✧ Befestigen Sie das Gerät mit 4 Schrauben an der Schalttafel oder im Schaltschrank.



Bild 8-3 Einbau des Gerätes in die Schalttafel

- ✧ Schieben Sie die beiden Abdeckkappen wieder in die Frontabdeckung (siehe Bild 8-1).
- ✧ Verdrahten Sie das Gerät gemäß Kapitel 8.4.
Bei dieser Montageart ist die Anschlussleiste von hinten zugänglich.

8.4 Anschluss



GEFAHR

Gefahr durch hohe Berührungsspannungen

Nichtbeachtung hat Tod oder schwere Körperverletzung zur Folge.

- ✧ Die Arbeiten dürfen nur von elektrotechnisch qualifiziertem Personal (siehe Kapitel 1) vorgenommen werden, das mit den Sicherheitsbestimmungen und Vorsichtsmaßnahmen vertraut ist und diese befolgt.
 - ✧ Die Arbeiten dürfen Sie niemals beim Vorhandensein gefährlicher Spannungen durchführen.
 - ✧ Schalten Sie die Anlage (Schaltschrank, Schalttafel), in der das Gerät betrieben werden soll, während der Anschlussarbeiten spannungslos.
-

Erdung des Gerätes

- ✧ Befestigen Sie den Schutzleiter (Kupferband/-leiter) mit einer M4-Schraube an der unteren Kontaktstelle \oplus . Achten Sie darauf, dass der Schutzleiter niederohmig ist und eine geringe Induktivität aufweist.
- ✧ Befestigen Sie die Abschirmung der Leiter mit einer M4-Schraube an der oberen Kontaktstelle \ominus .

Anschluss an der Anschlussleiste

- ✧ Verbinden Sie das Vorschaltgerät 7XT71 über die Schraubklemmen der Anschlussleiste mit den anzuschließenden Geräten. Verwenden Sie hierzu ausschließlich Kupferleiter. Achten Sie dabei auf die Kennzeichnung der einzelnen Anschlüsse, die zulässigen Querschnitte und das Anzugsmoment.
-



HINWEIS

Beachten Sie die Angaben im Kapitel 7.2, Abschnitt: **Schraubklemmen der Anschlussleiste**.

Achten Sie darauf, dass beim Anschließen von 2 Kupferleitern in einer Schraubklemme beide Leiter unlösbar Kontakt mit der Schraubklemme haben.

9 Inbetriebnahme

9.1 Allgemeine Hinweise für die Inbetriebnahme



HINWEIS

Wenn Sie das Gerät erstmalig oder nach längerer Lagerung in Betrieb nehmen, empfiehlt Siemens, es mindestens 2 Stunden im Betriebsraum liegen zu lassen, um einen Temperatenausgleich zu schaffen und um Feuchtigkeit sowie Betauung zu vermeiden.

Das Schutzgerät ist für den Einsatz im Industriebereich, also für den Einbau in üblichen Relaisräumen und Anlagen ausgelegt, sodass die elektromagnetische Verträglichkeit (EMV) bei sachgemäßem Einbau sichergestellt ist.

Siemens empfiehlt:

- Versehen Sie Schütze und Relais, die innerhalb desselben Schrankes oder auf der gleichen Relais tafel mit den digitalen Schutz einrichtungen arbeiten, mit geeigneten Löschi edern.
 - Wenn konstruktiv möglich, dann ordnen Sie das Vorschaltgerät 7XT71 und den 7UM62/7UM85 im gleichen Schaltschrank oder dicht beieinander an.
 - Verwenden Sie zwischen Vorschaltgerät 7XT71 und 7UM62/7UM85 abgeschirmte Verbindungsleitungen mit einer maximalen Länge von 10 m.
-

ACHTUNG

Die Flachbaugruppe des Gerätes enthält elektrostatisch gefährdete Bauelemente (EGB), z.B. CMOS-Schaltkreise

Nichtbeachtung der EGB-Vorschriften kann zu Sachschäden führen.

- ✧ Halten Sie die EGB-Vorschriften ein.
- ✧ Verhindern Sie statische Aufladungen im Umfeld der Flachbaugruppe.
- ✧ Es ist **unzulässig**, die Steckbaugruppe bei angelegter Hilfsspannung zu ziehen oder zu stecken.

Im eingebauten Zustand besteht keine Gefährdung.

9.2 Änderung der Umpolfrequenz

9.2.1 Betriebsbedingungen

Werkseinstellung der Umpolfrequenz

Für normale Betriebsbedingungen ist eine Umpolfrequenz (Frequenz des Rechteckgenerators) von 1,5 Hz als Werkseinstellung voreingestellt. Diese Einstellung ist auf dem Aufkleber am Gerät dokumentiert.

Betriebsbedingungen, die eine Erhöhung der Umpolfrequenz erlauben

- Läufererdkapazität zu niedrig

Die Verkürzung der Messzeit wird durch eine Erhöhung der Umpolfrequenz erreicht.

Betriebsbedingungen, die eine Reduzierung der Umpolfrequenz erfordern

- Läufererdkapazität zu groß
- In der Erregereinrichtung sind Kondensatoren gegen Erde geschaltet.

Für eine genaue Messung müssen Sie sicherstellen, dass vor der Umladung die Läufererdkapazität aufgeladen ist. Dazu muss im fehlerfreien Fall die Ausgangsspannung am Messausgang für mindestens 100 ms konstant (ideal Null) sein. Dies kann bei großen Erdkapazitäten durch eine Reduzierung der Umpolfrequenz erreicht werden.



HINWEIS

7UM62:

Eine detaillierte Beschreibung, wie die aktuellen Betriebsbedingungen mit dem 7UM62 ermittelt werden, ist im SIPROTEC-Handbuch 7UM62, Bestellnummer C53000-G1100-C149, enthalten.

7UM85:

Eine detaillierte Beschreibung, wie die aktuellen Betriebsbedingungen mit dem 7UM85 ermittelt werden, ist im SIPROTEC-Handbuch 7UM85, Bestellnummer C53000-G5000-C027, enthalten.

9.2.2 Aus- und Einbau der Steckbaugruppe



HINWEIS

Beachten Sie die Hinweise zu elektrostatisch gefährdeten Bauelementen im Kapitel 9.1.

Aus- und Einbau der Steckbaugruppe des Vorschaltgerätes im Aufbaugehäuse 7XT7100-0BA00

- ✧ Schalten Sie die Anlage aus, die die Hilfsspannung für das Vorschaltgerät 7XT71 bereitstellt.
 - ✧ Schalten Sie alle dem Gerät zugeführten Spannungen aus.
-



HINWEIS

Die an der Anschlussleiste angeschlossenen Leitungen müssen nicht zwingend vom Gerät getrennt werden. Nur wenn die Montagefreiheit der im Folgenden beschriebenen Arbeitsschritte nicht gegeben ist, müssen Sie die Leitungen aus den Schraubklemmen lösen. Beachten Sie die Sicherheitshinweise im Kapitel 8.4.

- ✧ Lösen und entfernen Sie die jeweils 2 Schrauben am unteren und oberen Z-Winkel, mit denen das Gerät an der Schalttafel befestigt ist.
- ✧ Nehmen Sie das Gerät von der Schalttafel ab.
- ✧ Lösen Sie die 4 Schrauben, mit denen die Z-Winkel am Gehäuse angeschraubt sind und entfernen Sie die Z-Winkel (siehe Bild 8-2).
- ✧ Ziehen Sie an der Frontabdeckung die 2 Abdeckkappen jeweils nach oben und unten ab (siehe Bild 8-1).
- ✧ Lösen und entfernen Sie an der Frontabdeckung oben und unten die in der Mitte befindlichen Schrauben.



Bild 9-1 Abbau der Frontabdeckung

-
- ✧ Ziehen Sie die Steckbaugruppe vorsichtig aus dem Gehäuse und stellen Sie diese so ab, dass der DIP-Schalter S1 zugänglich ist.
 - ✧ Wenn Sie die erforderlichen Arbeiten an der Flachbaugruppe ausgeführt haben, bauen Sie die Steckbaugruppe sinngemäß in umgekehrter Reihenfolge wieder ein.

Aus- und Einbau der Steckbaugruppe des Vorschaltgerätes im Einbaugehäuse 7XT7100-0EA00

- ✧ Schalten Sie die Anlage aus, die die Hilfsspannung für das Vorschaltgerät 7XT71 bereitstellt.
- ✧ Schalten Sie alle dem Gerät zugeführten Signalspannungen aus.
- ✧ Ziehen Sie an der Frontabdeckung die 2 Abdeckkappen jeweils nach oben und unten ab (siehe Bild 8-1).
- ✧ Lösen und entfernen Sie an der Frontabdeckung oben und unten die in der Mitte befindlichen Schrauben (siehe Bild 9-1).
- ✧ Ziehen Sie die Steckbaugruppe vorsichtig aus dem Gehäuse und stellen Sie diese so ab, dass der DIP-Schalter S1 zugänglich ist.
- ✧ Wenn Sie die erforderlichen Arbeiten an der Flachbaugruppe ausgeführt haben, bauen Sie die Steckbaugruppe sinngemäß in umgekehrter Reihenfolge wieder ein.

9.2.3 Frequenzeinstellung

Mit dem DIP-Schalter S1 auf der Flachbaugruppe können Sie die Umpolfrequenz (Frequenz des Rechteckgenerators) einstellen.

Der DIP-Schalter ist auf der Flachbaugruppe wie folgt angeordnet:

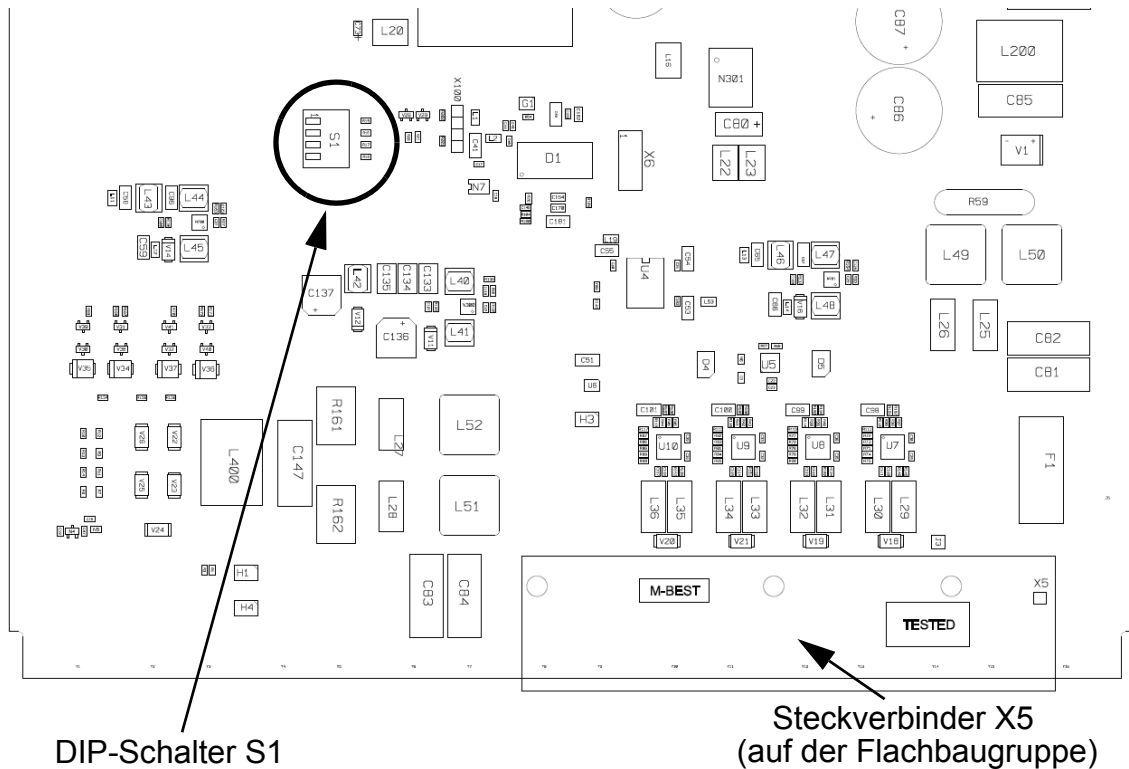


Bild 9-2 Anordnung des DIP-Schalters S1 auf der Flachbaugruppe

Die Frequenzeinstellungen mit DIP-Schalter S1 sind im folgendem Bild aufgeführt:

<p>OPEN</p> <p>4,0 Hz</p>	<p>OPEN</p> <p>2,0 Hz</p>
<p>OPEN</p> <p>3,5 Hz</p>	<p>OPEN</p> <p>1,5 Hz</p>
<p>OPEN</p> <p>3,0 Hz</p>	<p>OPEN</p> <p>1,0 Hz</p>
<p>OPEN</p> <p>2,5 Hz</p>	<p>OPEN</p> <p>0,5 Hz</p>

Bild 9-3 Frequenzeinstellungen mit DIP-Schalter S1

- ✧ Stellen Sie an den DIP-Schaltern S1.1 bis S1.4 die gewünschte Frequenz gemäß Bild 9-2 ein.
- ✧ Bauen Sie das Gerät gemäß Kapitel 9.2.2 wieder ein.
- ✧ Wenn Sie die Leiter von der Anschlussleiste getrennt haben, dann schließen Sie die Leiter wieder an den Schraubklemmen an. Achten Sie dabei auf die korrekte Verdrahtung.
- ✧ Nehmen Sie das Gerät in Betrieb.
- ✧ Kontrollieren Sie am 7UM62/7UM85 die Prüfwerte für das Vorschaltgerät 7XT71.
- ✧ Wenn die Prüfwerte korrekt sind, ist die Frequenzeinstellung beendet.
- ✧ Vermerken Sie die neue Frequenz auf dem Aufkleber am Gerät.

Umpolfrequenz / Frequency of polarity reversal	
0,5 Hz	<input type="checkbox"/>
1,0 Hz	<input type="checkbox"/>
1,5 Hz	<input checked="" type="checkbox"/>
2,0 Hz	<input type="checkbox"/>
2,5 Hz	<input type="checkbox"/>
3,0 Hz	<input type="checkbox"/>
3,5 Hz	<input type="checkbox"/>
4,0 Hz	<input type="checkbox"/>

Bild 9-4 Aufkleber für eingestellte Frequenz



HINWEIS

Zeigt der 7UM62/7UM85 noch keine korrekten Werte an, wiederholen Sie die Frequenzeinstellung am Vorschaltgerät 7XT71 so oft, bis die Werte annähernd den erforderlichen Betriebsbedingungen entsprechen.

9.3 LEDs

Das Vorschaltgerät 7XT71 verfügt über je 2 LEDs auf der Frontabdeckung und auf der Rückwand. Die LEDs mit gleicher Bezeichnung sind parallel geschaltet, sodass je nach Aufbau- oder Einbauvariante des Gerätestatus eingesehen werden kann.

Die LEDs signalisieren folgende Betriebszustände:

Tabelle 9-2 LEDs

LED	Bedeutung
RUN	Gerät betriebsbereit
ERROR	Gerät nicht betriebsbereit

10 Wartung und Instandsetzung

Wartung

Das Vorschaltgerät 7XT71 ist wartungsfrei.

Wenn erforderlich, wischen Sie das Gerät mit einem sauberen, trockenen und weichen Tuch ab. Benutzen Sie keine Lösungsmittel.

Instandsetzung

Eine Fehlersuche und die Instandsetzung des defekten Gerätes durch Sie sind **unzulässig**. Ausgenommen hiervon ist das Auswechseln der Feinsicherung F1 auf der Flachbaugruppe. Im Vorschaltgerät 7XT71 sind spezielle elektronische Bauelemente eingesetzt, die nach den Richtlinien für elektrostatisch gefährdete Bauelemente (EGB) nur der Hersteller auswechseln darf.

Wenn Sie einen Defekt im Gerät vermuten, dann empfiehlt Siemens, das komplette Gerät in das Herstellerwerk einzusenden. Verwenden Sie möglichst die Originaltransportverpackung oder eine gleichwertige Verpackung.

Auswechseln der Feinsicherung F1

Die Stromversorgung des Gerätes ist über eine Feinsicherung T2A/250V abgesichert. Diese ist in einer Schnapphalterung auf der Flachbaugruppe angeordnet und nach dem Herausziehen der Steckbaugruppe aus dem Gehäuse zugänglich.

- ◇ Bauen Sie zum Auswechseln der Feinsicherung F1 die Steckbaugruppe gemäß Kapitel 9.2.2 aus.
- ◇ Entfernen Sie die defekte Sicherung F1 aus der Schnapphalterung.

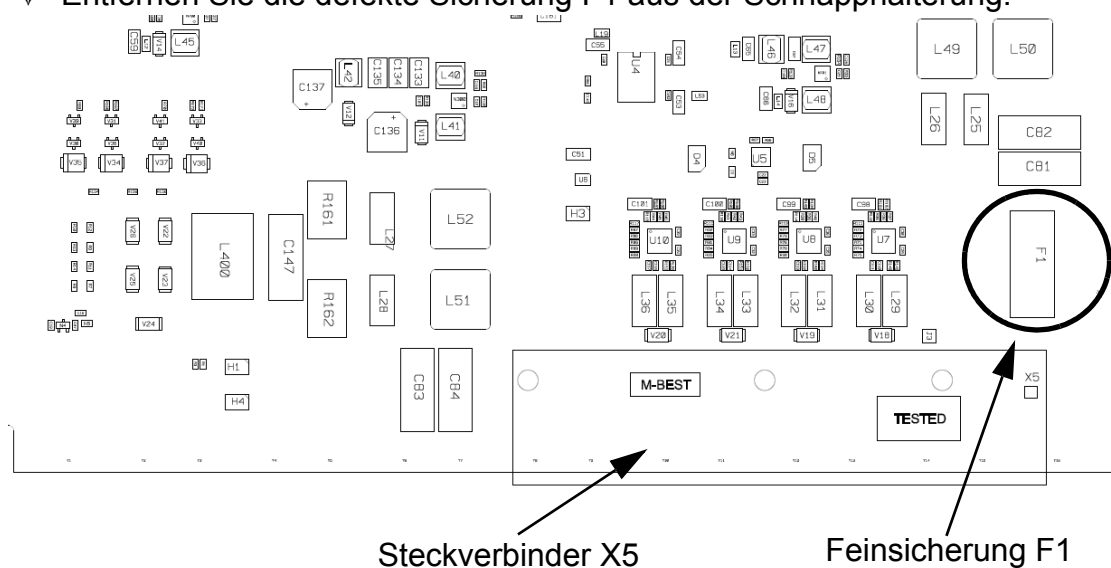


Bild 10-1 Anordnung der Feinsicherung F1 auf der Flachbaugruppe

-
- ✧ Setzen Sie die neue Feinsicherung T2A/250V in die Schnapphalterung ein.
-



WARNUNG

Warnung vor der Verwendung einer falsch dimensionierten Feinsicherung

Nichtbeachtung kann Tod oder schwere Körperverletzung zur Folge haben.

- ✧ Verwenden Sie nur eine Feinsicherung des Typs T2A/250V.
-
- ✧ Bauen Sie das Gerät gemäß Kapitel 9.2.2 wieder ein.
 - ✧ Wenn Sie die Leiter von der Anschlussleiste getrennt haben, dann schließen Sie die Leiter wieder an den Schraubklemmen an. Achten Sie dabei auf die korrekte Verdrahtung.
 - ✧ Nehmen Sie das Gerät in Betrieb.

11 Lagerung und Transport

Lagern Sie das Gerät in trockenen und sauberen Räumen. Für die Lagerung des Gerätes gilt der Temperaturbereich von -25 °C bis $+55\text{ °C}$.

Die relative Luftfeuchte darf weder zur Kondenswasser- noch zur Eisbildung führen.

Siemens empfiehlt Ihnen, bei der Lagerung einen eingeschränkten Temperaturbereich zwischen $+10\text{ °C}$ und $+35\text{ °C}$ einzuhalten, um einer vorzeitigen Alterung der eingesetzten Elektrolytkondensatoren vorzubeugen.

Außerdem empfiehlt Siemens, bei langer Lagerungszeit das Gerät einmal jährlich für 1 bis 2 Tage an die Hilfsspannung anzuschließen, um die eingesetzten Elektrolytkondensatoren zu formieren. Ebenso sollten Sie vor einem geplanten Einsatz des Gerätes verfahren.

Bei Weiterversand können Sie die Transportverpackung der Geräte wiederverwenden. Die Lagerverpackung der Einzelgeräte ist nicht für den Transport ausreichend. Bei Verwendung anderer Verpackung müssen Sie das Einhalten der Transportanforderungen nach IEC 60255–21–1 Klasse 2 und IEC 60255–21–2 Klasse 1 sichergestellen.

12 Technische Daten

12.1 Allgemeine Gerätedaten

Hilfsspannung, Gleichspannung; Klemmen 17 (-) und 18 (+)

Nennhilfsgleichspannung	60 V bis 250 V
Zulässiger Bereich der Nennhilfsgleichspannung	48 V bis 300 V
Überlagerte Wechselspannung, Spitze-Spitze	≤ 12 % bei Nennspannung, IEC 60255-11
Leistungsaufnahme	< 6 W
Überbrückungszeit bei Ausfall/Kurzschluss der Hilfsgleichspannung	≥ 50 ms
Empfohlener externer Schutz	Miniatur-Leistungsschalter 6 A, Charakteristik C gemäß IEC 60898

Hilfsspannung, Wechselspannung; Klemmen 17 (N) und 18 (L)

Nennhilfswechselspannung	60 V bis 250 V
Zulässiger Bereich der Nennhilfswchselspannung	48 V bis 285 V
Netzfrequenz	45 Hz bis 65 Hz
Leistungsaufnahme	< 10 VA
Überbrückungszeit bei Ausfall/Kurzschluss der Hilfswchselspannung	≥ 50 ms
Empfohlener externer Schutz	Miniatur-Leistungsschalter 6 A, Charakteristik C gemäß IEC 60898

Signalspannungen/-ströme an den Klemmen

Klemme 1 ($U_{\text{Ausgang A}}$) und Klemme 2 ($U_{\text{Ausgang B}}$)	
Ausgangsspannung $U_{\text{Ausgang A/B}}$	±50 V ±10 %
Ausgangsstrom an $U_{\text{Ausgang A/B}}$	< ±5 mA
Maximaler Ausgangsstrom an $U_{\text{Ausgang A/B}}$	< ±20 mA, kurzschlussfest
Klemmen 8, 10 ($U_{\text{Steuer 1}}$) und 7, 9 ($U_{\text{Steuer 2}}$)	
Ausgangsspannung $U_{\text{Steuer 1/2}}$	< ±15 V
Maximaler Ausgangsstrom an $U_{\text{Steuer 1/2}}$	< ±2 mA, kurzschlussfest

Klemmen 12, 14 ($U_{\text{Mess}1}$) und 11,13 ($U_{\text{Mess}2}$)	
Ausgangsspannung $U_{\text{Mess}1/2}$	< ± 15 V
Maximaler Ausgangsstrom an $U_{\text{Mess}1/2}$	< ± 2 mA, kurzschlussfest

Einstellungen

Ausgangsfrequenz von $U_{\text{Ausgang}A/B}$ (Einstellung mit DIP-Schalter)	
Einstellbereich	0,5 bis 4,0 Hz ± 5 %
Einstellungen	0,5 Hz, 1,0 Hz, 1,5 Hz, 2,0 Hz, 2,5 Hz, 3,0 Hz, 3,5 Hz, 4,0 Hz
Lieferstellung	1,5 Hz

Konstruktiver Aufbau

Gehäuse	7XP20, 1/6 19"-Gehäuse
Abmessungen (H x B x T)	
7XT7100-0BA00	312,8 mm x 75,0 mm x 243,5 mm mit Z-Winkeln und Anschlussleiste
7XT7100-0EA00	266,0 mm x 75,0 mm x 235,5 mm mit Anschlussleiste
Masse	
7XT7100-0BA00	2,3 kg
7XT7100-0EA00	2,1 kg
Schutzart gemäß EN 60529 (Einbauvariante)	
Frontseite	IP51
Gehäuse und Klemmen	IP20
Schutzart gemäß EN 60529 (Aufbauvariante)	
Gerät	IP20

Firmware-Version des Schutzgerätes 7UMxx

7UM62	ab V4.00
7UM85	ab V7.30

12.2 Prüfdaten

12.2.1 Elektrische Prüfungen

Vorschriften

Normen:	IEC 60255-26 (Produktnormen) IEEE Std C37.90 Weitere Normen siehe Einzelprüfungen
---------	---

Installationsanforderungen

Überspannungskategorie	III
Verschmutzungsgrad	2
Schutzklasse	1

Isolations- und Sicherheitsprüfungen

Normen:	IEC 60255-27
Spannungsprüfung (Stückprüfung) Ausgang: Anschlüsse 1, 2 gegen alle anderen Anschlüsse	DC 5,8 kV
Spannungsprüfung (Stückprüfung) Hilfsspannung: Anschlüsse 17, 18, Gehäuse gegen alle anderen An- schlüsse	DC 3,5 kV
Spannungsprüfung (Stückprüfung) Ausgänge: Anschlüsse 7 bis 14 gegen alle anderen Anschlüsse	DC 2,5 kV
Stoßspannungsprüfung (Typprüfung), Ausgang und Hilfsspannung, Klasse III	6 kV (Scheitelwert); 1,2 µs/50 µs; 0,5 J; 3 positive und 3 negative Stöße in Ab- ständen von 5 s

EMV-Prüfungen zur Störfestigkeit (Typprüfungen)

Normen:	IEC 60255-1, IEC 60255-26 (Produktnormen) EN 61000-6-2 (Fachgrundnorm) Weitere Normen siehe Einzelprüfungen
Hochfrequenzprüfung (1 MHz), Klasse III IEC 61000-4-18, IEEE C37.90.1	2,5 kV (Scheitel); 1 MHz; $\tau = 15 \mu\text{s}$; 400 Stöße je s; Prüfdauer 2 s, $R_i = 200 \Omega$
Entladung statischer Elektrizität, Test IEC 61000-4-2	8 kV Kontaktentladung; 15 kV Luftentladung; beide Polaritäten; 150 pF; $R_i = 330 \Omega$
Bestrahlung mit HF-Feld, Frequenzdurchlauf IEC 61000-4-3, Klasse III	10 V/m; 80 MHz bis 1 GHz; 80 % AM; 1 kHz und Spot-Frequenzen 10 V/m; 1 GHz bis 2,7 GHz; 80 % AM; 1 kHz
Schnelle transiente Störgrößen/Burst, Klasse IV IEC 61000-4-4, IEEE C37.90.1	4 kV; 5 ns/50 ns; 5 kHz; Burst-Länge = 15 ms; Wiederholrate 300 ms; beide Polaritäten; $R_i = 50 \Omega$; Prüfdauer 1 min
Leitungsgeführte HF, amplitudenmoduliert, Klasse III IEC 61000-4-6	10 V; 150 kHz bis 80 MHz; 80 % AM; 1 kHz und Spot-Frequenzen
Magnetfeld mit energietechnischer Frequenz IEC 61000-4-8	0,5 mT; 50 Hz; 30 A/m dauernd; 300 A/m für 3 s; 50 Hz
Oscillatory Surge Withstand Capability ANSI/IEEE C37.90.1	2,5 kV (Scheitel); 1 MHz, $\tau = 15 \mu\text{s}$; 400 Stöße je s; Prüfdauer 2 s; $R_i = 200 \Omega$
Radiated Electromagnetic Interference IEEE C37.90.2	20 V/m 80 MHz bis 1 GHz 80 % AM 1 kHz

Gedämpfte Schwingungen IEC 61000-4-18	2,5 kV (Scheitel), 100 kHz, 40 Stöße je s; Prüfdauer 2 s; $R_i = 200 \Omega$
Energiereiche Stoßspannungen/Surge IEC 61000-4-5	Impuls: 1,2/50 μ s
Hilfsspannung	Common mode: 2 kV; 12 Ω ; 9 μ F Diff. mode: 1 kV; 2 Ω ; 18 μ F
0,5 bis 4-Hz-Ausgang	Common mode: 2 kV; 42 Ω ; 0,5 μ F Diff. mode: 1 kV; 42 Ω ; 0,5 μ F
Messausgang (Kabelabschirmung)	Common mode: 2 kV; 2 Ω coupling into shield

EMV-Prüfungen zur Störaussendung (Typprüfung)

Norm:	IEC 60255-26 (Produktnorm) IEC 61000-6-4 (Fachgrundnorm)
Funkstörspannung auf Leitungen, nur Hilfsspannung IEC-CISPR 22	150 kHz bis 30 MHz Grenzwert- klasse A
Funkstölfeldstärke IEC-CISPR 11	30 MHz bis 1000 MHz Grenzwert- klasse A

12.2.2 Mechanische Prüfungen

Schwing- und Schockbeanspruchung bei stationärem Einsatz

Normen:	IEC 60255-21 und IEC 60068
Schwingung IEC 60255-21-1, Klasse II; IEC 60068-2-6 Test Fc	Sinusförmig 10 Hz bis 58 Hz: $\pm 0,075$ mm Amplitude; 58 Hz bis 150 Hz: 1 g Beschleunigung Frequenzdurchlauf 1 Oktave/min, 20 Zyklen in 3 Achsen senkrecht zueinander
Schock IEC 60255-21-2, Klasse I; IEC 60068-2-27 Test Ea	Halbsinusförmig Beschleunigung 5 g, Dauer 11 ms, je 3 Schocks in beiden Richtungen der 3 Achsen
Schwingung bei Erdbeben IEC 60255-21-3, Klasse II; IEC 60068-3-3 Test Fc	Sinusförmig 3 Hz bis 8 Hz: ± 8 mm Amplitude (horizontale Achse) 1 Hz bis 8 Hz: ± 4 mm Amplitude (vertikale Achse) 8 Hz bis 35 Hz: 2 g Beschleunigung (horizontale Achse) 8 Hz bis 35 Hz: 1 g Beschleunigung (vertikale Achse) Frequenzdurchlauf: 1 Oktave/min, 1 Zyklus in 3 Achsen senkrecht zueinander

Schwing- und Schockbeanspruchung beim Transport

Normen:	IEC 60255-21 und IEC 60068-2
Schwingung IEC 60255-21-1, Klasse 2; IEC 60068-2-6 Test Fc	Sinusförmig 5 Hz bis 8 Hz: $\pm 7,5$ mm Amplitude; 8 Hz bis 150 Hz: 2 g Beschleunigung Frequenzdurchlauf: 1 Oktave/min 20 Zyklen in 3 Achsen senkrecht zueinander
Schock IEC 60255-21-2, Klasse 1; IEC 60068-2-27 Test Ea	Halbsinusförmig Beschleunigung 15 g, Dauer 11 ms, je 3 Schocks in beiden Richtungen der 3 Achsen
Dauerschock IEC 60255-21-2, Klasse 1; IEC 60068-2-29 Test Ea	Halbsinusförmig Beschleunigung 10 g, Dauer 16 ms, je 1000 Schocks in beiden Richtungen der 3 Achsen

12.2.3 Klimabeanspruchung

Temperaturen

Normen:	IEC 60255-6
Empfohlene Temperatur bei Betrieb	
Nennhilfswechselspannung +15 %	-5 °C bis +40 °C
Nennhilfswechselspannung +10 %	-5 °C bis +55 °C
Grenztemperaturen	
bei Lagerung	-25 °C bis +55 °C
bei Transport	-25 °C bis +70 °C
Lagerung und Transport mit werksmäßiger Verpackung	

Feuchte

Zulässige Feuchtebeanspruchung	Im Jahresmittel ≤ 75 % relative Luftfeuchte; an 56 Tagen im Jahr bis zu 95 % relative Luftfeuchte; Betauung im Betrieb unzulässig!
Siemens empfiehlt, die Geräte so anzuordnen, dass sie keiner direkten Sonneneinstrahlung und keinem starken Temperaturwechsel, bei dem Betauung auftreten kann, ausgesetzt sind.	

Andere Umweltinformationen

Maximale Höhe über NN	2000 m
Minimal zulässiger atmosphärischer Druck	783,8 hPa

14 Anschlusspläne

Abbildung 1-1: Anschlußplan für Erregerspannungen < DC 850 V
Figure 1-1: Connection Diagram for excitation voltages < DC 850 V

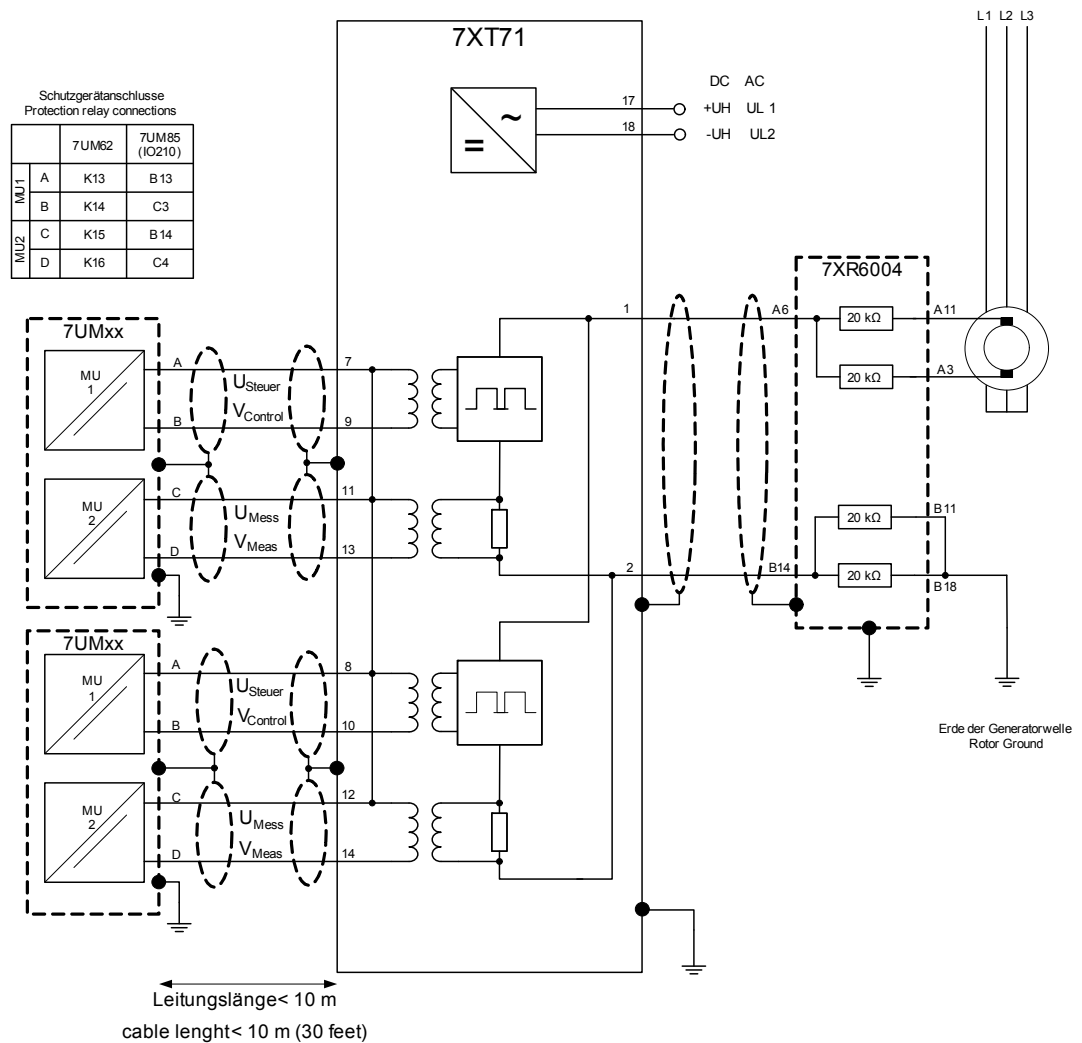


Bild 14-1 Anschlußplan für Erregerspannungen < DC 850 V

ACHTUNG

Die Spannung zwischen Klemme 1 und Klemme 2 (und auch zur Erdung) darf AC 300 V nicht überschreiten.

Nichtbeachtung kann zu Sachschäden führen.

✧ Wenden Sie geeignete Schutzmaßnahmen an.

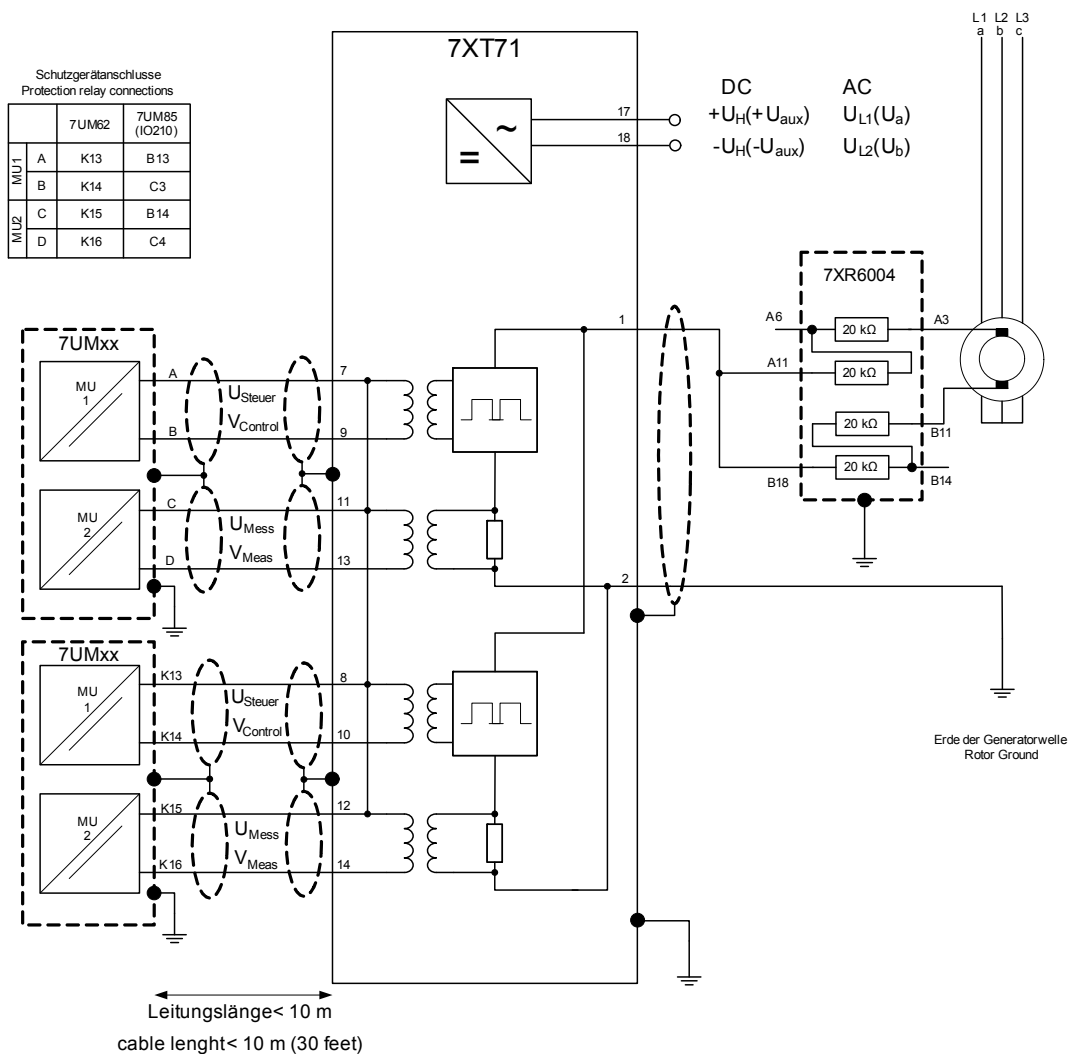


Bild 14-2 Anschlussplan für Erregerspannungen < DC 1200 V

ACHTUNG

Die Spannung zwischen Klemme 1 und Klemme 2 (und zur Erdung) darf AC 300 V nicht überschreiten.

Nichtbeachtung kann zu Sachschäden führen.

✧ Wenden Sie geeignete Schutzmaßnahmen an.

Änderungsfortschreibung

Gerätestand	Änderung
7XT7100-0BA00/BB 7XT7100-0EA00/BB	Ursprungsversion
7XT7100-0BA00/DD 7XT7100-0EA00/DD	Überarbeitung der Hardware Überarbeitung Gehäuse Neue 18-polige Schraubklemme, Achtung: Anschlüsse haben sich geändert Anschluss von 2 Geräten 7UM62/7UM85 möglich
7XT7100-0BA00/EE 7XT7100-0EA00/EE	Verbesserung der Firmware

