

General Duty Safety Switch

Type VBII, 600 Amp, 240 Volts, Type 3R (Outdoor)

Standards and Ratings

- UL Listed under file #E4776
- Meets UL98 for switches and UL50 for enclosures
- Meets NEMA Standard KS-1 for enclosed switches
- Meets NEC wire bending space requirements
- Rated 10,000 AIC with Class H fuses or 100,000 AIC with Class R, J and T fuses

- Suitable for use as service entrance equipment

Features

- Quick-make and break switching action
- Visible blade design
- Highly visible ON/OFF indication
- Modular design allows quick and easy replacement of parts
- Single cover interlock

General Information

| Catalog Number | Description | Shipping Weight (lbs.) |
|----------------------|-------------------------|------------------------|
| GF226NR ¹ | 2 Pole, 3 Wire, Fusible | 159 |
| GF326NR | 3 Pole, 4 Wire, Fusible | 165 |

Horsepower Ratings ²

| Catalog Number | 1 Phase, 3 Wire, 240V AC | | 3 Phase, 3 Wire, 240V AC | | 250V DC |
|----------------|--------------------------|-----|--------------------------|-----|---------|
| | Std | Max | Std | Max | |
| GF226NR | 15 | 15 | 75 | 200 | 50 |
| GF326NR | 15 | 15 | 75 | 200 | 50 |

Accessories

| Catalog Number | Description |
|----------------|--|
| HG656 | Equipment Ground Lug Kit |
| HN656 | Neutral Kit |
| HR656 | Class R Fuse Clip Kit (3 fuse clips per kit) |
| ECHV250 | 2.50" Type "HV" Outdoor Hub |
| ECHV300 | 3.00" Type "HV" Outdoor Hub |
| ECHV350 | 3.50" Type "HV" Outdoor Hub |
| ECHV400 | 4.00" Type "HV" Outdoor Hub |

Replacement Parts

| Catalog Number | Description |
|-----------------------|------------------------------------|
| HFB66 ^{3 4} | Fusible Line Side Replacement Base |
| HBB656 ^{3 4} | Fusible Load Side Replacement Base |
| HH65678 | Replacement Handle/Handle Guard |
| HM66 | Replacement Mechanism |
| HL65678 ⁴ | Replacement Lug (1 lug per kit) |

Mechanical Lug Wire Ranges (60/75°C, Cu/Al)

| Description | Wire Range |
|-------------|----------------------------|
| Line, Load | (2) 1/0 AWG - 750 Kcmil or |
| Neutral | (4) 1/0 AWG - 250 Kcmil |
| Ground | (2) #6 AWG - 300 Kcmil |

¹ These switches are UL Listed for application on grounded B phase systems.

² Dual horsepower ratings: Std - applies when non-time delay fuses are installed.

Max - applies when time-delay fuses are installed.

³ Each Line and Load Replacement Base contains one pole.

⁴ Lugs are not provided on Line and Load Replacement Base Assemblies. Order Lug Kit.

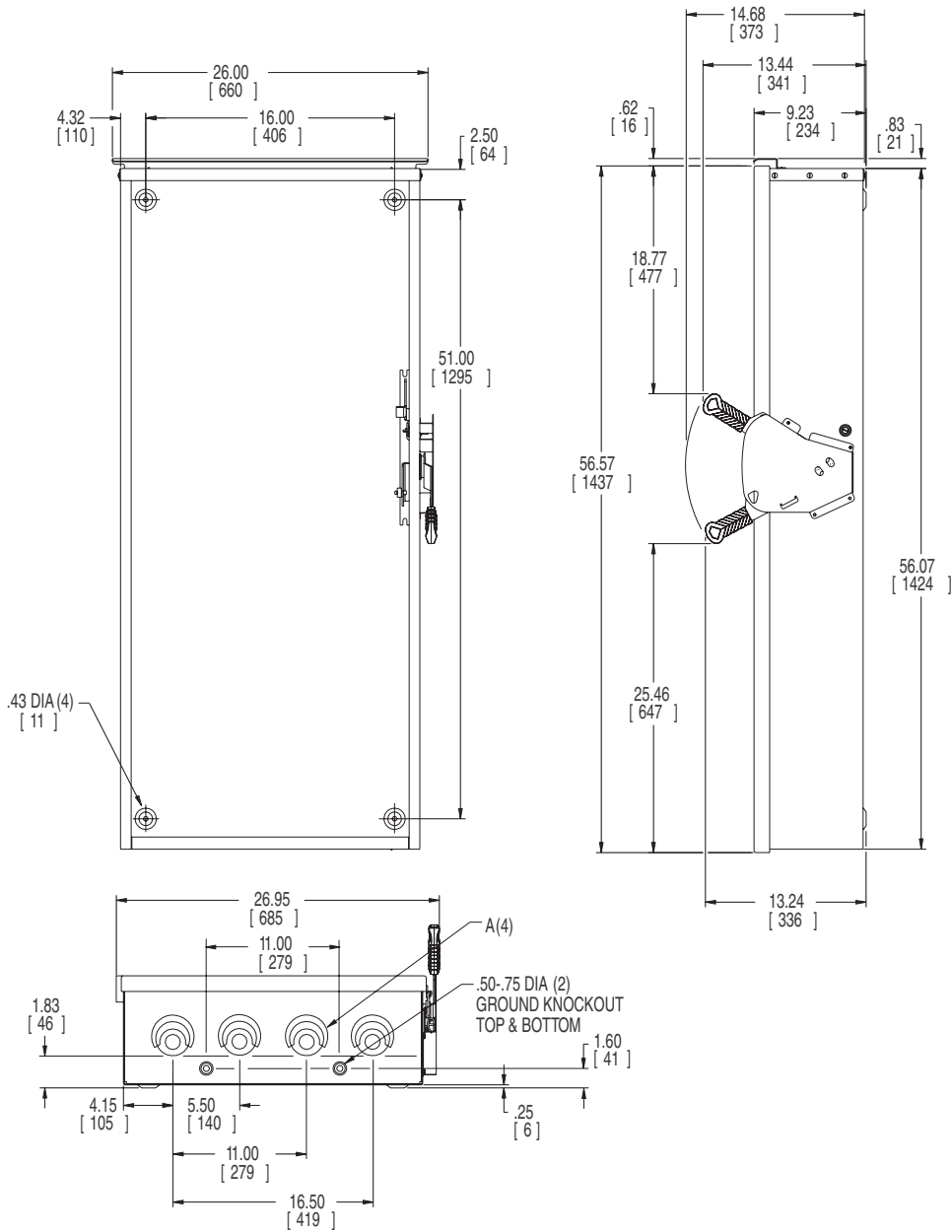
Product Specification Sheet GD600.3

Answers for industry.

SIEMENS

Product Specification Sheet #GD600.3 (page 2 of 2)

Dimension Drawing



Dimensions shown in inches and millimeters ().
Dimension shown accurate to ± 1/8 inch.

| KNOCKOUT CODE | CONDUIT SIZE | | | |
|----------------|--------------|------|------|------|
| | 2.00 | 2.50 | 3.00 | 3.50 |
| A (Tangential) | | | | |

| | LINE SIDE WIRE BEND | LOAD SIDE WIRE BEND |
|-------|---------------------|---------------------|
| Fused | 17.35 (441) | 19.72 (501) |

Enclosure: Galvanized Steel
.075 Thick (14 Gauge)
Finish: ANSI Grey #61 Paint