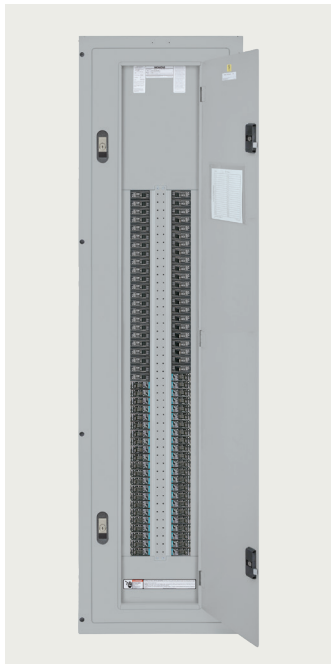


P2 Panelboards

usa.siemens.com/panelboards



Product Description

The current generation of panelboards from Siemens offers the high level of engineering and innovation you've come to expect from the leader in power distribution technology. The "P Series" line of panelboards offers a stepped approach to power distribution. (P1-P2-P3-P4-P5)

Flexibility is the hallmark of the P2 panel. This panel offers a wide array of factory-assembled options to meet virtually any lighting panel application. The ability to mix breaker frames within the unit space up to 250 amps will also meet certain distribution panel requirements in a much smaller package.

P2 construction includes the following:

- **250A or 600A max. panel bus ratings** in CU or AL
 - **Standard Circuit P2 Panels** from 9" to 45" of unit space with max. 54 neutral connections.
 - **Extended Circuit P2 Panels** with 33-45" of unit space. Total available neutral connections vary by configuration but some offer over 100 neutral connections.
- * **P2 Bussing options:** Temp rated CU or AL with Tin plating; 750 A/Si AL or 1000 A/Si CU with Tin plating; Silver Plated CU is available in both above configurations.
- ****P2 Unit Space** starts with 9" (18 circuits of 1-pole breakers) and increases in 6" increments as needed. Breakers mounted in the unit space can be mixed and matched to meet customer requirements.

Standards & Certifications:

- NEC: 2020 (where accepted), NEMA PB 1 and ANSI/NEMA PB1.1
- UL Listed: 67, 50 and 50E. (see "Panelboards" File #E2269, and #E4016) Also meets Federal Specification W-P-115c.
- NFPA 70 compliant (Enclosures are not fire rated).
- Seismically qualified and OSHPD rated (OSP #0078)- see also LVTM-LVSEI-xxxx Seismic Flie

Features Overview

The P2 Series lighting panel features include:

- 1) Fas-Latch trim (Type 1), is standard but, can be ordered with other popular front styles.
- 2) Adjustable Interiors with jacking screw system.
- 3) Neutral Configurations are all located at the Main end of the panel. Both Standard Circuit and Extended Circuit configurations are available with 56-116 total connections available. Qty and size varies depending on configuration
- 4) Unit Space is very Flexible with many Field installable kits that allow changes in the field as requirements change. BL/BQD kits, 3VA41/xGB kits, QR kits and 3VA52/61/62 kits allow changes in either 3" or 6" increments.
- 5) Main Breakers are field replaceable within the original breaker Frame size. Frame types cannot be changed in the field. Strap kits determine max. amperage breakers allowed.

P2 construction features:

- Either 250A or 600A max. main bus, both Temp Rated and A/Si (Amps per Square inch) Rated bus are available.
- Up to 600 volts AC with standard Bus bracing up to 200KAIC

Main space:

- **250A max. bus** allows for MLO (125A or 250A) and Main Breaker Types BL/BQD, 3VA41/xGB, QR or 3VA52/61/62 for 100-250A max. panel rating.
- **600A max. bus** allow for MLO (max. 400-600A) and Main Breaker Types 3VA53/63 (400A max) or 3VA54/64 (600A max.) See SpeedFax for other Legacy breaker types if needed.

Unit space:

- Strap kits for 1" frame breakers can be mixed in unit space as needed. (Each kit uses 3" of unit space)
 - BL/BQD kits also accept GFCI/AFCI Breakers, BT twin and BPSD surge protection devices.
 - 3VA41/xGB kits also accept BSPD surge protection devices
- Strap kits for larger frame breakers require 6" of unit space and are single mount for P2 panels.
 - QR kits are 225A max. and 240V max.
 - 3VA52/61/62 kits are the most versatile and are 250A max. and 600V max. with many optional accessories available.

Subfeed space:

- a) Feed-Thru Lugs either 250A max or 400-600A max are available.
- b) Subfeed Breakers are no longer available in P2 panels since 250A max. branch breakers now fit in unit space.

Additional information:

For complete application and pricing information contact your local sales office.

For further information on the product, visit our website at www.usa.siemens.com/panelboards.

For detailed configuration information consult the SpeedFax section 11 on the website.

P2 Panelboard additional information

Enclosures available:

- Std. Enclosure sizes: 20" wide x 5.75" Deep
- Std. heights: 26", 32", 38", 44", 50", 56", 62", 68" and 74". Also available B74FLR universal fit Type 1 Enclosure fits all P1/P2 interiors 26" thru 74".
- Std. Types Available: Type 1, Type 3R, Type 3R/12, or Type 4X

Type 1 Fronts — Surface or Flush available:

Order to match box height: Typical 20" wide w/ #14 Gauge Steel

- FasLatch Front (Surface or Flush) is Standard, options available: Screw-to-Box, Hinge-to-Box and Door-in-Door fronts with either standard hinge or Piano Hinge options (including 304 Stainless). [many of these fronts are also available for 24" wide enclosures when needed for P1-P2 applications]

Weight = Approximate 3 lbs. per inch of box height (3.2 lbs/inch for 24" wide)

- Total panelboard weight when filled with a normal quantity of breakers and accessories is an estimate only.

Series Connected Short Circuit Ratings

The term "Series Connected Short Circuit Rating" refers to the application of series connected circuit breakers in a combination that allows some breakers to have lower individual interrupting ratings than the available fault current.

This is permitted as long as the series combination has been tested and certified by UL. See Circuit Breaker Section of the SpeedFax.

- Series rating booklet # PBTA-00101B-1020 (web searchable)

4 P2 Panelboards

Catalog Numbering System: Factory Assembled →				P	2	C	4	2	M	L	2	5	0	A	T	S
Type of Panel:		P	2													
Voltage and System Code: (additional codes in SpeedFax)	A, C, D, E, F, J, I, T															
Circuits:	18, 30, 42, 54, 66, 78, 90															
(See Speedfax for MB Codes) Main:	ML = Main Lug, "xx" = Main Breaker															
Panel Amperage:	100-600A															
Bus Code:	(material/plating) A, B, E, F, G or H															
Feed Location:	T = Top B = Bottom															
Mounting:	S = Surface F = Flush															

Typical Voltage Codes	
A	120/240 1Ø 3 W AC
C	208Y/120 3Ø 4 W Wye AC
D	240 3Ø 3 W Delta AC
E	480Y/277 3Ø 4W Wye AC
F	480 3Ø 3 W Delta AC
J	240 1Ø 2W No Neutral AC
I	347 3Ø 3W Delta AC
T	230 3Ø 3W Delta AC
Note:	See SpeedFax for additional Voltage codes available.

Small Frame Branch Circuit Breakers (also see Bolt on SPD series BSPD in this flier # RPFL-BSPD1-0120)

P2 Small Frame Branch Circuit Breakers ^①				1-Pole					2-Pole and 3-Pole									
				Max IR (kA) at				Amp Ratings Available	Max IR (kA) at								Amp Ratings Available	
Amp Rating	Trip Type	Breaker Family	Breaker Type	120V	277V	347V	125V DC ^③		120/240V	240V	480Y/277V	480V	600Y/347V	600V	125/250V DC ^③	250V DC ^③		
100	Thermal Magnetic	BL	BL, BT ^②	10	—	—	—	15-70 ^②	10	10	—	—	—	—	—	15-100 ^④		
			BLH, BTH ^②	22	—	—	—	15-70 ^②	22	22	—	—	—	—	—	15-100 ^④		
			HBL	65	—	—	—	15-50	65	65	—	—	—	—	—	15-100		
	Special ^② Application	BLG BL	BLG ^②	10	—	—	—	15-20	10	-	—	—	—	—	—	30		
			BL(HID) ^②	10	—	—	—	15-30	10	-	—	—	—	—	—	15-30		
	Thermal Magnetic	BQD BQD (CSA)	BQD ^⑤	65	14	—	14	15-100	—	65	14	—	—	—	14	—	15-100	
BQD6 ^⑥			65	—	—	14	15-70	—	65	—	—	10	—	14	—	15-70		
XX	Electronic and misc.	BL	AFCI/GFCI & Dual Function	X	—	—	—	see special table page SF 11-17	x	—	—	—	—	—	—	see special table page SF 11-17		
125	Thermal Magnetic	GB	NGB	100	25	14	14	15-125	—	100	25	—	14	—	14	—	15-125	
			HGB	100	35	14	14	15-125	—	100	35	—	14	—	14	—	15-125	
			LGB	100	65	14	14	15-125	—	100	65	—	14	—	14	—	15-125	
		3VA41 ^⑦	SEAB	65	25	14	14			65	65	25	25	14	—	50	50	15-125
			MEAB	85	35	18	25			85	85	35	35	18	—	85	85	15-125
			HEAB	150	65	25	30			150	150	65	65	25	—	100	100	15-125

① Unit space is 1 inch per pole, except for Special Application with accessory included.
 ② BLG: Two-pole breaker is one phase and neutral. Three pole is two phases and neutral
 - See SpeedFax Section 7 for additional info. Some are Built to order. Allow 2-3 weeks delivery.
 ③ DC Voltage Systems are not approved for use in P1 panels. Refer to P2/P3 panels if DC Voltage Systems are needed.

④ 110A-125A BL/BLH (2-pole only) available as Main or Subfeed in Revised P1 panels only.
 ⑤ Approved for CSA and UL Listed.
 ⑥ Approved for CSA but not UL Listed.
 ⑦ BT and BTH are only available in 15A and 20A with two 1-pole circuits in one inch of unit space.

Primary Main Breaker Selections available for P2 Panels

Note: all 250A and 225A frame are also suitable for single Horizontal mount in Unit Space.

P2 Main Circuit Breakers & Unit Space (up to 250A max.) ①				2-Pole and 3-Pole					Amp Ratings Available	Branch Strap Kits ③ (not for use as Main Kit)
Amp Rating	Breaker Family	Main Breaker Code	Breaker Type	Max IR (kA) at						
				240V	480Y /277V	480V②	600Y /347V	600V②		
100 (Horiz. only)	BL	BL	BL	10	—	—	—	—	15-100	BBKB32 for 1-ph or 3-ph 3" of unit space
		BH	BLH	22	—	—	—	—	15-100	
		HB	HBL	65	—	—	—	—	15-100	
	BQD	BQ	BQD②	65	14	—	10	—	15-100	
125 (Horiz. only)	Sentron GB	NB	NGB	100	25	—	14	—	15-125	BBKVA4P2P3 for 1-ph or 3-ph 3" of unit space
		G2	HGB	100	35	—	14	—	15-125	
		G3	LGB	100	65	—	14	—	15-125	
	3VA41	V1	SEAB	65	—	25	14	—	15-125	
		V2	MEAB	85	—	35	18	—	15-125	
V3	HEAB	100	—	65	25	—	15-125			
225④ (Horiz. or vert. mount)	Sentron QR	QR	QR2	10	—	—	—	—	100-225	BBKQR1 for 1-ph or 3-ph 6" of unit space Single mount Branch
		Q4	QRH2	25	—	—	—	—	100-225	
		Q5	HQR2	65	—	—	—	—	100-225	
		Q6	HQR2H	100	—	—	—	—	100-225	
250⑤ [150] (Horiz. or vert. mount)	3VA52 (W/TM230 trip)	VA	MFAS	85	—	35	—	18	100-250	BBKVA5262P2S for 1-ph or 3-ph 6" of unit space Single Mnt. kit with Hardware kit # BBKVA5262P2HW
		VB	HFAS	100	—	65	—	25	100-250	
		VC	CFAS	200	—	100	—	35	100-250	
	3VA62 [3VA61] (ETU350 LSI standard)	WA [W2]	MFAE [MDAE]	100	—	35	—	18	100-250 [40-150]	
		WB [W3]	HFAE [HDAE]	100	—	65	—	22	100-250 [40-150]	
WC [W4]	CFAE [CDAE]	200	—	100	—	35	100-250 [40-150]			
WD [W5]	LFAE [LDAE]	200	—	150	—	50	100-250 [40-150]			
400⑥	3VA53 (W/TM230 trip)	VE	MJAS	85	—	35	—	18	200-400	Vertical Main only Not available as Field Branch Kit - Not available for Subfeed
		VF	HJAS	100	—	65	—	25	200-400	
		VG	CJAS	200	—	100	—	35	300-400	
	3VA63 (ETU350 LSI standard)	WE	MJAE	100	—	35	—	18	100-400	
		WF	HJAE	100	—	65	—	22	100-400	
		WG	CJAE	200	—	100	—	35	100-400	
		WH	LJAE	200	—	150	—	50	100-400	
600⑦	3VA54 (TM230 std)	VJ	MLAS	85	—	35	—	18	450-600	Vertical Main only Not available as Field Branch Kit - Not available for Subfeed
		VK	HLAS	100	—	65	—	25	450-600	
		VL	CLAS	200	—	100	—	35	450-600	
	3VA64 (ETU350 LSI standard)	WJ	MLAE	100	—	35	—	18	160-600	
		WK	HLAE	100	—	65	—	22	160-600	
		WL	CLAE	200	—	100	—	35	160-600	
		WM	LLAE	200	—	150	—	50	160-600	

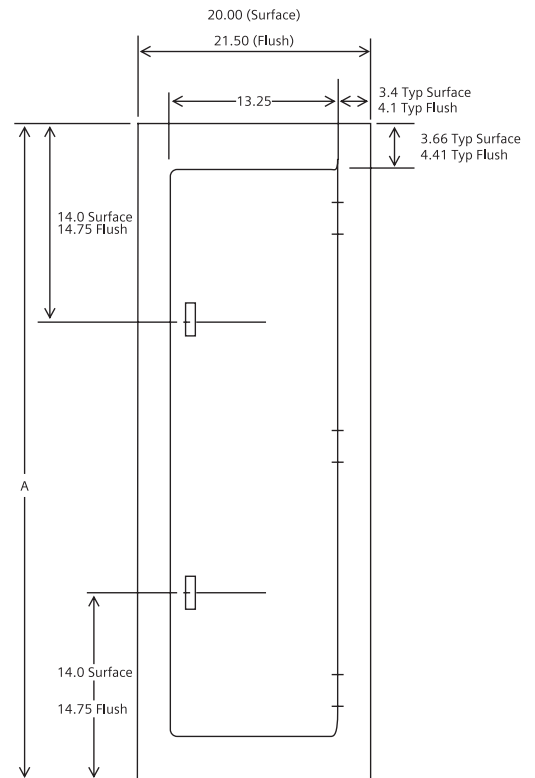
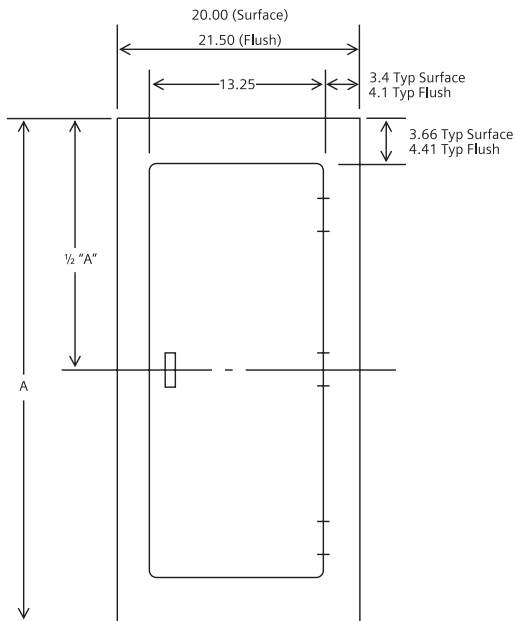
① See Branch Strap Kit column for Field installable kits.
 ② Approved for CSA and UL Listed.
 ③ Kits for unit space can be mixed as needed for application and re-arranged in the field.
 ④ QR and 3VA52/61/62 can be used as Main or Branch. Branch requires strap kit for single mount in 6" of unit space. Adding in the field one of these Strap kits may require adjusting the Deadfront Center strip. See DFK1 and other lengths (DFK07 thru DFK21) in SpeedFax as needed.
 ⑤ 3VA53/63 and 3VA54/64 can be used as Vertical Main only.
 ⑥ 480V values apply to 480Y/277V also.
 ⑦ 600V values apply to 600Y/347V also.



Standard Enclosures

Box Height (in.)	Catalog Number				
	Type 1 Standard Trim			Type 3R [®]	Type 3R/12 [®]
	Box ^①	Surface ^②	Flush ^③		
26	B26	S26B	F26B	NR26	WP26
32	B32	S32B	F32B	NR32	WP32
38	B38	S38B	F38B	NR38	WP38
44	B44	S44B	F44B	NR44	WP44
50	B50	S50B	F50B	NR50	WP50
56	B56	S56B	F56B	NR56	WP56
62	B62	S62B	F62B	NR62	WP62
68	B68	S68B	F68B	NR68	WP68
74	B74	S74B	F74B	NR74	WP74

- ① 14 Gauge Steel only.
- ② 16 Gauge Can w/ 14 Gauge Front.
- ③ (UL approved construction. 16 Gauge Steel Can with 14 Gauge front or similar approved construction.) A60 Galvanneal with ANSI 61 light gray paint is standard.

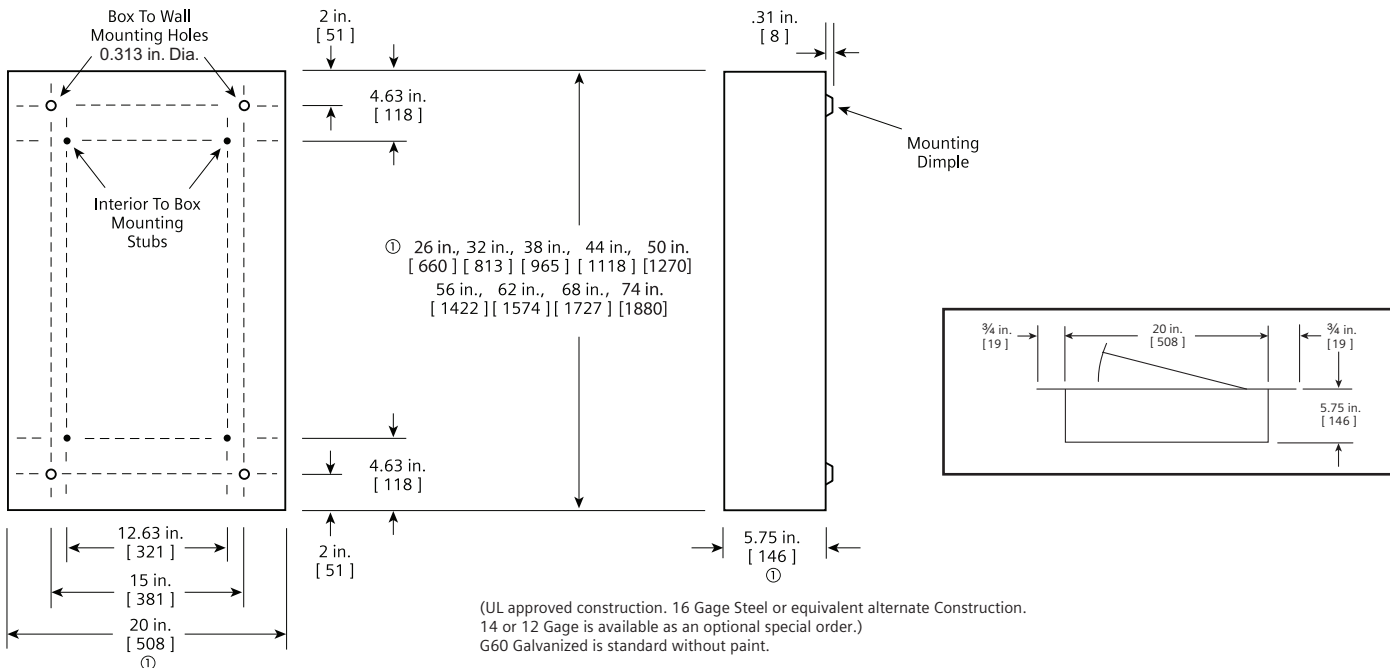


Box Size	Surface	Flush	No. of Hinges
	A	A	
26	26	27.5	2
32	32	33.5	2
38	38	39.5	2
44	44	45.5	3
50	50	51.5	3

Box Size	Surface	Flush	No. of Hinges
	A	A	
56	56	57.5	3
62	62	63.5	3
68	68	69.5	3
74	74	75.5	3

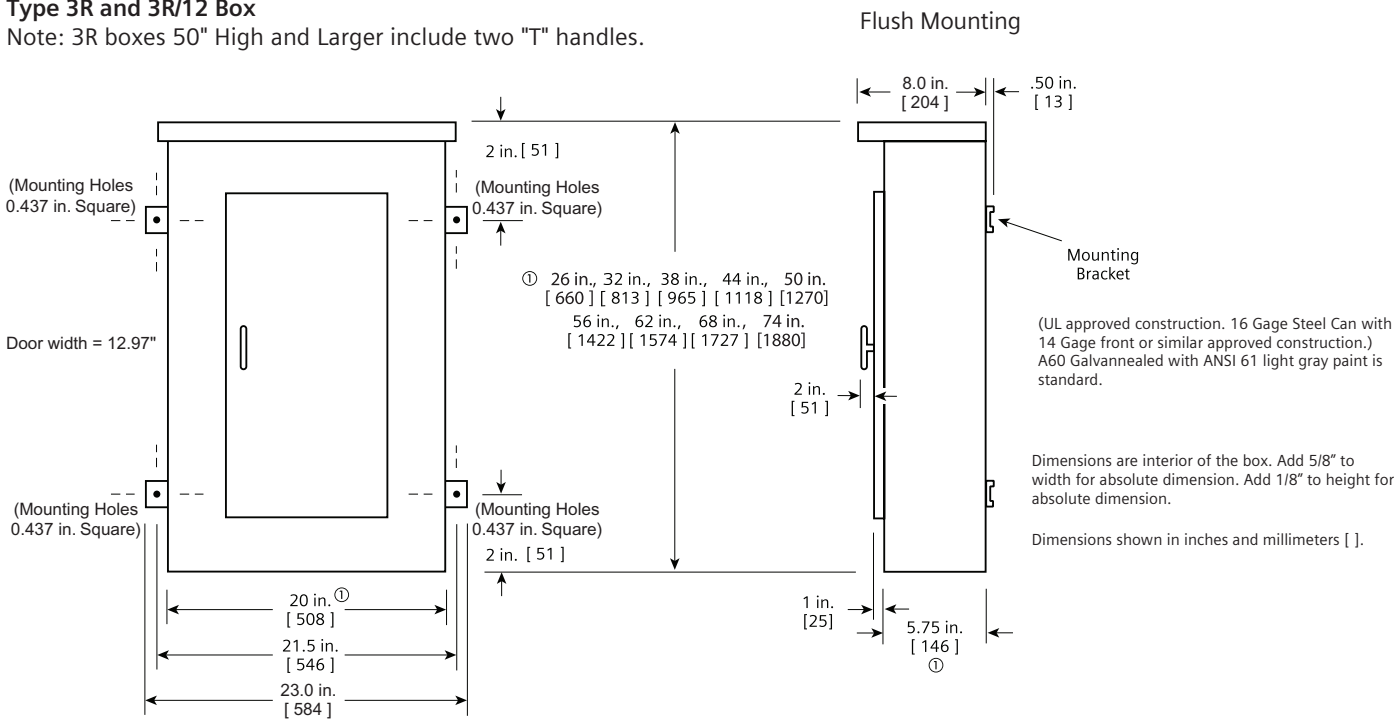
Type 1 Box

Box is symmetrical



Type 3R and 3R/12 Box

Note: 3R boxes 50" High and Larger include two "T" handles.



Legal Manufacturer

Siemens Industry, Inc.
3617 Parkway Ln
Peachtree Corners, GA 30092
United States of America

Telephone: +1 (800) 333-7421
www.usa.siemens.com/panelboards

Order No. PBSS-20302-1021
© 10.2021, Siemens Industry, Inc.

This document contains a general description of available technical options only, and its effectiveness will be subject to specific variables including field conditions and project parameters. Siemens does not make representations, warranties, or assurances as to the accuracy or completeness of the content contained herein. Siemens reserves the right to modify the technology and product specifications in its sole discretion without advance notice.