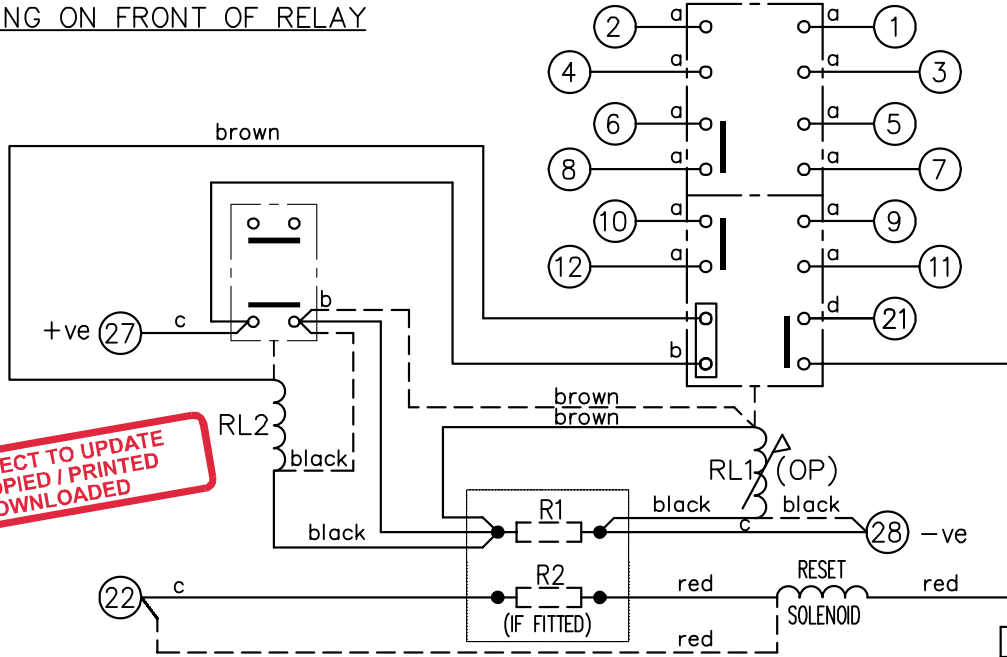


LOOKING ON FRONT OF RELAY



NOT SUBJECT TO UPDATE
ONCE COPIED / PRINTED
OR DOWNLOADED

PRINTED ON 12/04/2012
ENSURE CORRECT REVISION
DESTROY AFTER USE

2112W50122

ASSEMBLY WIRES USED	
a	2107B10001 12 OFF
b	2107D10169 2 OFF
c	2107D10165 3 OFF
d	2107B10003 1 OFF

RL3 (RESET) KIT	REFER TO ENGINEERING				SOLKIT: 36V	REFER TO ENGINEERING
RL2 COIL					2112G20031	
RL1 (OP) COIL					2112G20020	
R2					NIL	
R1					2X100R IN SERIES 2102C41101	
Vdc	24	30	48	60	125	240

KEY	CONTACT CONFIG.	OUTPUT CONTACT PAIR / TERMINAL No.					
		1-3	2-4	5-7	6-8	9-11	10-12
⊖⊖ make contact	6M	M	M	M	M	M	M
⊖⊖ break contact	5M 1B	M	B	M	M	M	M
⊖⊖ c/o contact	4M 2B	B	B	M	M	M	M
⊖ ext. conn	3M 3B	B	B	B	M	M	M
plug bridge - shorting	2M 4B	B	B	B	M	B	M
metering point							
5Kv barrier							
test socket - shorting							
plug & socket							

NOTE:
1. CONTACT CONFIGURATION ABOVE IS REQUIRED FOR RELAY OPERATION. FOR DETAILS OF VARIABLE CONTACT OPTIONS SEE TABLE OPPOSITE.
2. RESISTORS R1 & R2 ARE FITTED ONLY WHEN REQUIRED. SEE TABLE ABOVE.
3. DASHED LINE --- SHOWS CONNECTIONS WHEN RESISTORS ARE NOT FITTED.

FRAME REFERENCE: E4FS05.

FRAME TERMINAL BLOCK ASSY: -

ASSEMBLY INSTRUCTIONS: -
TYPICAL ASSEMBLY DRAWING 2995G10032.
AT INDICATED POSITIONS FIT AS FOLLOWS:
T - FIT TRIP ISOLATION CONTACT 2995B10053
S - FIT STANDARD CONTACT 2995B10054
SECURE CONTACTS USING FIXING SCREW 2109F99009.
POSITIONS SHOWN BLANK ARE UNUSED

2	T	T	1
4	T	T	3
6	T	T	5
8	T	T	7
10	T	T	9
12	T	T	11
14			13
16			15
18			17
20			19
22	S	S	21
24			23
26			25
28	S	S	27

VIEW FROM NUMBERED SIDE OF BLOCK

OUTER TERMINAL BLOCK ASSY: -

ASSEMBLY INSTRUCTIONS: -
TYPICAL ASSEMBLY DRAWING 2995G10029.
AT INDICATED POSITIONS FIT AS FOLLOWS:
S - FIT STANDARD CONTACT 2995B10051
HC - FIT 'HEAVY CURRENT' KIT 2995G10030
WHERE ⊖⊖ IS SHOWN FIT CT SHORTING KIT 2995G10031
POSITIONS SHOWN BLANK ARE UNUSED.
ALL POSITIONS FIT SCREW 2106F12506.

2	S	S	1
4	S	S	3
6	S	S	5
8	S	S	7
10	S	S	9
12	S	S	11
14			13
16			15
18			17
20			19
22	S	S	21
24			23
26			25
28	S	S	27

VIEW FROM INSIDE FACE

Title: T.B. AND WIRING DIAGRAM FOR 7PG15233 (TR233) 6 CONTACT RELAY IN E4 CASE			First used on:		
			Similar Articles:		
			Supersedes:		
7 RDW	12/04/12	MN112/3514 JB	Original Scale:	Drq.No.	
6	07/12/09	MN112/3223		2112W50122	
ISSUE	DATE	MOD.No.	SIEMENS PROTECTION DEVICES LTD.		
DRAWN: A.LAW	CHECKED: RD.WATSON	APPROVED: RD.WATSON	DATE: 08/12/2009	IE:	OPS: