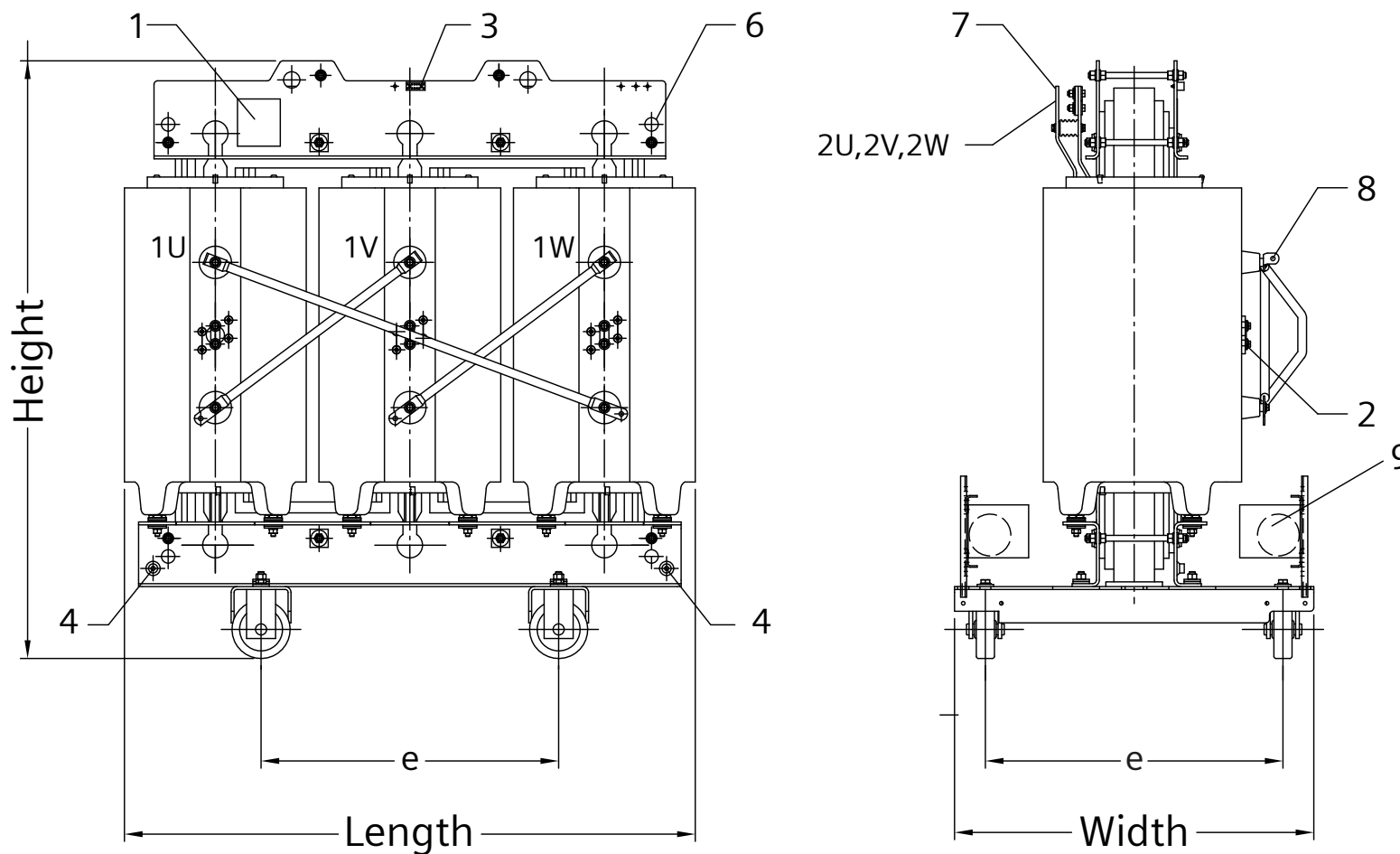


Planning data for GEAFOL neo transformers (IEC TS 60076-20 level 2; EN 50588-1: AA₀ - A_k)

Rated power	Primary rated voltage ± 2 x 2,5 %	Secondary rated voltage	Rated short-circuit voltage	No-load losses	Short-circuit losses at 120 °C	Power losses at rated transformer power	Air-flow rate required for cooling at rated transformer power (approx, 25 °C air temperatur) in m ³ / min	Power losses at maximum transformer power (140%) ¹⁾	Air-flow rate required for cooling at maximum transformer power ¹⁾ (approx, 25 °C air temperatur) in m ³ / min	Sound power level ²⁾	Total weight	Length	Width	Height	Order number
S _r in kVA	U _r OS in kV	U _r US in V	u _{kr} %	P ₀ in W	P _{k120} in W	P _(nom) in W	in m ³ / min	P _(max) in W	in m ³ / min	I _{WA} in dX	in kg	(A) in mm	(X) in mm	(H) in mm	MLFB
100	10	400	4	252	1,800	2,240	7.0	-2)	-2)	49	800	1,250	695	985	4GB5044-3F
	20	400	4	252	1,800	2,240	7.0	-2)	-2)	49	1,060	1,310	765	1,250	4GB5064-3F
	30	400	6	290	1,980	2,470	7.5	-2)	-2)	49	1,740	1,570	850	1,530	4GB5075-3E
160	10	400	4	360	2,600	3,220	10.0	-2)	-2)	52	1,120	1,320	710	1,125	4GB5244-3F
	20	400	4	360	2,600	3,220	10.0	-2)	-2)	52	1,390	1,450	785	1,145	4GB5264-3F
	30	400	6	414	2,860	3,560	11.0	-2)	-2)	52	1,610	1,530	840	1,535	4GB5275-3E
250	10	400	4	468	3,400	4,210	13.0	-2)	-2)	55	1,700	1,450	730	1,235	4GB5444-3F
	20	400	4	468	3,400	4,210	13.0	-2)	-2)	55	1,760	1,510	765	1,260	4GB5464-3F
	30	400	6	538	3,740	4,660	14.5	-2)	-2)	55	2,140	1,630	935	1,595	4GB5475-3E
315	10	400	4	558	3,878	4,830	15.0	-2)	-2)	57	1,990	1,510	820	1,345	4GB5544-3F
	20	400	4	558	3,878	4,830	15.0	-2)	-2)	57	1,930	1,560	855	1,300	4GB5564-3F
	30	400	6	642	4,266	5,340	16.5	-2)	-2)	57	2,430	1,680	940	1,600	4GB5575-3E
400	10	400	4	675	4,500	5,630	17.5	-2)	-2)	58	2,250	1,560	825	1,410	4GB5644-3F
	20	400	4	675	4,500	5,630	17.5	-2)	-2)	58	2,050	1,550	855	1,435	4GB5664-3F
	30	400	6	675	4,950	6,230	19.0	-2)	-2)	58	2,370	1,650	940	1,720	4GB5675-3E
500	10	400	4	812	5,630	7,050	21.5	13,000	39.5	59	2,530	1,590	830	1,510	4GB5744-3F
	20	400	4	812	5,630	7,050	21.5	13,000	39.5	59	2,370	1,580	855	1,530	4GB5764-3F
	30	400	6	934	6,194	7,750	23.5	14,500	43.5	59	2,610	1,690	945	1,720	4GB5775-3E
630	10	400	4	990	7,100	8,800	27.0	16,300	49.5	61	1,890	1,445	845	1,465	4GX5844-3E
	20	400	4	990	7,100	8,800	27.0	16,300	49.5	61	2,180	1,520	885	1,560	4GX5864-3E
	30	400	6	1,140	7,800	9,720	29.5	18,000	54.5	61	3,000	1,750	935	1,750	4GX5875-3E
800	10	400	6	1,170	8,000	9,970	30.5	18,500	56.0	63	2,270	1,530	860	1,555	4GX5944-3E
	20	400	6	1,170	8,000	9,970	30.5	18,500	56.0	63	2,540	1,585	895	1,620	4GX5964-3E
	30	400	6	1,350	8,800	11,030	33.5	20,500	62.0	63	3,240	1,750	935	1,890	4GX5975-3E
1,000	10	400	6	1,395	9,000	11,300	34.5	20,800	63.5	64	2,670	1,610	990	1,620	4GX6044-3E
	20	400	6	1,395	9,000	11,300	34.5	20,800	63.5	64	3,090	1,695	1,000	1,740	4GX6064-3E
	30	400	6	1,600	9,900	12,500	38.0	23,000	70.0	64	3,690	1,780	1,025	2,055	4GX6075-3E
1,250	10	400	6	1,620	11,000	13,720	42.0	25,500	77.0	66	3,160	1,660	990	1,730	4GX6144-3E
	20	400	6	1,620	11,000	13,720	42.0	25,500	77.0	66	3,580	1,760	1,010	1,820	4GX6164-3E
	30	400	6	1,860	12,100	15,170	46.0	28,000	85.0	66	4,030	1,805	1,030	2,170	4GX6175-3E
1,600	10	400	6	1,980	13,000	16,280	49.5	30,050	91.0	67	3,750	1,735	990	1,895	4GX6244-3E
	20	400	6	1,980	13,000	16,280	49.5	30,050	91.0	67	4,160	1,835	1,020	1,900	4GX6264-3E
	30	400	6	2,280	14,300	18,010	55.0	33,150	100.5	67	4,900	1,915	1,045	2,310	4GX6275-3E
2,000	10	400	6	2,340	16,000	19,940	60.5	36,900	112.0	69	4,660	1,870	1,280	2,050	4GX6344-3E
	20	400	6	2,340	16,000	19,940	60.5	36,900	112.0	69	5,100	1,885	1,280	2,190	4GX6364-3E
	30	400	6	2,690	17,600	22,050	67.0	40,650	123.5	69	5,780	1,990	1,280	2,500	4GX6375-3E
2,500	10	400	6	2,790	19,000	23,690	72.0	43,800	133.0	70	5,960	2,025	1,280	2,170	4GX6444-3E
	20	400	6	2,790	19,000	23,690	72.0	43,800	133.0	70	6,440	2,080	1,280	2,285	4GX6464-3E
	30	400	6	3,210	20,900	26,200	79.5	48,300	146.5	70	7,160	2,155	1,280	2,545	4GX6475-3E
3,150	10	400	6	3,420	22,000	27,620	84.0	50,900	154.4	73	7,660	2,160	1,280	2,475	4GX6544-3E
	20	400	6	3,420	22,000	27,620	84.0	50,900	154.5	73	8,020	2,205	1,280	2,525	4GX6564-3E
	30	400	6	3,930	24,200	30,550	93.0	56,150	170.5	73	8,570	2,385	1,280	2,635	4GX6575-3E

1) Power increase through extra ventilation ("ZE50" has to be added to the order number) 2) Without extra ventilation

Note: All data without engagement; subject to change without prior notice (04/20)



e (100 - 250 kVA)	520 mm	1	Rating plate	6	Lashing lug
e (400 - 800 kVA)	670 mm	2	HV tapping links	7	LV terminals
e (1,000 - 1,600 kVA)	820 mm	3	Temp. monitoring system	8	HV terminals
e (2,000 - 3,150 kVA)	1,070 mm	4	Earthing terminal (M 12)	9	fan (optional)
		5	Towing lug		
Wheels 90° convertible					

Measurements are not binding, we reserve the right to change construction details