


Installation Instructions

	⚠ DANGER
	<p>Hazardous voltage. Will cause death or serious injury.</p> <p>Turn power off supplying device before installing.</p>

⚠ SAFETY INSTRUCTIONS

BREAKER TYPES
FJ6(ETI),F6,HF6,CLF(ETI),SFD6,SHFD6,FD6, (H)(H)FXD6 (ETI) ,(H)HFD6, CFD6(ETI), HFJ6, SCFD6

NOTE: This instruction outlines the recommended installation procedure.

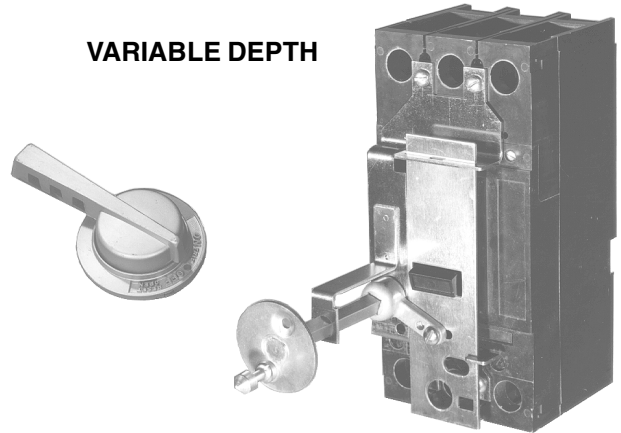
1. Turn power off supplying device before installing kit.

General Information

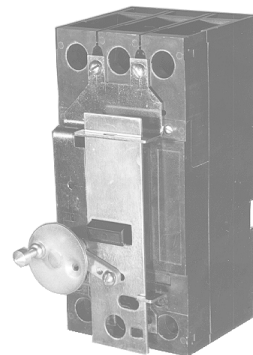
Handle will permit locking the disconnect devices in the "OFF" position using up to three padlocks having shackle diameters ranging from 1/4 to 3/8 inches in diameter. Provision for locking in "ON" position is provided, but the handle must have material covering the locking notch removed. This can be done with a hacksaw or file. The handle has a voidable interlock. Voiding the interlock requires inserting a small screwdriver into the rectangular opening in the handle plate, which will release the handle.

(For padlocking requirements where more than 3 locks are needed - use Siemens catalog number SLO420 which will accommodate a maximum of 6 padlock with shackle diameters up to 5/16 inches in diameter.)

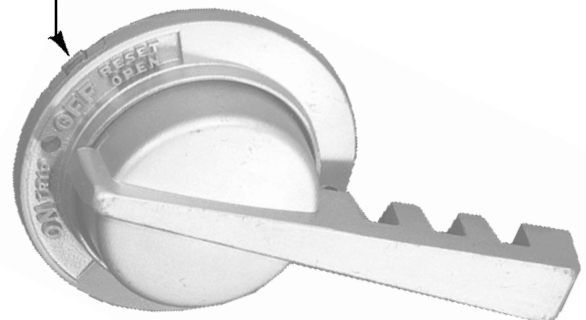
VARIABLE DEPTH

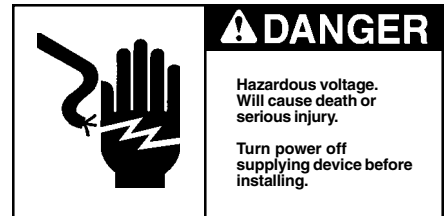


STANDARD DEPTH



INSERT SCREWDRIVER
HERE TO VOID
INTERLOCK

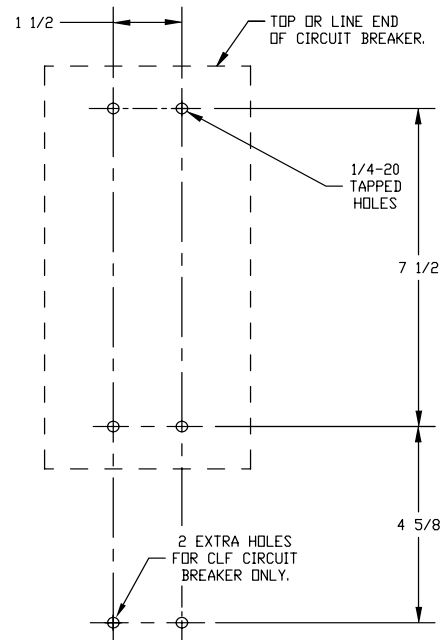




Installation Instructions

Mounting Instructions

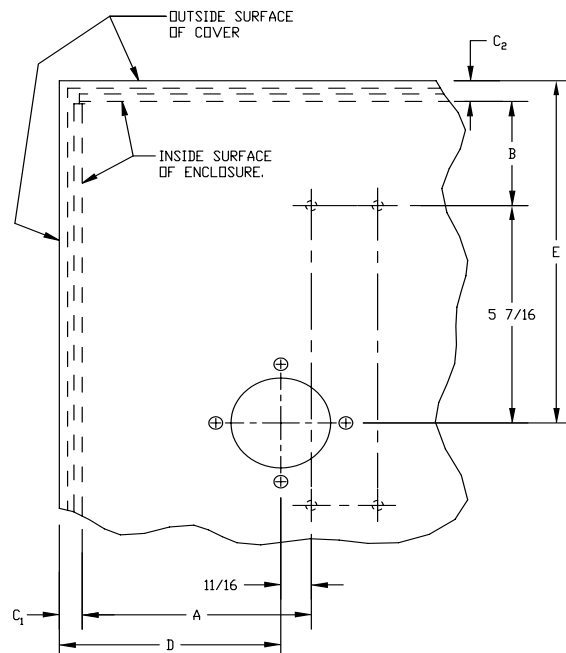
- Drill and tap breaker mounting holes as shown. Two (2) additional holes may be required for CLF current limiting circuit breakers.

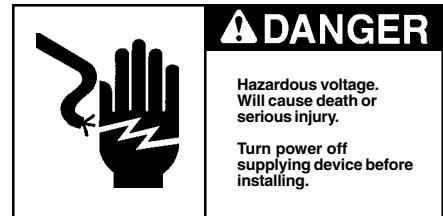


- Measure distances “A” and “B” from mounting holes to inside surface walls of the enclosure. Find handle center dimensions “D” and “E” by adding (enclosure thickness and cover overhang) “C₁” + “A” - 11/16 and “C₂” + “B” + 5-7/16. Drill hole “X” (2 1/4 dia.) and drill hole “Y” or “Z” (5/16 dia.) depending on handle orientation required.

$$E = (C_2 + B + 5-7/16)$$

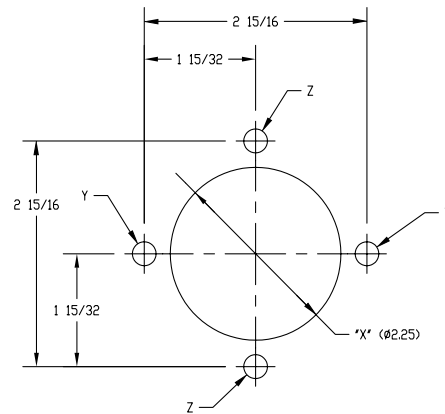
$$D = (C_1 + A - 11/16)$$





Installation Instructions

4. If installing variable depth kit, measure distance "F" from breaker mounting surface to outside of cover. If distance "F" is less than 8 inches then remove shaft guide bracket.
5. Find length "G" by subtracting "F" from 16-5/8 inches. Mark length "G" from end of operating shaft and cut shaft squarely at mark.
6. Breaker must be "tripped" during installation. Push red button marked "Push to trip".
7. Using screws supplied with kit, attach mechanism plate to breaker and mount in enclosure in position shown.
8. Insert end of operating shaft into square socket in cast operating arm so that top of shaft has proper relationship to handle. Tighten set screw in operating arm (Recommended Torque: 75 in. lbs.).
9. Place handle and cork gasket on outside of cover and place handle mounting bracket on inside of cover; fasten together loosely through cover with the two short screws provided.
10. Adjust handle so that cover will not open when handle is in "OFF" position but will open when handle is between "OFF" and "RESET/OPEN" positions. Tighten screws and operate handle "ON" and "OFF" to see that circuit breaker operates satisfactorily.



"Y" & "Z" = (Ø 5/16)

NOTE: DRILL ONLY THE "Y" HOLES OR THE "Z" HOLES, NOT BOTH.

