

Rainproof Combination Metering

Catalog Number
JC002AR

Enclosure
Type 3R

Panelboard Rating:
125 Amps Max. - See service disconnect rating.
120/240 Volts~ 1 Phase, 3 Wire
208Y/120 Volts~ 1 Phase, 3 Wire (Derived from a 3
Phase, 4 Wire system with EC5J 5th Jaw installed.)

Meter Socket Rating: 100 Amps Continuous

FOR OVERHEAD SERVICE ONLY

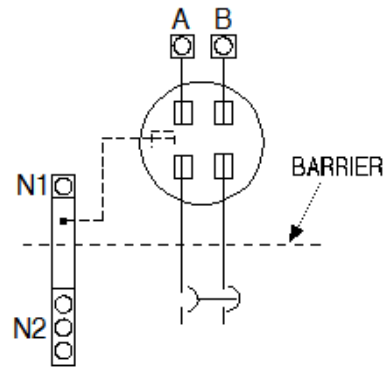
For installation by a qualified person in
accordance with all local electrical codes and/or
the National Electrical Code.®

**SUITABLE ONLY FOR USE AS
SERVICE EQUIPMENT.**

**USE COPPER OR ALUMINUM
WIRE.**

Terminals A, B, N1, N2
Suitable for 60°/75°C Conductors.
Wire Size: 1/0 - #14 AWG.
Torque: 45 lb.-in.

General Information:
Circuit breaker overload trip position is indicated
by handle position midway between ON and OFF.
To reset, move handle to OFF position then turn
ON.



Refer to Breaker markings for wire size,
rating and torque. Breaker Terminals
Suitable for 60°/75°C Conductors.

If hub is required, use RX Type Hubs
Catalog numbers listed below:

Trade size (in)	Catalog number
1-1/4"	EC38597
1-1/2"	EC38598
2"	EC38599
2-1/2"	EC38600

Short Circuit Current Rating (Wattour Meter not included in short circuit current rating). This panelboard has a maximum short circuit rating of 10,000 RMS symmetrical amperes, 120/240 Volts AC maximum. The actual rating is dependent on the main breaker installed in this panelboard. Install only Siemens (Murray Brand) Type MP-T circuit breakers. Any circuit breaker installed, replaced or added in this panelboard must be manufactured by Siemens and must be of the correct type as indicated above.

Warning: This equipment has been designed for use only with circuit breakers listed above. Use of other circuit breakers in this equipment could result in personal injury or property damage and may void the warranty.

Important: Do not allow petroleum based (hydrocarbon) sprays, chemicals, solvents or any paint to contact interior components. Petroleum based chemicals can cause degradation of electrical insulating materials.

49310727

58049-00-02 Rev.C

Murray Electrical Products

Siemens Industry, Inc.
Macon, Georgia U.S.A.

DH1

MURRAY

® The National Electrical Code is a registered trademark of the National Fire Protection Association.
© 2012 Copyright Siemens Industry, Inc.