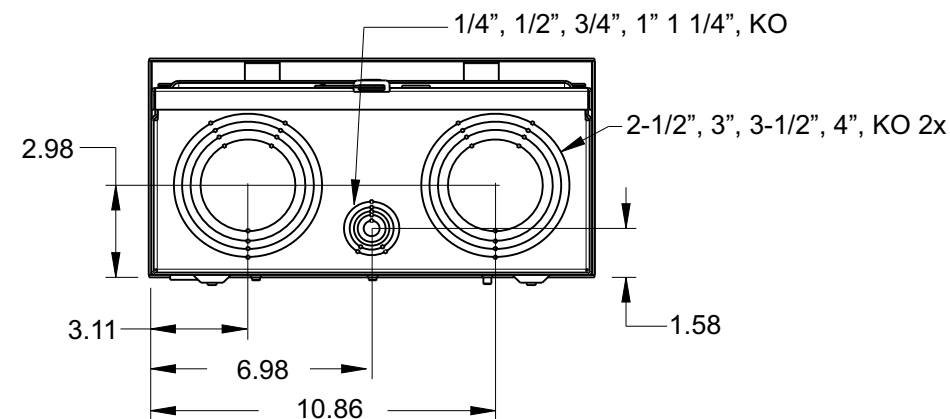
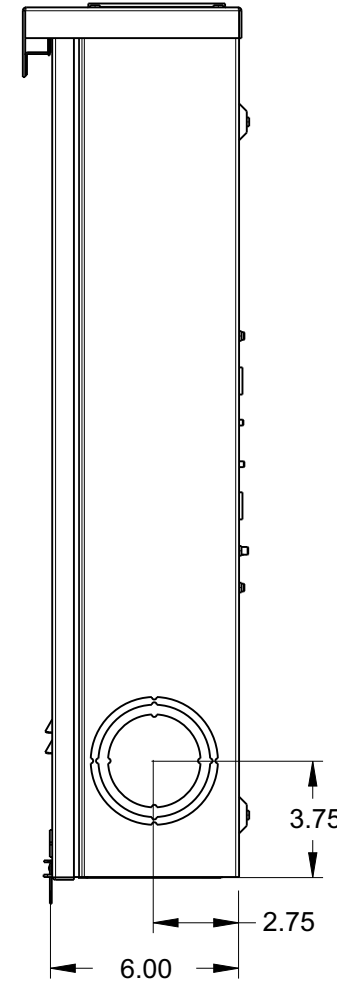
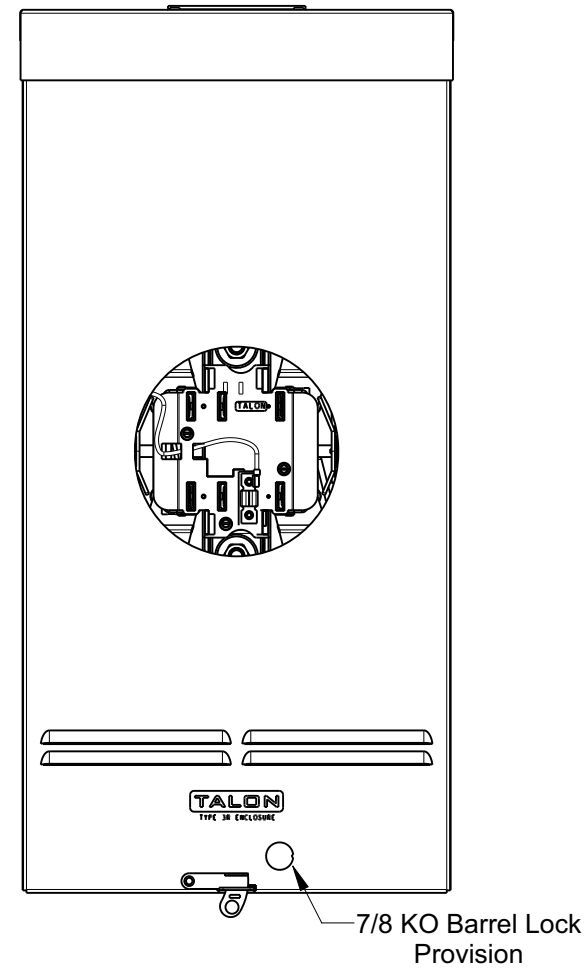
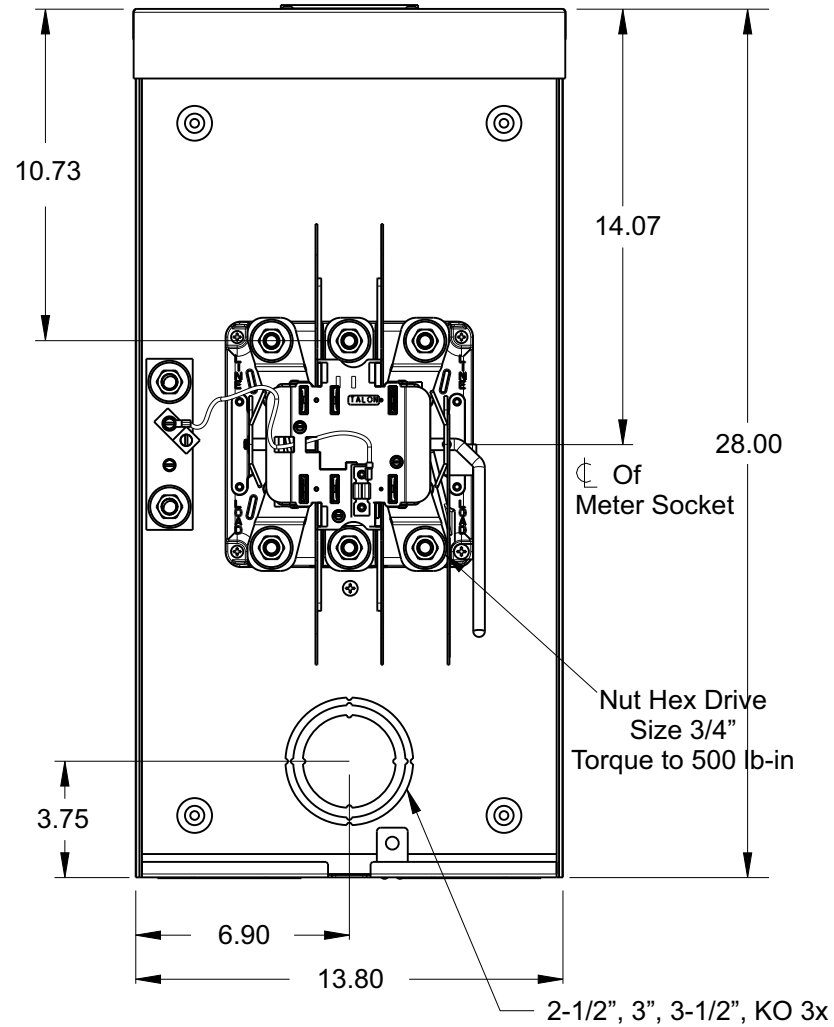
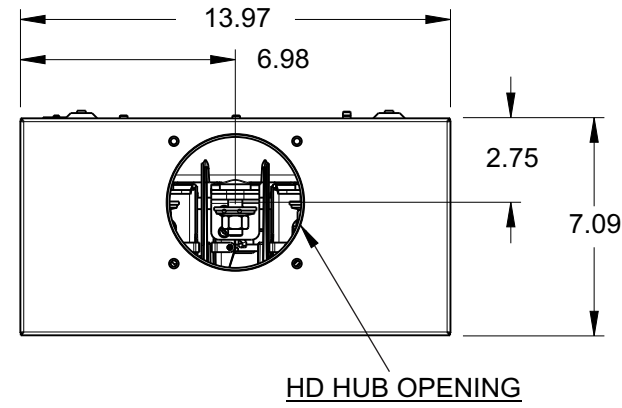


# Catalog Number: 47707-01GP

## Features and Ratings

- Ringless Type Meter Socket
- 320A Continuous, 400A Max.
- Outdoor Enclosure (NEMA Type 3R)
- Painted G90 STEEL
- 3 Phase, 4 Wire, 600V AC
- 7 Jaw
- HQD Clamp Jaw Lever Bypass Meter Socket
- For Overhead or Underground Service
- HD Hub Opening
- One Ground Lugs
- 7/8" Barrel Lock Provision



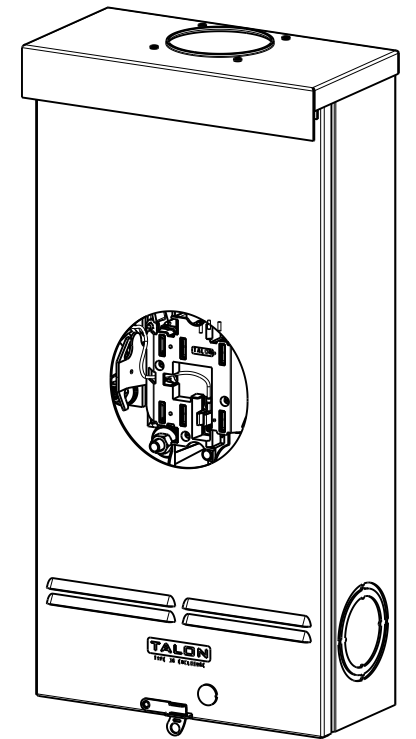
### Accessories

- Meter Opening Cover Plate  
Cat No: H39968
- HD CONDUIT HUB KITS  
Cat No: H56856-2 (3")  
Cat No: H56857-2 (3.50")  
Cat No: H56858-2 (4")
- HD CONDUIT HUB KITS  
Cat No: EC56856 (3")  
Cat No: EC56857 (3.50")  
Cat No: EC56858 (4")
- HD COVERPLATE  
Cat No: H56933
- HD COVERPLATE  
Cat No: EC56933S

### Lugs, Wire Sizes and Torques

LOCATION	PART NO.	HEX DRIVE SIZE	WIRE SIZE	TORQUE
LINE	H60162	1/2"	#4 AWG-600 kcmil (2)#1/0 AWG-250 kcmil	500 LB-IN
LINE	H56476	1/2"	#3/0 AWG-800 kcmil	500 LB-IN
LINE	H56732	5/16"	(2)#4 AWG-350 kcmil	275 LB-IN
LOAD	H60162	1/2"	#4 AWG-600 kcmil (2)#1/0 AWG-250 kcmil	500 LB-IN
LOAD	H56476	1/2"	#3/0 AWG-800 kcmil	500 LB-IN
LOAD	H56732	5/16"	(2)#6 AWG-350 kcmil	275 LB-IN
NEUTRAL	H60162	1/2"	#4 AWG-600 kcmil (2)#1/0 AWG-250 kcmil	500 LB-IN
NEUTRAL	H56476	1/2"	#3/0 AWG-800 kcmil	500 LB-IN
NEUTRAL	H56732	5/16"	(2)#6 AWG-350 kcmil	275 LB-IN
GROUND*	67554A		#14 - 2/0 AWG	50 LB-IN

\* indicates factory installed connectors



**TALON**  
Meter Socket

Description:  
**320A Cont, 7 Jaw, HQ7D, 600V AC,  
Painted G90 STEEL**