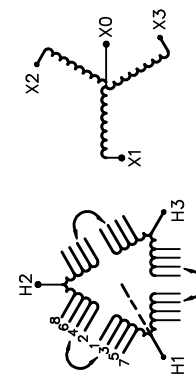


REVISION	DATE	BY	DATE	BY
			17/01/17	RM
1 ADDED ENCL BOTTOM DRAWING	17/04/03	JW		

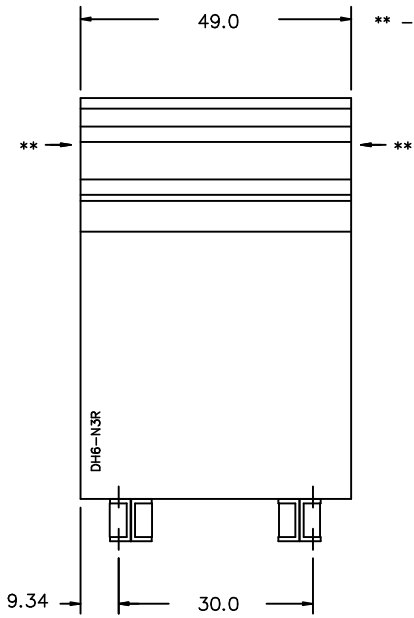
Siemens Industry, Inc.		
CUSTOMER		
ORDER NO.	DWG. NO.	1
	3F3Y750K13CD16	SH 1 OF 3

# SIEMENS

CATALOG NO. 3F3Y750K13CD16 SERIAL NO. SERIES H 750 kVA 60 Hz 3 PHASE 4.3 % IMP AT 170 °C			
150 °C RISE	30 °C AVG. AMBIENT	VOLTS	CONNECT
220 °C TEMP CLASS	40 °C MAX. AMBIENT	504	1-2
PRIMARY ( H1 H2 H3 )	480 V 10 kV BIL	492	2-3
SECONDARY( X0 X1 X2 X3 )	208Y/120 V 10 kV BIL	480	3-4
WINDING MATERIAL	CU	468	4-5
ENCLOSURE TYPE 3R	WEIGHT 4700LBS	456	5-6
ENERGY EFFICIENCY EXCEEDS CSA C802.2-2012	DOE 10 CFR PART 431:2016	444	6-7
SPACINGS BETWEEN ANY VENTILATED ENCLOSURE PANEL AND ANY ADJACENT WALL SHALL BE A MINIMUM OF 12 INCHES ELECTROSTATIC SHIELD			
SUITABLE FOR NONSINUSOIDAL CURRENT LOAD WITH K-FACTOR NOT TO EXCEED K-13 SUITABLE FOR INDOOR OR OUTDOOR LOCATIONS BEFORE HANDLING, INSTALLING AND OPERATING, SEE INSTRUCTION MANUAL			
NEMA Class ANN Dry Type Transformer		Siemens Industry, Inc. Norcross, GA <small>dsu0087e</small>	

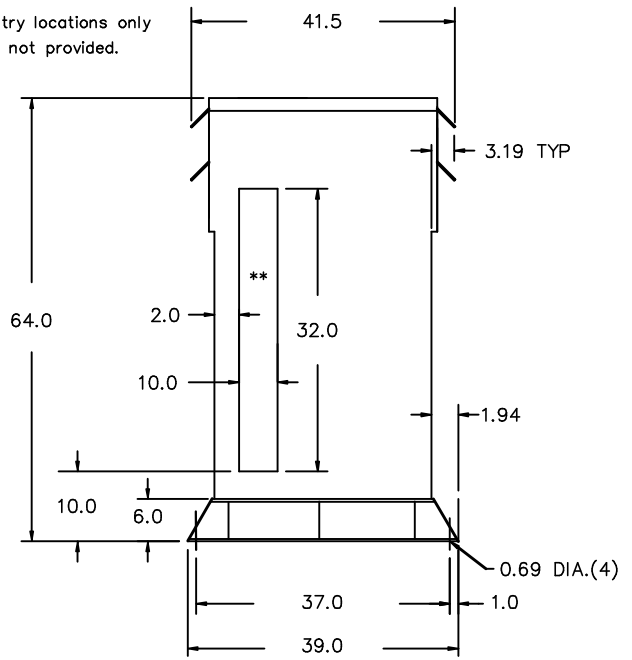


FRONT VIEW



\*\* - Recommended cable entry locations only  
cutouts & gland plates not provided.

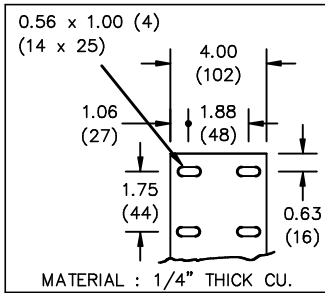
SIDE VIEW



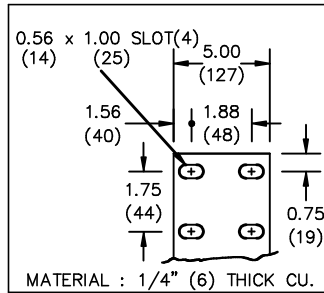
All Dimensions in inches

ENCLOSURE COLOR : ANSI 61 GREY - OUTDOOR

H.V.1. TERMINAL DETAIL



L.V.1. TERMINAL DETAIL



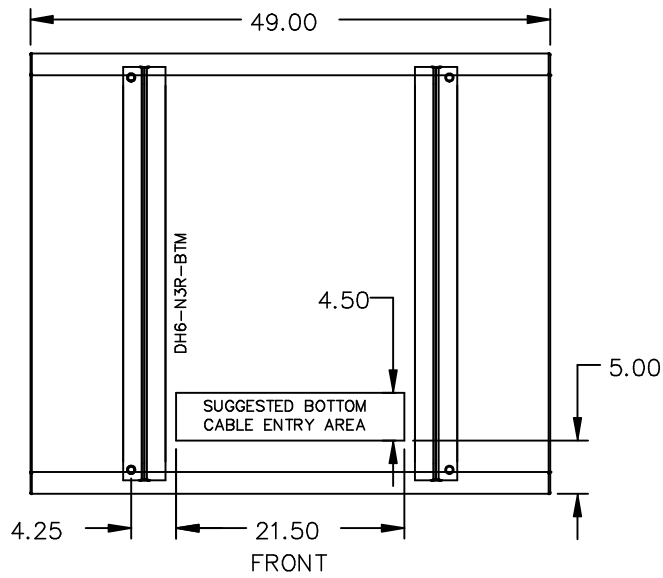
CUSTOMER NOTES:

- HV1 TERMINATED AT TOP FRONT
- LV1 TERMINATED AT BOTTOM FRONT

Siemens Industry, Inc.

REVISION	DATE	BY	DATE	BY	CUSTOMER
			17/01/17	RM	
			CHEK'D		
1	17/04/03	JW	VERIF'D		
ORDER NO.		DWG. NO.		1	
		3F3Y750K13CD16		SH 2 OF 3	

ENCLOSURE BOTTOM VIEW



NOTE:  
 WHEN BOTTOM CABLE ENTRY IS OPTED, THE SPACE USED FOR CONDUITS IN THE FRONT OF THE TRANSFORMER SHOULD NOT OBSTRUCT MORE THAN 50% OF THE FRONT AIR INTAKE AREA DEFINED BETWEEN THE BOTTOM PLATE AND THE SUPPORTING LEGS.  
 SEE MANUAL FOR ADDITIONAL INFORMATION

Siemens Industry, Inc.

REVISION	DATE	BY	DATE	BY	CUSTOMER
			DRAWN 17/01/17	RM	ORDER NO. DWG. NO. 1 3F3Y750K13CD16 SH 3 OF 3
			CHEK'D		
1	ADDED ENCL BOTTOM DRAWING 17/04/03	JW	VERIF'D		