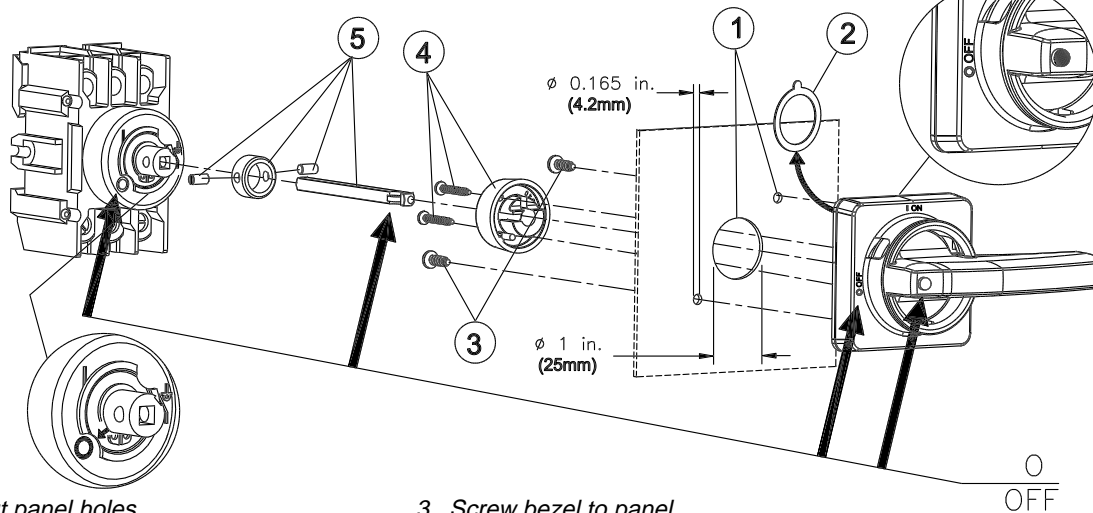


SIEMENS

LBRH 9:
Pistol Grip Handle,
Kit, Black, I/On & O/Off

LBRH10:
Pistol Grip Handle,
Kit, Red/Yel, I/On & O/Off



1. Cut panel holes

2. Remove paper cover from gasket

3. Screw bezel to panel

4. Attach shaft guide collar to bezel

5. Mount shaft & shaft retaining collar

Instruction numbers correspond with the numbers in the drawing above.

1. Align assembly and cut panel holes.

The center of the through-panel hole for the bezel and handle nipples must align within 2mm (5/64 inch) of the center of the shaft cavity in the switch nipple. An adhesive-backed transparent plastic template is provided in the handle kit to assist in proper placement of holes, as shown below. Note that if a 4.2mm bit is not available, a 5/32 inch (0.156") will provide a suitable but tight hole, and 11/64 inch (0.171") will provide a suitable but loose tolerance hole.

Note that the panel holes are a symmetrical pattern, so it is possible to install the handle kit up-side-down. Before the adhesive template is removed, note or mark the I/ON and O/OFF orientation of the handle. When hole cutting is completed, remove the adhesive template (if used). Deburr hole edges if necessary, and clean the panel area around the holes of all dirt, oil, residual adhesive and grease.

2. Remove paper cover from adhesive gasket.

The adhesive gasket is supplied already adhered in place to the back of the bezel. The cover is colored so it can be easily distinguished from the white gasket. Do not pull on the gasket itself. This gasket is essential to environment sealing.

3. Screw bezel to panel.

Carefully align bezel as shown, with I at the top and O at the left, on the outside of the panel, door or cover. Press the bezel to the panel until the gasket adheres to the panel.

From the back of the panel, door or cover, insert the shorter screws with larger head into the two small panel holes. While holding or supporting the handle/bezel assembly (so force on the screwdriver does not lift the bezel or adhesive gasket off the panel) use #2 Phillips screwdriver to tighten the screws until the bezel is pulled against the panel.

4. Attach shaft guide collar to bezel.

From the back of the panel, door or cover, insert the guide pin of the shaft guide collar into the larger of the three holes in the rim of the bezel nipple (the hole in the lower right side). Align the other two holes in the bezel nipple rim with the screw holes in the shaft guide collar. Insert the remaining screws and tighten snugly with #1 Phillips driver. Do not overtighten.

Snap the small plug into the hole in the right side of the bezel

This completes the handle installation. If the extended actuation shaft and its

