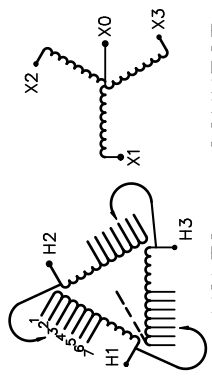




REVISION	DATE	BY	DATE	BY
		DRAWN	16/03/11	PP
		CHEK'D		
		VERIF'D		

Confidential - Property of
Siemens Industry, Inc.

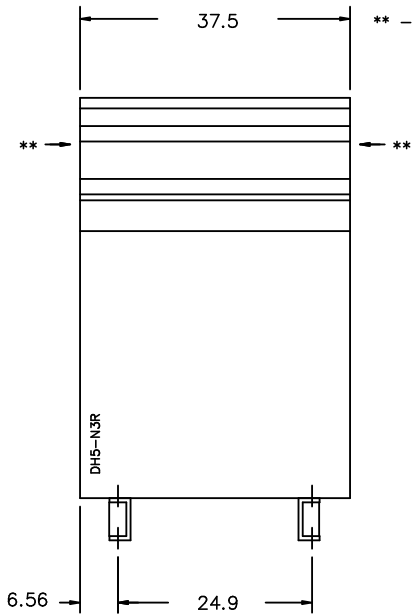
CUSTOMER	ORDER NO.	DWG. NO.	
		3F3Y225FD16BA	SH 1 OF 2

SIEMENS

CATALOG NO. 3F3Y225FD16BA SERIAL NO. SERIES H 225 kVA 60 Hz 3 PHASE 6 % IMP AT 135 °C			
115 °C RISE	30 °C AVG. AMBIENT	VOLTS CONNECT	
220 °C TEMP CLASS	40 °C MAX. AMBIENT	1	504
PRIMARY (H1 H2 H3)	480V V 10 kV BIL	2	492
SECONDARY(X0 X1 X2 X3)	208Y/120V V 10 kV BIL	3	480
WINDING MATERIAL	AL	4	468
ENCLOSURE TYPE	3R WEIGHT 1600 LBS	5	456
ENERGY EFFICIENCY	EXCEEDS CSA C802.2-2012 DOE 10 CFR PART 431:2016	6	444
SPACINGS BETWEEN ANY VENTILATED ENCLOSURE PANEL AND ANY ADJACENT WALL SHALL BE A MINIMUM OF 5 INCHES EXCEPT WHEN WALL MOUNTED USING APPROVED WALL MOUNTING KIT		7	432
SUITABLE FOR INDOOR OR OUTDOOR LOCATIONS BEFORE HANDLING, INSTALLING AND OPERATING; SEE INSTRUCTION MANUAL NEMA Class ANN Dry Type Transformer Siemens Industry, Inc. Norcross, GA dsu0086e		TYPE K DR. TYPE TRANSFORMER 77UL E112313 LR 3902  LISTED  SEISMIC QUALIFICATIONS, FLOOR MOUNT ONLY OSP-0136-10 IBC 2012/ASCE 7-10 SDS<=2.0g z/h=1 p=1.5	

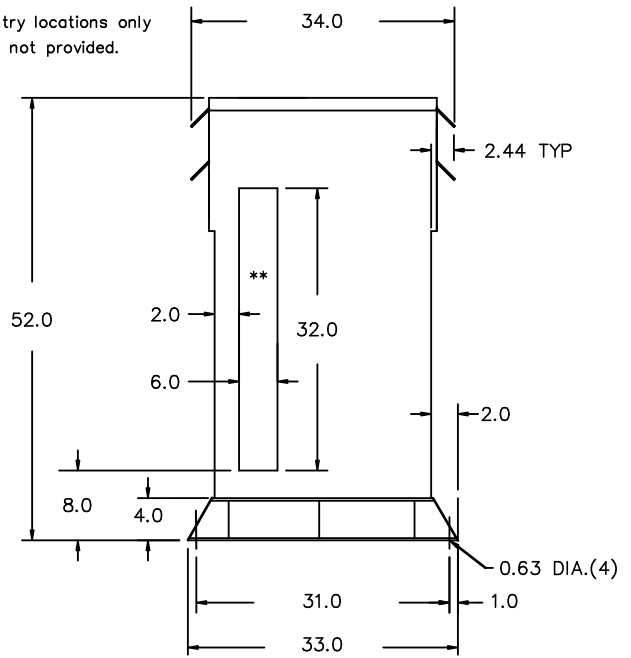


FRONT VIEW



** - Recommended cable entry locations only
cutouts & gland plates not provided.

SIDE VIEW



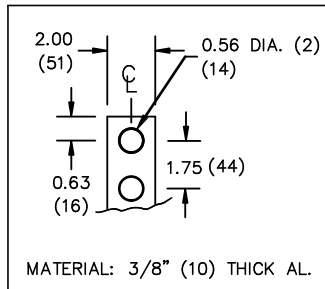
All Dimensions in inches

ENCLOSURE COLOR : ANSI 61 GREY - OUTDOOR

H.V.1. TERMINAL DETAIL

L.V.1. TERMINAL DETAIL

MECHANICAL TYPE LUGS INCLUDED
SUITABLE FOR 350MCM-6 CU/AL
CONDUCTORS
2 CONDUCTORS PER PHASE



CUSTOMER NOTES:

- HV1 TERMINATED AT TOP FRONT
- LV1 TERMINATED AT BOTTOM FRONT

Confidential - Property of
Siemens Industry, Inc.

REVISION	DATE	BY	DATE	BY
		DRAWN	16/03/11	PP
		CHEK'D		
		VERIF'D		

CUSTOMER	
ORDER NO.	DWG. NO. 3F3Y225FD16BA
SH 2 OF 2	