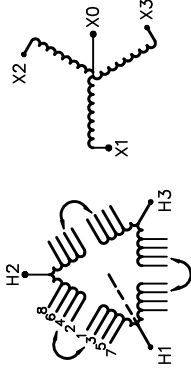




REVISION	DATE	BY	DATE	BY
		DRAWN	17/06/13	RM
		CHEK'D		
		VERIF'D		

Siemens Industry, Inc.	
CUSTOMER	
ORDER NO.	DWG. NO.
	3F3Y500ESD16
	SH 1 OF 3

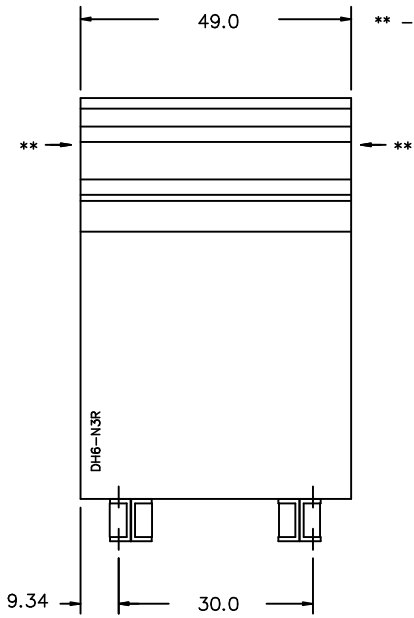
# SIEMENS

CATALOG NO. 3F3Y500ESD16 SERIAL NO. SERIES H 500 kVA 60 Hz 3 PHASE 5.1 % IMP AT 170 °C			
150 °C RISE 30 °C AVG. AMBIENT 220 °C TEMP CLASS 40 °C MAX. AMBIENT PRIMARY ( H1 H2 H3 ) 480 V 10 kV BIL SECONDARY( X0 X1 X2 X3 ) 208Y/120 V 10 kV BIL		VOLTS 504 492 480 468 456 444 432	
WINDING MATERIAL AL ENCLOSURE TYPE 3R WEIGHT 2950LBS ENERGY EFFICIENCY EXCEEDS CSA C802.2-2012 DOE 10 CFR PART 431:2016		CONNECT 1-2 2-3 3-4 4-5 5-6 6-7 7-8	
SPACINGS BETWEEN ANY VENTILATED ENCLOSURE PANEL AND ANY ADJACENT WALL SHALL BE A MINIMUM OF 12 INCHES ELECTROSTATIC SHIELD		TYPE K  LISTED  LR 3902 DRY TYPE TRANSFORMER E112313	
SUITABLE FOR INDOOR OR OUTDOOR LOCATIONS BEFORE HANDLING, INSTALLING AND OPERATING, SEE INSTRUCTION MANUAL NEMA Class ANN Dry Type Transformer Siemens Industry, Inc. Norcross, GA <small>dsu0086e</small>		SEISMIC QUALIFICATIONS, FLOOR MOUNT ONLY OSP-0136-10 IBC 2012/ASCE 7-10 SDS<=2.0g Z/h=1 Ip=1.5	



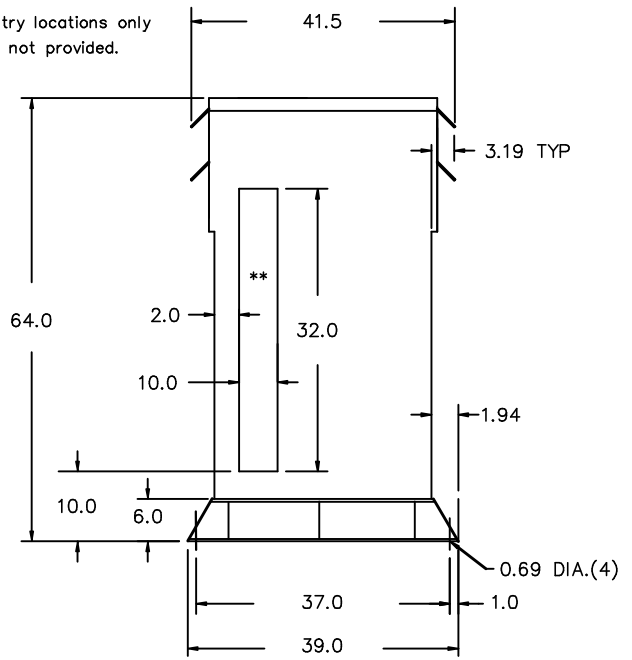
3F3Y500ESD16

FRONT VIEW



\*\* - Recommended cable entry locations only  
cutouts & gland plates not provided.

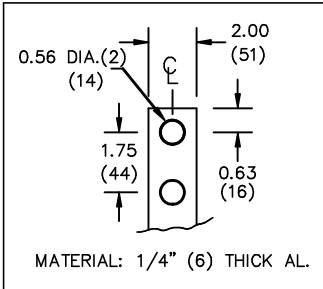
SIDE VIEW



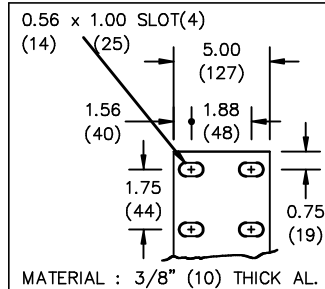
All Dimensions in inches

ENCLOSURE COLOR : ANSI 61 GREY - OUTDOOR

HV TERMINAL DETAIL



LV TERMINAL DETAIL



CUSTOMER NOTES:

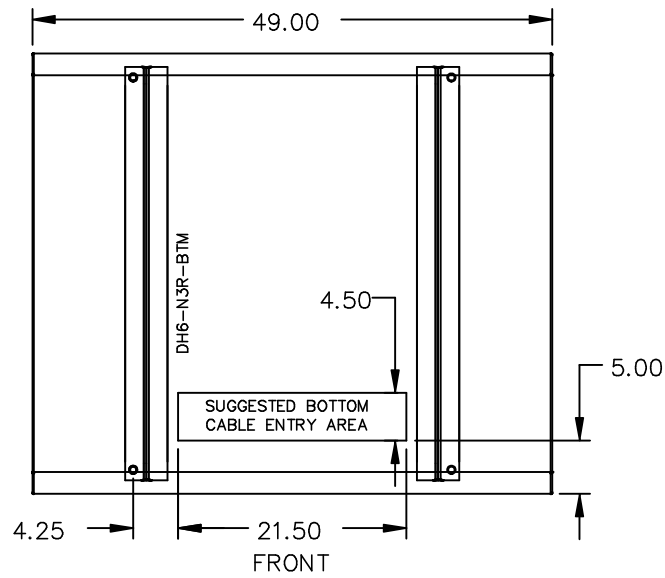
- HV TERMINATED AT TOP FRONT
- LV TERMINATED AT BOTTOM FRONT

Siemens Industry, Inc.

REVISION	DATE	BY	DATE	BY
			17/06/13	RM

CUSTOMER	
ORDER NO.	DWG. NO.
	3F3Y500ESD16
	SH 2 OF 3

ENCLOSURE BOTTOM VIEW



NOTE:  
 WHEN BOTTOM CABLE ENTRY IS OPTED, THE SPACE USED FOR CONDUITS IN THE FRONT OF THE TRANSFORMER SHOULD NOT OBSTRUCT MORE THAN 50% OF THE FRONT AIR INTAKE AREA DEFINED BETWEEN THE BOTTOM PLATE AND THE SUPPORTING LEGS.  
 SEE MANUAL FOR ADDITIONAL INFORMATION

Siemens Industry, Inc.

REVISION	DATE	BY	DATE	BY
			17/06/13	RM

CUSTOMER	
ORDER NO.	DWG. NO. 3F3Y500ESD16
	SH 3 OF 3