

REVISION	DATE	BY	DATE	BY
1	12/09/12	RM	07/08/02	RB

Siemens Industry, Inc.
Building Technologies Division

CUSTOMER

ORDER NO. 1D1Y100CTP1
DWG. NO. 1D1Y100CTP1
SH 1 OF 2

SIEMENS

CATALOG NO. 1D1Y100CTP1
SERIAL NO.
100 kVA 60 Hz 1 PHASE
4.5 % IMP AT 170 °C

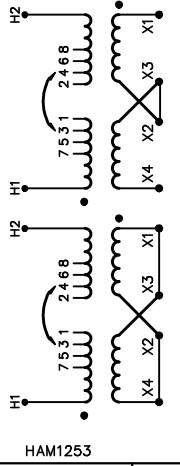
150 °C RISE 30 °C AVG. AMBIENT
220 °C TEMP CLASS 40 °C MAX. AMBIENT
PRIMARY (H1 H2) 240X480V V
SECONDARY(X4 X2 X3 X1) 120/240V V

WINDING MATERIAL CU
ENCLOSURE TYPE NEMA-3R WEIGHT 895LBS
ENERGY EFFICIENCY CSA C802.2-00 NEMA TP 1-2002

SPACINGS BETWEEN ENCLOSURE AND ANY ADJACENT WALL SHALL BE A MINIMUM OF 5 INCHES
LISTED DISTRIBUTION TYPE F TRANSFORMER 77US
UL F LR 3902
E112313

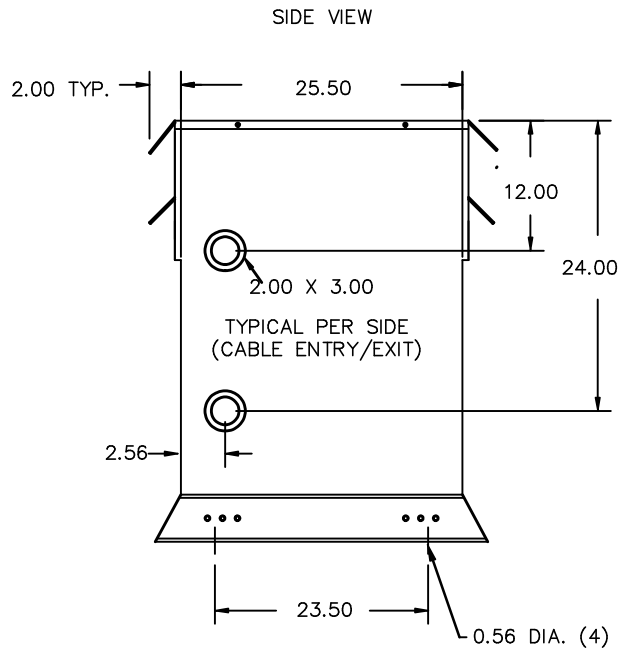
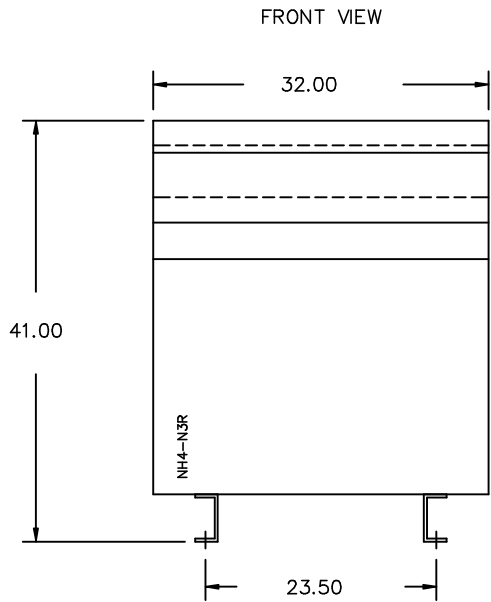
SUITABLE FOR INDOOR OR OUTDOOR LOCATIONS
DO NOT INSTALL IN AREAS ACCESSIBLE TO PUBLIC
NE PAS INSTALLER DANS DES ENDROITS ACCESSIBLES AU PUBLIC
FOR INSTALLATION SEE INSTRUCTION MANUAL

NEMA Class ANN Dry Type Transformer Siemens Industry, Inc. Norcross, GA



VOLTS	CURRENT	%RATED VOLTAGE	CONNECTION EACH PHASE
504	198	105	1-2
492	203	102.5	2-3
480	208	100	3-4
468	214	97.5	4-5
456	219	95	5-6
444	225	92.5	6-7
432	231	90	7-8
240	416		H1-4,H2-3
228	438		H1-6,H2-5
216	463		H1-8,H2-7





All Dimensions in inches

ENCLOSURE COLOR :ANSI 61 GREY – OUTDOOR

CUSTOMER NOTES:

- HV1 TERMINATED AT TOP FRONT
- LV1 TERMINATED AT BOTTOM FRONT

Siemens Industry, Inc.
Building Technologies Division

REVISION	DATE	BY	DATE	BY
			07/08/02	RB
1	12/09/12	RM		

CUSTOMER		
ORDER NO.	DWG. NO.	1
	1D1Y100CTP1	SH 2 OF 2

1.4 rbratla 2014/02/10 08:43