



Non-Metallic Type 4X  
Heavy Duty Safety Switches



# product GUIDE



**SIEMENS**

Global network of innovation

Siemens Type VBII Non-Metallic safety switches are ideal for heavy duty industrial applications. All catalog numbers utilize a fiberglass reinforced polyester enclosure that is resistant to a wide range of corrosive atmospheres. A continuous memory retaining gasket keeps the enclosure's interior free from dust, oil and moisture and the superior thermal insulating properties of fiberglass virtually eliminate problems caused by internal condensation.

These switches also utilize a quick make-quick break visible blade construction.

#### Features

- 30, 60, 100 and 200 Ampere Switches
- 240 and 600 Volts Fusible
- 600 Volts Non-Fusible
- Rated 10,000 AIC with Class H Fuses
- Rated 200,000 AIC with Class J or R Fuses
- UL Listed under File E4776
- Horsepower Rated
- Suitable for use as Service Equipment

- Quick Make – Quick Break Mechanism
- Visible Blade, Double Break Construction
- Padlock – Off Handle Feature
- Field Installable Auxiliary Contacts
- Field Replaceable Line and Load Bases
- Ground Lug as Standard
- Clear, Hinged Line Shield
- Neutrals Installed as Standard on Fusible Switches



#### Ordering Information (Discount Schedule A, Product Class 384)

System	Ampere Rating	Catalog Number	Horsepower Ratings								List Price Each \$	Shipping Weight Lbs.
			240 Volts - 3 Phase		480 Volts - 3 Phase		600 Volts - 3 Phase		250 VDC	600 VDC		
			Std	Max	Std	Max	Std	Max				
<b>3 Pole, 4 Wire 240V AC Fusible ①</b>												
	30	HF321NX	3	7½	—	—	—	—	5	—	2441	21
	60	HF322NX	7½	15	—	—	—	—	10	—	2642	21
<b>3 Pole, 4 Wire 600V AC Fusible ②</b>												
	30	HF361NX	3	7½	5	15	7½	20	5	—	2714	21
	30	HF361NXL ③	3	7½	5	15	7½	20	5	—	2714	21
	60	HF362NX	7½	15	15	30	15	50	10	25	2974	21
	60	HF362NXL ③	7½	15	15	30	15	50	10	25	2974	21
	100	HF363NX	15	30	25	60	30	75	20	25	5730	39
	100	HF363NXL ③	15	30	25	60	30	75	20	25	5730	39
	200	HF364NX	25	60	50	125	60	150	40	50	7290	83
200	HF364NXL ③	25	60	50	125	60	150	40	50	7290	83	
<b>3 Pole, 4 Wire 600V AC Non-Fusible ②</b>												
	30	HNF361X	—	10	—	20	—	30	5	—	2298	20
	30	HNF361XL ③	—	10	—	20	—	30	5	—	2298	20
	60	HNF362X	—	20	—	50	—	60	10	25	2579	20
	60	HNF362XL ③	—	20	—	50	—	60	10	25	2579	20
	100	HNF363X	—	40	—	75	—	100	20	25	4950	25
	100	HNF363XL ③	—	40	—	75	—	100	20	25	4950	25
	200	HNF364X	—	60	—	125	—	150	40	50	6989	81
200	HNF364XL ③	—	60	—	125	—	150	40	50	6989	81	

#### Lug Wire Ranges ③ ④

30 and 60A switches are suitable for use with 60° or 75°C wire.  
100 and 200A switches are suitable for use with 75° wire.

Switch Ampere Rating	Wire Range With Wire Bending Space Per NEC Table 373-6(b)	Line, Load and Neutral Lug Wire Range
30	#14-4 AWG (Cu/Al)	#14-2 AWG (Cu/Al)
60	#14-3 AWG (Cu/Al)	#14-2 AWG (Cu/Al)
100	#14-1/0 AWG (Cu/Al)	#14-1/0 AWG (Cu/Al)
200	#6-300 Kcmil (Cu/Al)	#6 AWG - 300 Kcmil (Cu/Al)

#### Accessories

Description	Location in SPEEDFAX
Class R Fuse Clip Kits	Page 3-14
Class T Fuse Adapter Kits	Page 3-14
Auxiliary Contacts	Page 3-15
Fuse Puller Kits	Page 3-15
Copper Lug Kits	Page 3-16
Type 4/4X Hubs	Page 3-17

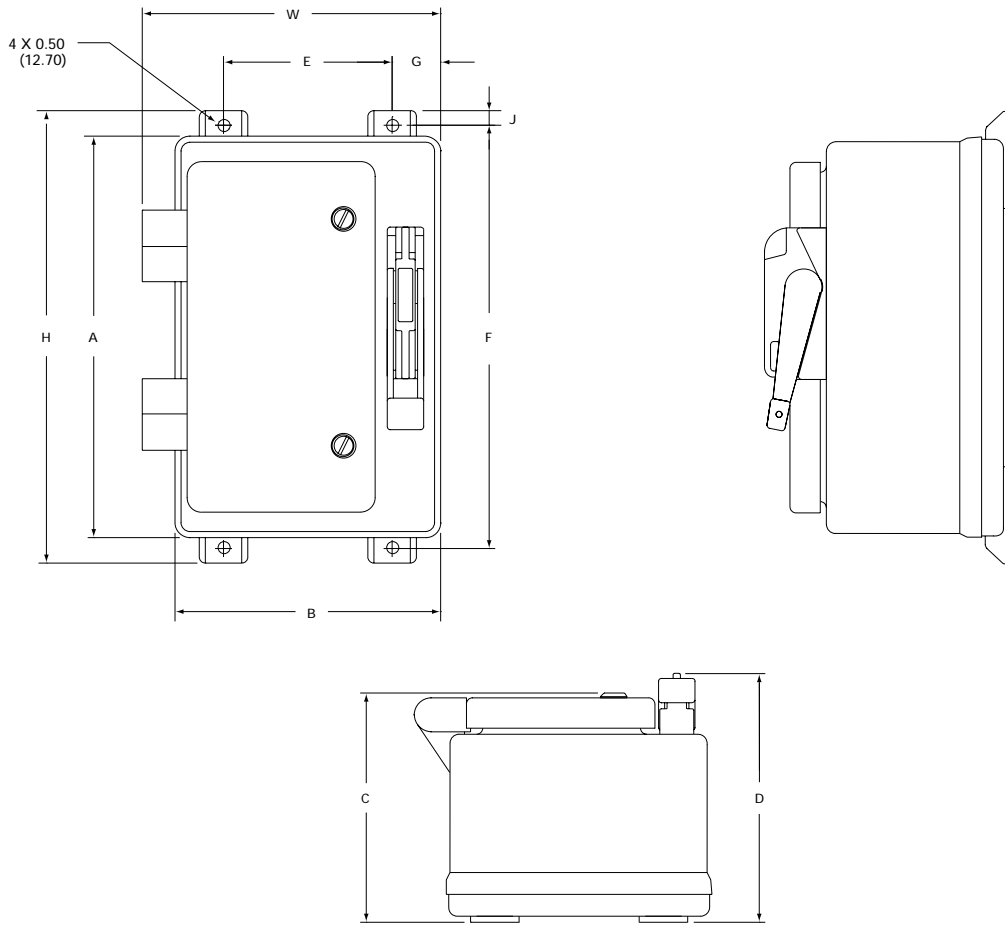
① Also rated 250V DC.

② 60 - 200A switches are also rated 600V DC.

③ Line and load lugs omitted on switches with "L" suffix. Provided with mounting hardware for crimp type or copper body lugs.


④ Ground lugs for #14-4 AWG (Cu/Al) conductors are provided factory installed in all switches.

Dimension Drawing ① ② ③



- ① Dimensions shown are in inches and millimeters ( ).
- ② Dimensions accurate to  $\pm \frac{1}{16}$  inch.
- ③ Enclosure is constructed of fiberglass reinforced polyster with non-metallic hinges and cover latches. Finish – gray.

Catalog Number	Ampere Rating	Enclosure						Mounting			
		H	W	D	A	B	C	E	F	G	J
<b>3 Pole, 4 Wire 240V AC Fusible</b>											
HF321NX	30	18.75 (476.25)	11.82 (300.23)	10.25 (260.35)	16.59 (421.39)	10.97 (278.64)	9.20 (233.68)	7.00 (177.8)	17.50 (444.50)	1.98 (50.29)	.63 (16.01)
HF322NX	60	18.75 (476.25)	11.82 (300.23)	10.25 (260.35)	16.59 (421.39)	10.97 (278.64)	9.20 (233.68)	7.00 (177.8)	17.50 (444.50)	1.98 (50.29)	.63 (16.01)
<b>3 Pole, 4 Wire 600V AC Fusible</b>											
HF361NX	30	18.75 (476.25)	11.82 (300.23)	10.25 (260.35)	16.59 (421.39)	10.97 (278.64)	9.20 (233.68)	7.00 (177.8)	17.50 (444.50)	1.98 (50.29)	.63 (16.01)
HF361NXL											
HF362NX	60	18.75 (476.25)	11.82 (300.23)	10.25 (260.35)	16.59 (421.39)	10.97 (278.64)	9.20 (233.68)	7.00 (177.8)	17.50 (444.50)	1.98 (50.29)	.63 (16.01)
HF362NXL											
HF363NX	100	26.95 (684.53)	14.53 (369.07)	13.25 (336.55)	24.84 (630.94)	13.72 (348.49)	12.15 (308.61)	6.25 (158.75)	25.75 (654.05)	3.74 (94.10)	.59 (14.99)
HF363NXL											
HF364NX	200	33.41 (848.61)	27.19 (690.63)	13.19 (335.03)	31.31 (795.27)	26.31 (668.27)	12.10 (307.34)	18.50 (469.9)	32.25 (819.15)	3.91 (99.31)	.58 (14.74)
HF364NXL											
<b>3 Pole, 4 Wire 600V AC Non-Fusible</b>											
HNF361X	30	18.75 (476.25)	11.82 (300.23)	10.25 (260.35)	16.59 (421.39)	10.97 (278.64)	9.20 (233.68)	7.00 (177.8)	17.50 (444.50)	1.98 (50.29)	.63 (16.01)
HNF361XL											
HNF362X	60	18.75 (476.25)	11.82 (300.23)	10.25 (260.35)	16.59 (421.39)	10.97 (278.64)	9.20 (233.68)	7.00 (177.8)	17.50 (444.50)	1.98 (50.29)	.63 (16.01)
HNF362XL											
HNF363X	100	26.95 (684.53)	14.53 (369.07)	13.25 (336.55)	24.84 (630.94)	13.72 (348.49)	12.15 (308.61)	6.25 (158.75)	25.75 (654.05)	3.74 (94.01)	.59 (14.99)
HNF363XL											
HNF364X	200	33.41 (848.61)	27.19 (690.63)	13.19 (335.03)	31.31 (795.27)	26.31 (668.27)	12.10 (307.34)	18.50 (469.9)	32.25 (819.15)	3.91 (99.31)	.58 (14.74)
HNF364XL											



**Siemens Energy & Automation, Inc.**

3333 Old Milton Parkway  
Alpharetta, GA 30005

**1-800-964-4114**

seainfo@sea.siemens.com

**[www.sea.siemens.com/power](http://www.sea.siemens.com/power)**

© 2003 Siemens Energy & Automation, Inc. All Rights Reserved

Siemens is a registered trademarks of Siemens AG. Product names mentioned may be trademarks or registered trademarks of their respective companies. Specifications are subject to change without notice.