

Features and Ratings

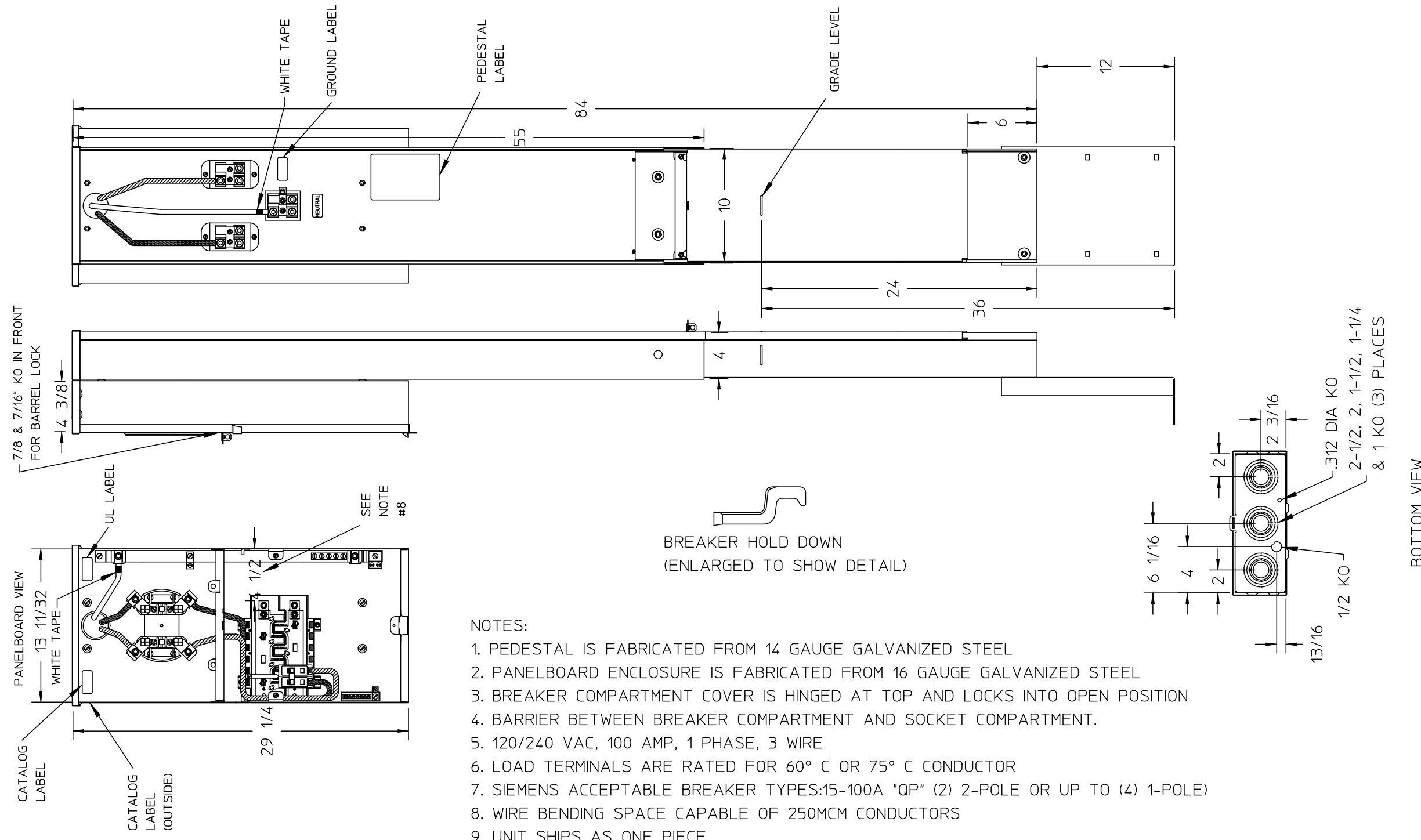
- Unit Rating: 100A Max., 120/240VAC
- Meter Socket Rating: 200A Continuous
- Ringless Type Meter Socket
- Outdoor Enclosure (NEMA Type 3R)
- Painted G90 Steel
- 1 Phase, 3 Wire
- 4 Jaw Meter Socket
- For Underground Service Only

Accessories

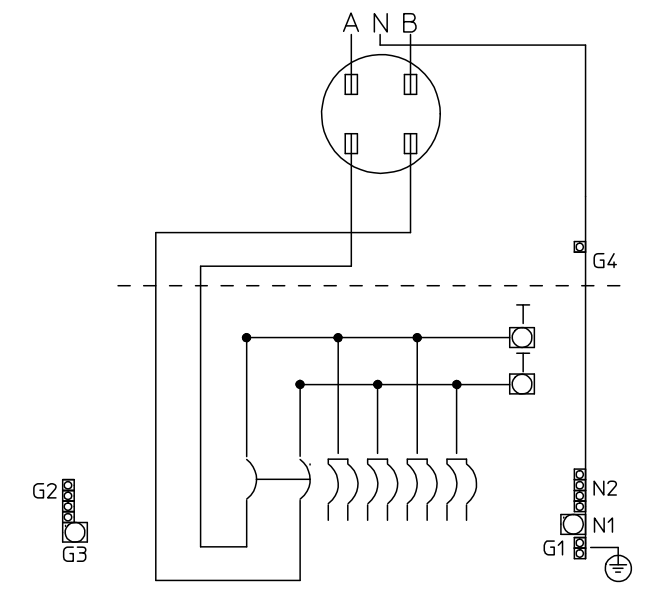
- Pad Mount Kit:
Cat No: MPFLANGE
- Pedestal Extension:
Cat No: MPEXT
- Filler Plate:
Cat No: ECQF3

Connectors, Wire Sizes and Torques

CONNECTOR	WIRE SIZE	TORQUE
A, B, N	#6 - #1 AWG	75 LB. IN.
	1/0 - 350 KCMIL	275 LB. IN.
FEED-THRU T*	300 KCMIL-4 AWG	275 LB. IN.
LARGE LOAD NEUTRAL N1	#6 - 250 KCMIL	275 LB. IN.
SMALL LOAD NEUTRAL N2	#14 - 1/0 AWG	50 LB. IN.
GROUND G1	#14 - 1/0 AWG	50 LB. IN.
EQUIP GROUND G2	#14 - 4 AWG	50 LB. IN.
EQUIP GROUND G3	#14 - 2 AWG	50 LB. IN.
GROUND G4	#14 - 2/0 AWG	50 LB. IN.
BRANCH BREAKER	SEE MARKINGS ON BREAKER	



- NOTES:
1. PEDESTAL IS FABRICATED FROM 14 GAUGE GALVANIZED STEEL
 2. PANELBOARD ENCLOSURE IS FABRICATED FROM 16 GAUGE GALVANIZED STEEL
 3. BREAKER COMPARTMENT COVER IS HINGED AT TOP AND LOCKS INTO OPEN POSITION
 4. BARRIER BETWEEN BREAKER COMPARTMENT AND SOCKET COMPARTMENT.
 5. 120/240 VAC, 100 AMP, 1 PHASE, 3 WIRE
 6. LOAD TERMINALS ARE RATED FOR 60° C OR 75° C CONDUCTOR
 7. SIEMENS ACCEPTABLE BREAKER TYPES:15-100A "QP" (2) 2-POLE OR UP TO (4) 1-POLE)
 8. WIRE BENDING SPACE CAPABLE OF 250MCM CONDUCTORS
 9. UNIT SHIPS AS ONE PIECE



© 2015 Copyright Siemens Industry, Inc.

TALON

MOBILE HOME PEDESTAL

Description:
1 SKT/BKR/PED 100A 1P MAIN

CH 6/30/15 | DO NOT SCALE DRAWING | Dwg No: MPS0406B1100R