

# Type HEM Circuit Breakers

## EG Frame, Magnetic Only, Motor Circuit Protector

Approvals: UL, CSA, IEC, CE Marked

600Y/347 Vac Maximum, 250Vdc Maximum

### Ratings and Markings

Poles	Current Range (A)
3	3 – 100

### Terminal Connectors

#### Lug Information

Breaker Amp Rating (A)	Wire Size (AWG)	Torque (lb.-in.)	Connector Material	Connector Kit Catalog No.
15 – 125	14 – 10 AWG	35	Steel (Cu wire Only)	<b>3TW1EG30 (kit of 3)</b>
	8 AWG	40		
	6 – 4 AWG	45		
	3 – 3/0 AWG	50	Aluminum (Cu/Al wire)	<b>3TA1EG10 (kit of 3)</b>
	14 – 10 AWG	35		
	8 AWG	40		
6 – 4 AWG	45	Aluminum (Cu/Al wire)	<b>3TA1EG30 (kit of 3)</b>	
3 – 1/0 AWG	50			
	6 – 2 AWG	80	Aluminum (Cu/Al wire)	<b>3TA1EG30 (kit of 3)</b>
	1 – 3/0 AWG	80		

60/75° C wire ① The standard lug is Catalog Number TW1EG30.



### Ordering Information

#### Type EG – 3 Pole Circuit Breakers

Ampere Rating In	HEM Catalog Number ②	Magnetic Trip Settings ③						MFLC Amperes ④
		A	B	C	D	E	F	
3	HEM3M003L	9	15	21	27	30	33	
		.69 – .91	1.1 – 1.3	1.6 – 1.7	2.0 – 2.2	2.3 – 2.5	2.6 – 2.8	
7	HEM3M007L	21	35	49	63	70	77	
		1.5 – 2.0	2.6 – 3.1	3.7 – 3.9	4.8 – 5.2	5.3 – 5.7	5.8 – 6.1	
15	HEM3M015L	45	75	100	135	150	165	
		3.4 – 4.5	5.7 – 6.8	8.0 – 9.1	10.4 – 11.4	11.5 – 11.4	12.7 – 13.0	
30	HEM3M030L	90	150	210	270	300	330	
		3.9 – 9.1	1.5 – 13.7	16.1 – 18.3	20.7 – 22.9	23.0 – 25.2	25.3 – 26.1	
50	HEM3M050L	150	250	350	450	500	550	
		11.5 – 15.2	19.2 – 22.9	26.9 – 30.6	34.6 – 38.3	38.4 – 4.1	42.2 – 43.5	
70	HEM3M070L	210	350	490	630	700	770	
		16.1 – 30.6	26.9 – 32.2	37.6 – 42.0	48.4 – 53.7	52.8 – 59.1	59.2 – 60.9	
100	HEM3M100L	300	500	700	900	1000	1100	
		23.0 – 30.6	38.4 – 46.0	53.8 – 61.4	69.2 – 76.8	76.9 – 84.5	84.6 – 87.0	

② "L" Suffix indicates standard terminal lugs TW1EG30 are factory installed on both line and load ends.

③ For Vdc applications, trip levels may be approximately 40% higher than values shown.

④ Motor Full Load Current (MFLC) ranges are typical. The corresponding trip setting is at 13 times the minimum MFLC value shown. Where a 13 times setting is an intermediate MFLC value, an alternate setting and/or different MCP rating should be used.

# Type HEM Circuit Breakers

## EG Frame, Magnetic Only, Motor Circuit Protector

### Shunt Trip

Control Voltage Range		
AC	DC	Catalog Number
24 – 60	24 – 60	<b>STREM60D</b>
110 – 240	—	<b>STRER240</b>
380 – 600	—	<b>STREV600</b>

### Alarm Switch

Description	Catalog Number
Single Alarm Switch 1A – 1B Contacts	<b>ASKE1</b>
Double Alarm Switch 2A – 2B Contacts	<b>ASKE5</b>
Combination Auxiliary Switch & Alarm Switch (1A – 1B each)	<b>ASKE6</b>

### Auxiliary Switch

Description	Catalog Number
Single Auxiliary Switch 1A – 1B Contacts	<b>ASKE2</b>
Double Auxiliary Switch 2A – 2B Contacts	<b>ASKE3</b>

### Auxiliary/Alarm Switch Ratings

AC	DC
6A at 230VAC	6A at 24VDC
3A at 400VAC	0.5A at 125VDC
0.25A at 600VAC	0.25A at 250VDC

### Undervoltage Release

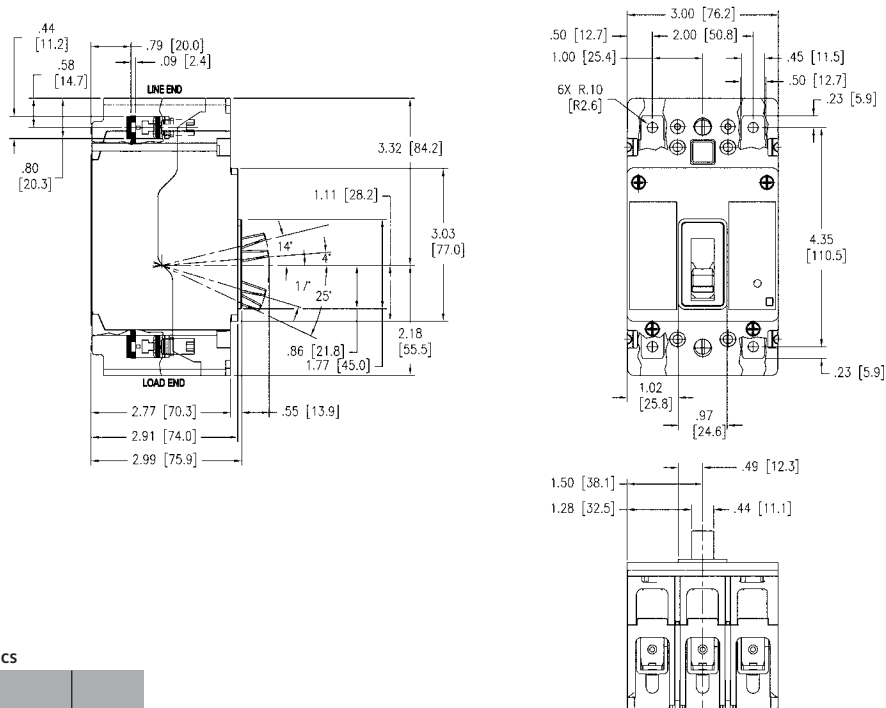
Control Voltage Range		
AC	DC	Catalog Number
24	24	<b>UVREB24AD</b>
48 – 60	—	<b>UVREM60</b>
110 – 127	—	<b>UVREN120</b>
208 – 240	—	<b>UVRER240</b>
380 – 500	—	<b>UVREU480</b>
525 – 600	—	<b>UVREV600</b>
—	48 – 60	<b>UVREC48D</b>
—	110 – 125	<b>UVRED125D</b>
—	220 – 250	<b>UVREE250D</b>

### Available Accessory Combinations

Left Accessory Pocket	Right Accessory Pocket	
Shunt Trip or UVR	Auxiliary Switch Contacts	Alarm Contacts
Maximum 1 Shunt Trip or UVR	1A – 1B	0
	2A – 2B	0
	0	1A – 1B
	0	2A – 2B
	1A – 1B	1A – 1B

Shunt Trip, Undervoltage Release, Auxiliary Switches, and Alarm Switches are internal accessories contained within a field installable module for the EG/EB circuit breakers. A Shunt Trip or UVR can only be installed in the left accessory pocket. The Auxiliary Switches and/or Alarm Switch can only be installed in the right accessory pocket.

### HEM Frame Outline Drawing – 3 Pole



#### Breaker Characteristics

Breaker Frame Size	Height	Width	Depth
3 Pole	5.50 (139.70)	3.00 (76.20)	3.00 (76.20)