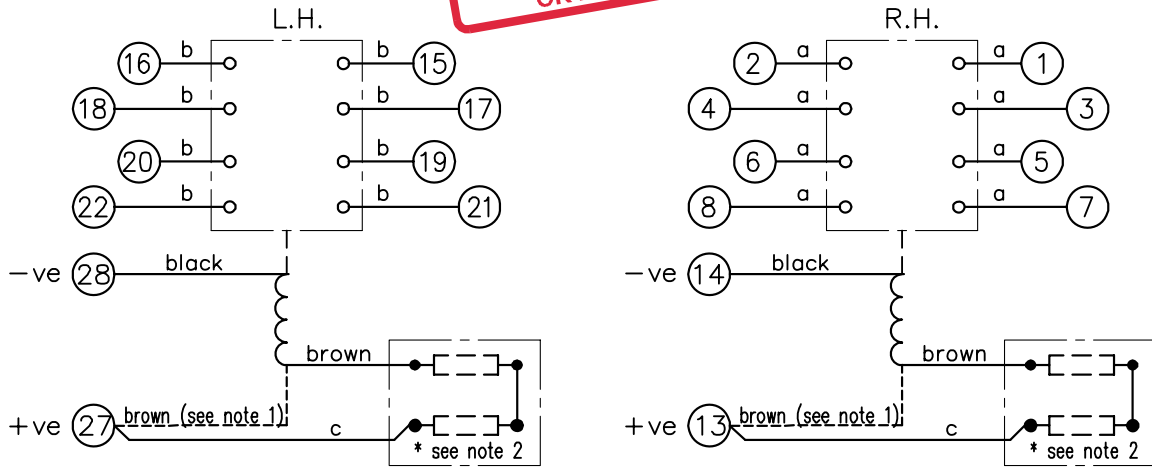


NOT SUBJECT TO UPDATE
ONCE COPIED / PRINTED
OR DOWNLOADED

2112W50099



LOOKING ON FRONT OF RELAY

NOTE:

- RESISTORS ARE NOT REQUIRED ON OTHER VOLTAGE VARIATIONS, DASHED LINE ---- SHOWS CONNECTIONS WHEN RESISTORS ARE NOT FITTED.
- THE AR141T2 125VDC & 240VDC VERSIONS MUST HAVE RESISTOR 2101C21471 FITTED INSTEAD OF THE ONE SPECIFIED ON CHART. SEE RELEVANT B.O.M.
- HEAVY DUTY CONTACTS ARE FITTED WITH BLOWOUT MAGNETS AND ARE POLARITY CONSCIOUS, SEE TABLE FOR +VE TERMINAL.

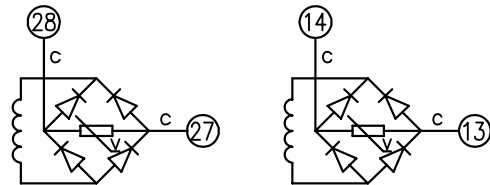
PRINTED ON 31/07/2012
ENSURE CORRECT REVISION
DESTROY AFTER USE

ASSEMBLY WIRES USED

a	2107B10002	8 OFF
b	2107B10003	8 OFF
c	2107D10164	2 OFF

KEY	125	* 2101C21102 ONLY.	NIL.	SEE NOTE 2 *	2112G20328			
	240	* 2101C21102 +EXT. RES.	EXT. RES. ONLY	SEE NOTE 2 *	2112G20328			
	VDC	RES.(T1,T2,T3,T6).	RES.(T4).	REMARKS	COIL			
○ ○	CONTACT CONFIG.		OUTPUT CONTACT PAIR / TERMINAL No.					
⊠	R.H. →		1-3	2-4	5-7	6-8	9-11	10-12
○ ○ ○	L.H. →		15-17	16-18	19-21	20-22	23-25	24-26
⊖	4M	M	M	M	M			
⊖	3M	1B	M	B	M	M		
⊖	2M	2B	B	B	M	M		
⊖	1M	3B	B	B	M	B		
⊖		4B	B	B	B	B		
⊖	4M(HD)	M+	M+	M+	M+			
⊖	3M(HD) 1B(HD)	M+	M+	M+	+B			
⊖	2M(HD) 2M(STD)	M+	M+	M	M			
⊖	2M(HD) 2B(STD)	M+	M+	B	B			

NOTE: WHEN RECTIFIER IS SPECIFIED COIL CONNS. ARE AS SHOWN.



FRAME REFERENCE: E4FE02.

FRAME TERMINAL BLOCK ASSY: -

ASSEMBLY INSTRUCTIONS: -
TYPICAL ASSEMBLY DRAWING 2995G10032.
AT INDICATED POSITIONS FIT AS FOLLOWS:
T - FIT TRIP ISOLATION CONTACT 2995B10053
S - FIT STANDARD CONTACT 2995B10054
SECURE CONTACTS USING FIXING SCREW 2109F99009.
POSITIONS SHOWN BLANK ARE UNUSED

2	T	T	1
4	T	T	3
6	T	T	5
8	T	T	7
10			9
12			11
14	S	S	13
16	T	T	15
18	T	T	17
20	T	T	19
22	T	T	21
24			23
26			25
28	S	S	27

VIEW FROM NUMBERED SIDE OF BLOCK

OUTER TERMINAL BLOCK ASSY: -

ASSEMBLY INSTRUCTIONS: -
TYPICAL ASSEMBLY DRAWING 2995G10029.
AT INDICATED POSITIONS FIT AS FOLLOWS:
S - FIT STANDARD CONTACT 2995B10051
HC - FIT 'HEAVY CURRENT' KIT 2995G10030
WHERE ⊖ ⊖ IS SHOWN FIT CT SHORTING KIT 2995G10031
POSITIONS SHOWN BLANK ARE UNUSED.
ALL POSITIONS FIT SCREW 2106F12506.

2	S	S	1
4	S	S	3
6	S	S	5
8	S	S	7
10			9
12			11
14	S	S	13
16	S	S	15
18	S	S	17
20	S	S	19
22	S	S	21
24			23
26			25
28	S	S	27

VIEW FROM INSIDE FACE

Title: T.B. AND W.D. FOR AR2-1T- 4 CONTACT RELAYS IN EPSILON E4 CASE.			First used on:			
2 RDW 10/07/12 MN11C/3479			Similar Articles:			
1 29/04/99			Supersedes:			
ISSUE DATE MOD.No.			Drg.No.			
Reyrolle Protection Hebburn.			Original Scale.		2112W50099	
DRAWN: A.LAW.	CHECKED:	APPROVED: R.D.WATSON	DATE: 17/07/02			