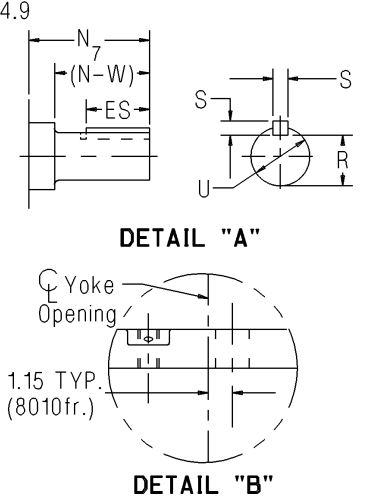
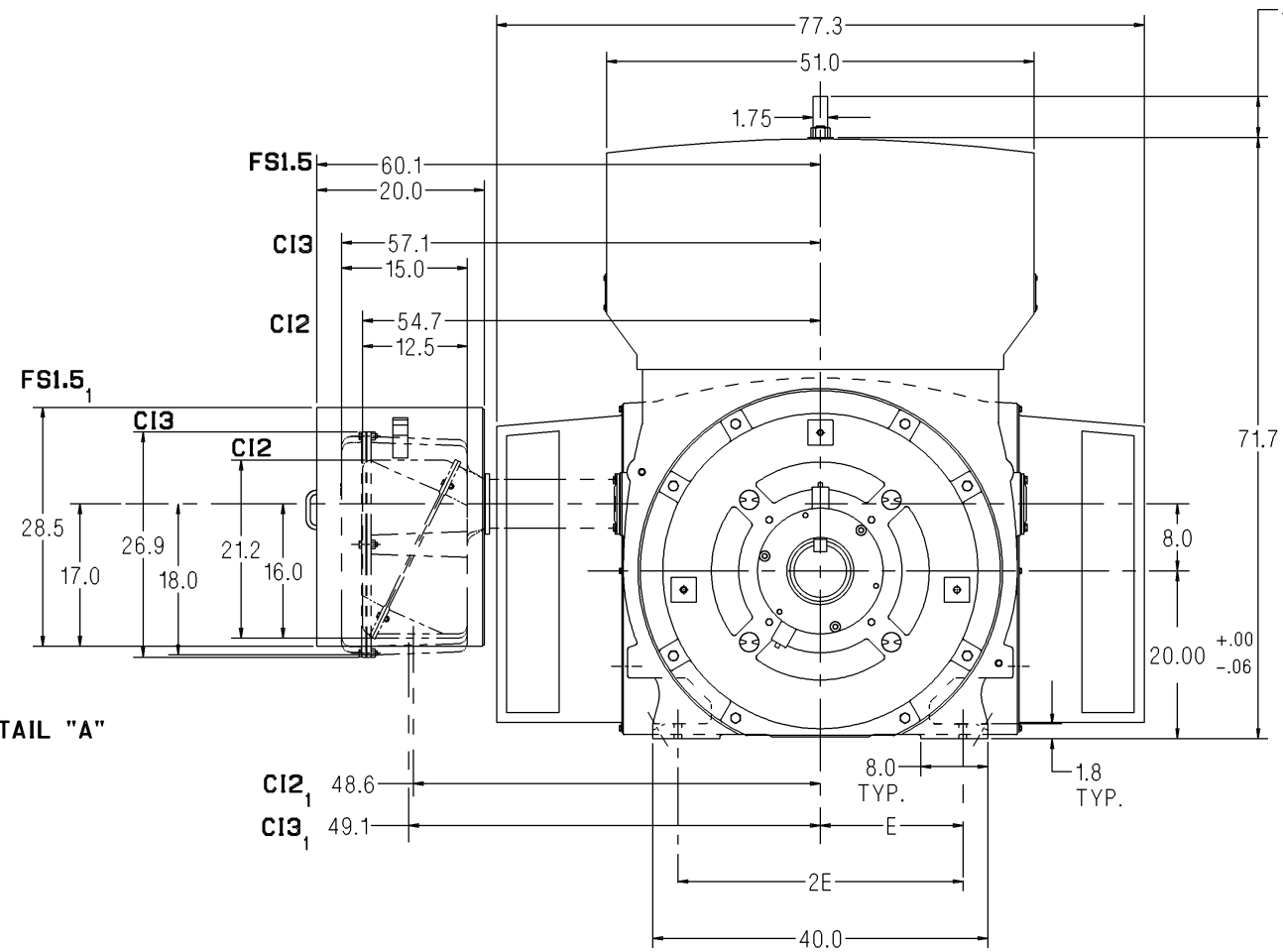
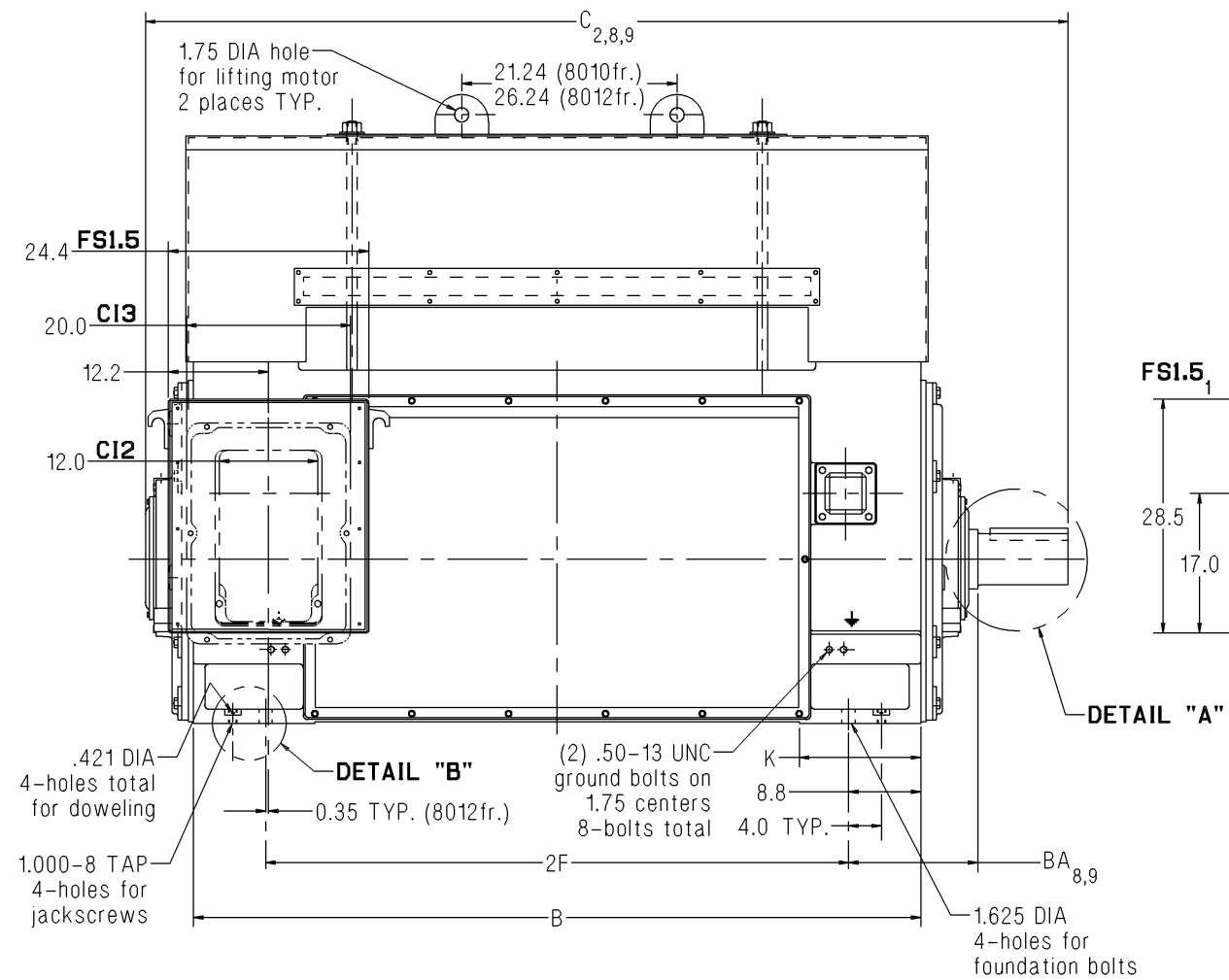


# SIEMENS

Dimension Prints for Above NEMA Motors

Type CG – Horizontal – Open Drip Proof / Weather Protected Type I  
Anti-Friction Bearing – Direct Connected  
Frames 8010 / 8012 – 4 & 6 Pole – Rotatable Main Conduit Box



**Notes:**

- Main conduit box may be rotated in steps of 90°. A removable bottom plate is supplied on the FS1.5 conduit box. A 5.0 N.P.T. is supplied on the CI2 and CI3 conduit boxes. A 16.0" spacer is supplied on both frames for all rotatable conduit boxes.
- C = Length of motor from drive end of shaft to end of non-drive end of motor.
- $V = (N-W) - 0.25$  = length of shaft available for coupling.
- Machines may rotate in either direction.
- Shims may be necessary under motor feet for direct connection.
- Short shaft is for direct connection.
- Adding a rotating labyrinth seal to the drive end decreases N by:  
4 Pole: 0.52" 6 Pole: 0.52"
- Adding a ground brush increases BA and C by:  
4 Pole: 2.50" 6 Pole: 2.50"
- Adding a ground brush with rotating labyrinth seal increases BA and C by:  
4 Pole: 2.75" 6 Pole: 2.75"

**Standard Dimensions in Inches**

Shaft	Frame	Speed	B	BA <sub>8,9</sub>	C <sub>2,8,9</sub>	E	2F	K	N <sub>7</sub>	(N-W)	R	S	U	V <sub>3</sub>	ES	Approx. Ship Wt. (Lbs)
Short	8010	4 Pole	73.6	15.75	97.4	17.0	56.0	13.3	12.10	11.0	5.408	1.50	6.250	10.75	9.5	19600
Short	8010	6 Pole	73.6	15.75	97.4	17.0	56.0	13.3	12.10	11.0	5.408	1.50	6.250	10.75	9.5	19600
Short	8012	6 Pole	88.6	15.75	112.4	17.0	71.0	14.8	12.10	11.0	5.408	1.50	6.250	10.75	9.5	23700

**Certification:** Customer \_\_\_\_\_ P.O. \_\_\_\_\_ S.O. \_\_\_\_\_ Item \_\_\_\_\_  
 HP \_\_\_\_\_ RPM \_\_\_\_\_ Frame \_\_\_\_\_ PH/HZ/Volts 3/\_\_\_\_\_/\_\_\_\_\_  
 By \_\_\_\_\_ Date \_\_\_\_\_ Terminal Box Size CI2  CI3  FS1.5   
 Comments \_\_\_\_\_  
 Not for construction, installation or application purposes unless certified.

CG\_800\_4-6PL\_AF\_ROT  
Revision 01  
01/26/09