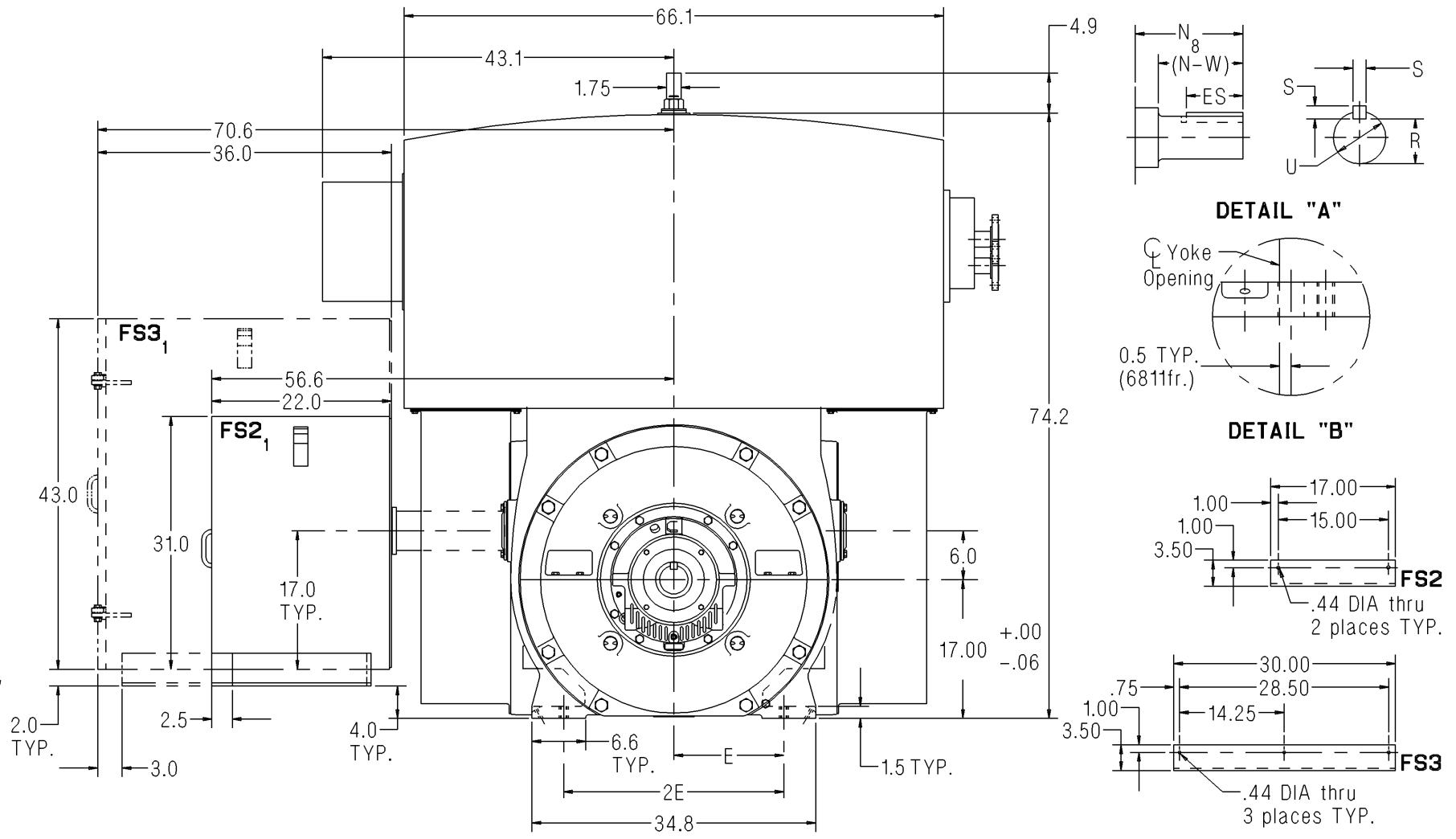
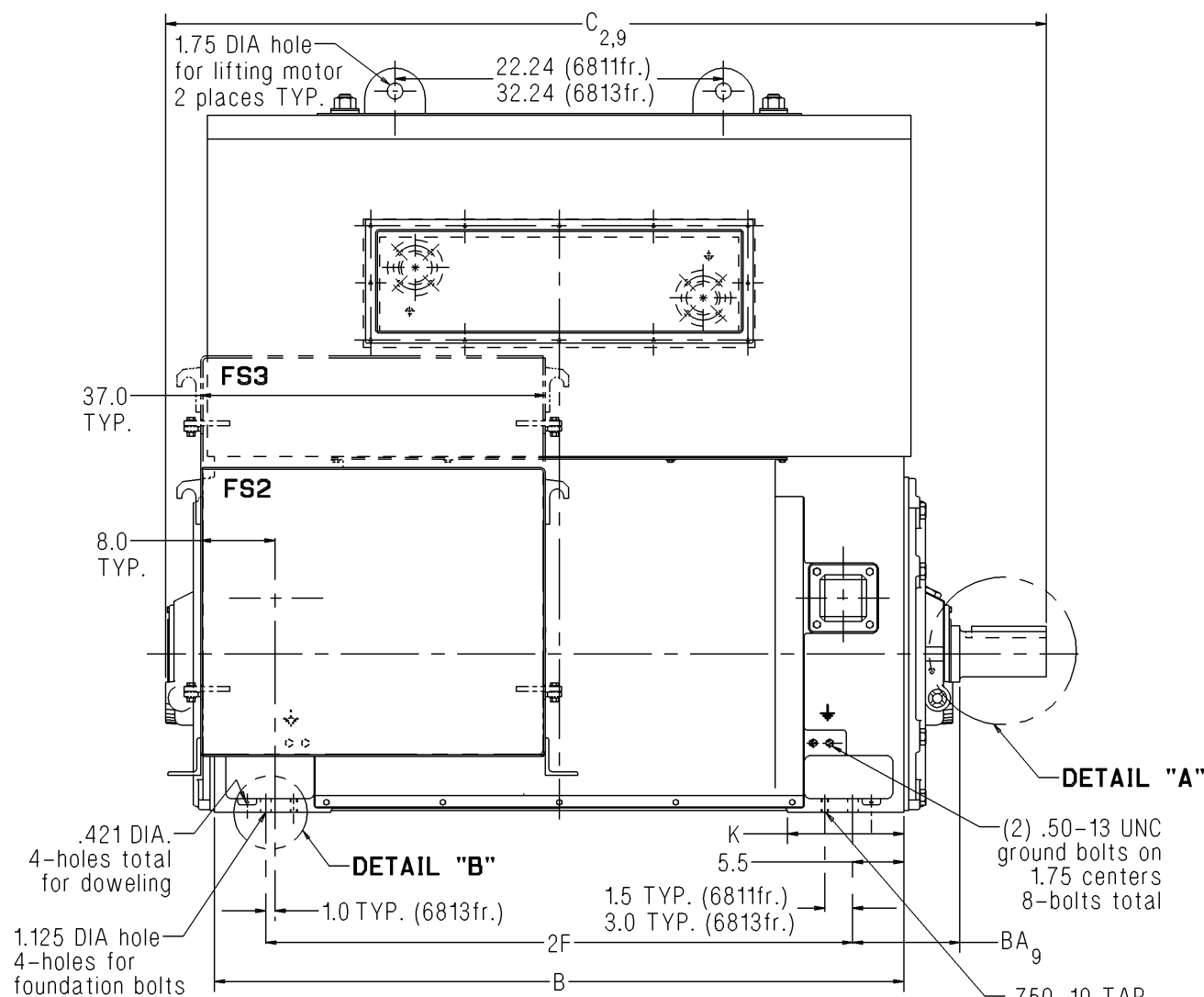


Dimension Prints for Above NEMA Motors



BOX FEET DIMENSIONS

Lubrication Per Bearing	
2 Pole	4 Pole & Slower
140-160 SUS @ 100°F	290-350 SUS @ 100°F
3.0 qt. capacity	3.0 qt. capacity

Notes:

- Main conduit box is free standing and must be supported from below by customer. Main conduit box is not level with motor feet. A removable bottom plate is supplied on the FS2 and FS3 conduit boxes. A 14.0" spacer is supplied on both frames for the FS2 and FS3 conduit boxes.
- C = Length of motor from drive end of shaft to end of non-drive end of motor.
- V = (N-W)-0.25" = length of shaft available for coupling.
- 2 Pole machines may rotate in one direction only.
- Shims may be necessary under motor feet for direct connection.
- Rotor end float = 0.5"
- End float of LEF coupling = 0.19"
- Adding a rotating labyrinth seal to the drive end decreases N by:
2 Pole: 0.80" 4 Pole: 0.80" 6 Pole & Slower: 0.80"
- When adding a ground brush, consult the factory. (BA and C will increase.)
- For motors equipped with provisions for proximity probes use this print for our standard internal mounting.

Standard Dimensions in Inches

Shaft	Frame	Speed	B	BA ₉	C _{2,9}	E	2F	K	N ₈	(N-W)	R	S	U	V ₃	ES	Approx. Ship Wt. (Lbs)
Short	6811	2 Pole	61.0	11.50	79.0	13.50	50.0	11.0	7.97	7.00	3.007	0.875	3.500	6.75	5.75	12300
Short	6811	4 Pole	61.0	11.50	81.3	13.50	50.0	11.0	10.22	9.25	4.169	1.250	4.875	9.00	8.00	13100
Short	6811	6 Pole & Slower	61.0	11.50	81.3	13.50	50.0	11.0	10.22	9.25	4.676	1.250	5.375	9.00	8.00	12900
Short	6813	2 Pole	74.0	11.50	92.0	13.50	63.0	12.5	7.97	7.00	3.007	0.875	3.500	6.75	5.75	15100
Short	6813	4 Pole	74.0	11.50	94.3	13.50	63.0	12.5	10.22	9.25	4.169	1.250	4.875	9.00	8.00	15900
Short	6813	6 Pole & Slower	74.0	11.50	94.3	13.50	63.0	12.5	10.22	9.25	4.676	1.250	5.375	9.00	8.00	15400

Certification: Customer _____ P.O. _____ S.O. _____ Item _____
 HP _____ RPM _____ Frame _____ PH/HZ/Volts 3/_____/_____
 By _____ Date _____ Terminal Box Size FS2 FS3
 Comments _____
 Not for construction, installation or application purposes unless certified.