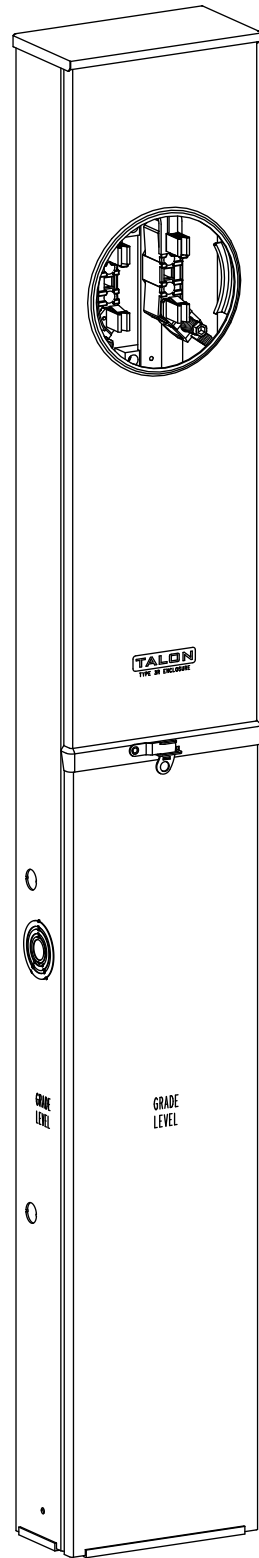


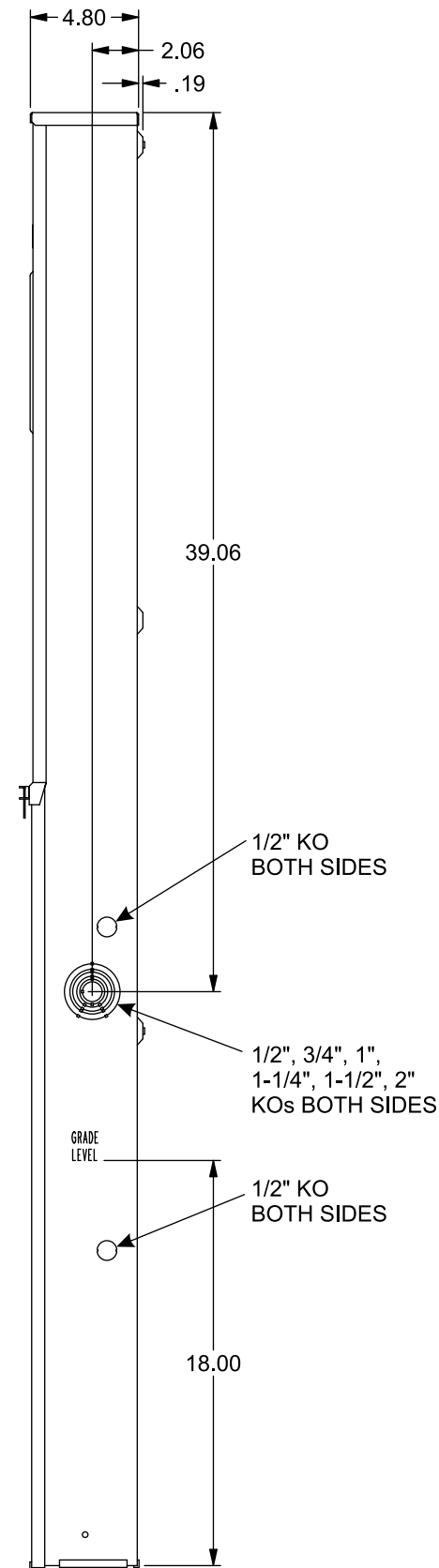
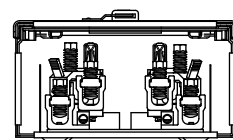
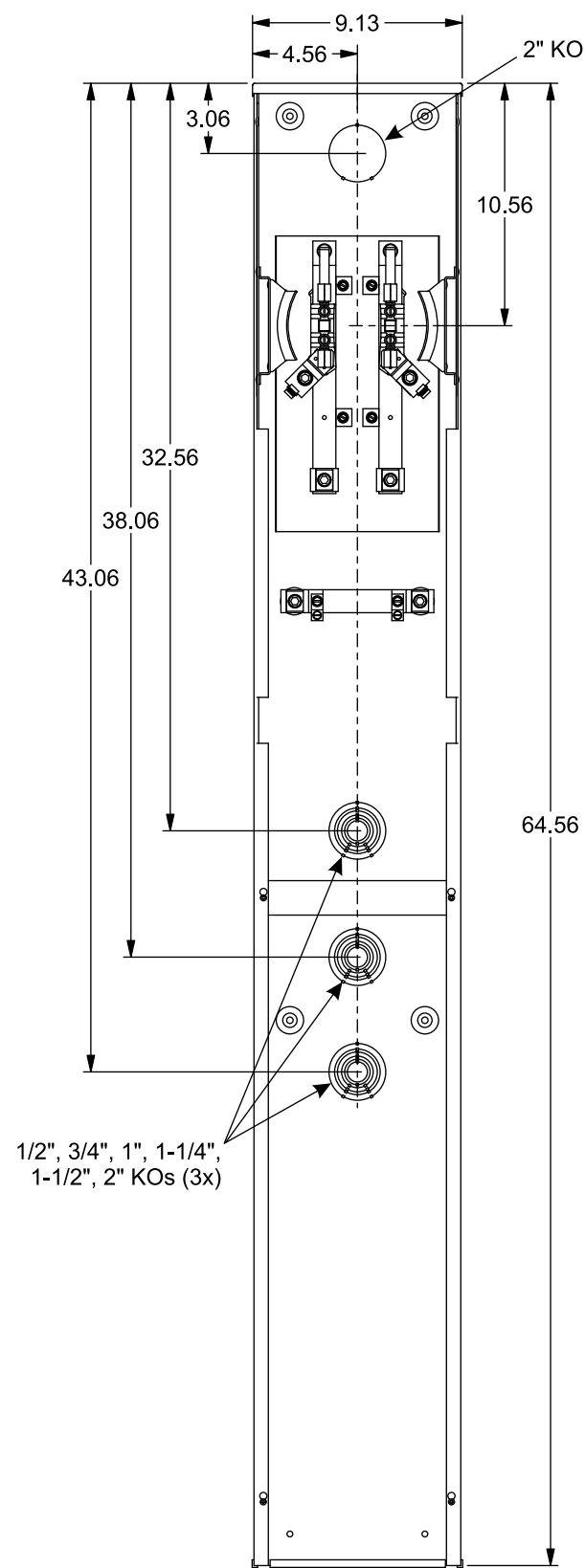
Catalog Number: UAP317-PPWI

Features and Ratings

- Ringless Type Meter Socket
- 200A Continuous Rating
- 1 Phase, 3 Wire, 600V AC Max.
- 4 Jaw Meter Socket
- Horn Bypass
- Meter Socket Type UAP-3
- Pedestal Type Unit
- Underground Service Only



View Shown without Covers



Recommended or Installed Lugs/Terminals

CONNECTOR	WIRE SIZE	TORQUE
LINE, LOAD, NEUTRAL	#6-350MCM Lay-In	250 IN.-LBS.
GROUND	#14-2/0 AWG	50 IN.-LBS.

TORQUE CONNECTOR NUTS 250-350 IN.-LBS.

THIS DEVICE INTENDED FOR USE WITH ADDITIONAL MOUNTING SUPPORT.

Accessories

Meter Opening Cover Plate
Cat No: H659-0162

5th Jaw Kit
Cat. No: 659-0121

© 2017 Copyright Siemens Industry, Inc.

TALON

Meter Socket Pedestal

Description: **200A Cont, 4 Jaw, Horn Bypass, Ringless UAP-3, UG, 600V AC**

KAM 3/27/17 | DO NOT SCALE DRAWING | Dwg No: **UAP317-PPWI**