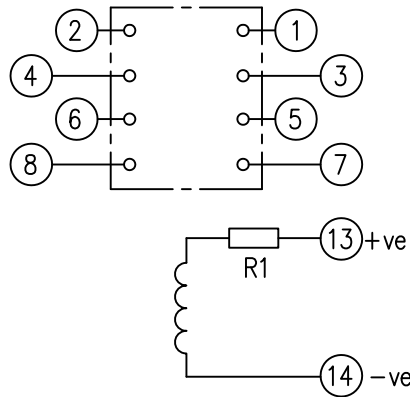


CONTACT CONFIG.	OUTPUT CONTACT PAIR / TERMINAL No.							
	1-3	2-4	5-7	6-8				
4M	M	M	M	M				
2M 2B	B	B	M	M				
4B	B	B	B	B				

2651W50003

LOOKING ON FRONT OF RELAY



NOT SUBJECT TO UPDATE  
ONCE COPIED / PRINTED  
OR DOWNLOADED

**KEY**

- make contact
- break contact
- c/o contact
- ext. conn plug bridge
- shorting
- metering point
- 5Kv barrier
- test socket - shorting
- plug & socket

**NOTE:**

1. FOR CONTACTS NOT SHOWN AS EITHER MAKE OR BREAK SEE TABLE.
2. RESISTOR R1 TO BE FITTED AS REQUIRED.

**FRAME REFERENCE E2FS03**

**FRAME TERMINAL BLOCK ASSY: -**

ASSEMBLY INSTRUCTIONS: -  
TYPICAL ASSEMBLY DRAWING 2995G10032.  
AT INDICATED POSITIONS FIT AS FOLLOWS,  
T - FIT TRIP ISOLATION CONTACT 2995B10053.  
S - FIT STANDARD CONTACT 2995B10054.  
SECURE CONTACTS USING FIXING SCREW 2109F99009.  
POSITIONS SHOWN BLANK ARE UNUSED.

2	T	T	1
4	T	T	3
6	T	T	5
8	T	T	7
10			9
12			11
14	S	S	13
16			15
18			17
20			19
22			21
24			23
26			25
28			27

VIEW FROM NUMBERED SIDE OF BLOCK

**OUTER TERMINAL BLOCK ASSY: -**

**ASSEMBLY INSTRUCTIONS: -**

TYPICAL ASSEMBLY DRAWING 2995G10029.  
AT INDICATED POSITIONS FIT AS FOLLOWS,  
S - FIT STANDARD CONTACT 2995B10051  
HC - FIT 'HEAVY CURRENT' KIT 2995G10030.  
WHERE IS SHOWN FIT CT SHORTING KIT 2995G10031  
POSITIONS SHOWN BLANK ARE UNUSED  
ALL POSITIONS FIT SCREW 2106F12506

2	S	S	1
4	S	S	3
6	S	S	5
8	S	S	7
10			9
12			11
14	S	S	13
16			15
18			17
20			19
22			21
24			23
26			25
28			27

VIEW FROM INSIDE FACE

Copyright © 2000 VA TECH Reyrolle Ltd. Hebburn

2	10/04/00	MN995/09	Title: T.B. AND WIRING DIAGRAM FOR B74 SUP. REC. REPEAT RELAY IN EPSILON E2 CASE.		First used on:
			VA TECH Reyrolle AUTOMATION, CONTROL & PROTECTION		Similar Articles:
ISSUE	DATE	MOD.No.	Original Scale:		Supersedes:
DRAWN: T.CARR	CHECKED:	APPROVED: R.D.WATSON	DATE: 15/07/02	IE:	Ops:
					Drg.No. <b>2651W50003</b>