

Catalog Numbers, Features and Ratings

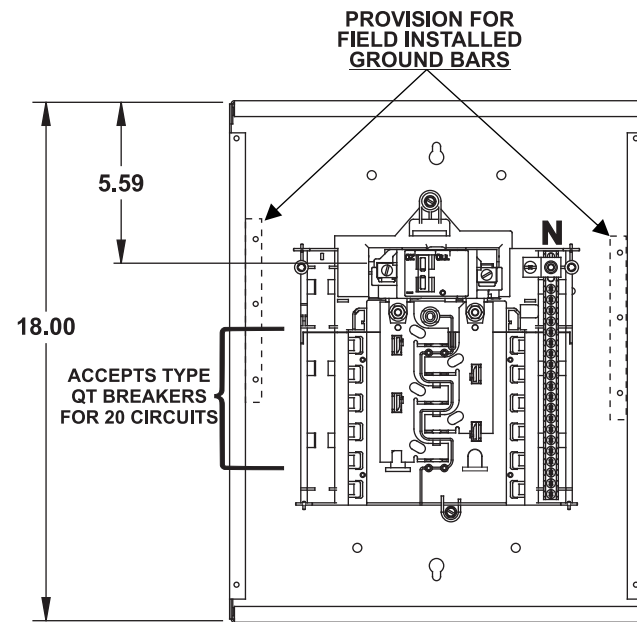
- 1 PHASE, 3 WIRE, 120/240V ~
- 22K AIC MAIN BREAKER FACTORY INSTALLED
(SEE WIRING DIAGRAM FOR DETAILS)
- CONVERTIBLE TO MAIN LUG
- INVERTIBLE
- TYPE N1 INDOOR ENCLOSURE
- ANSI 61 GRAY POWDER COATED ENCLOSURE
(SEE CHART FOR TRIM/DOOR COLOR)



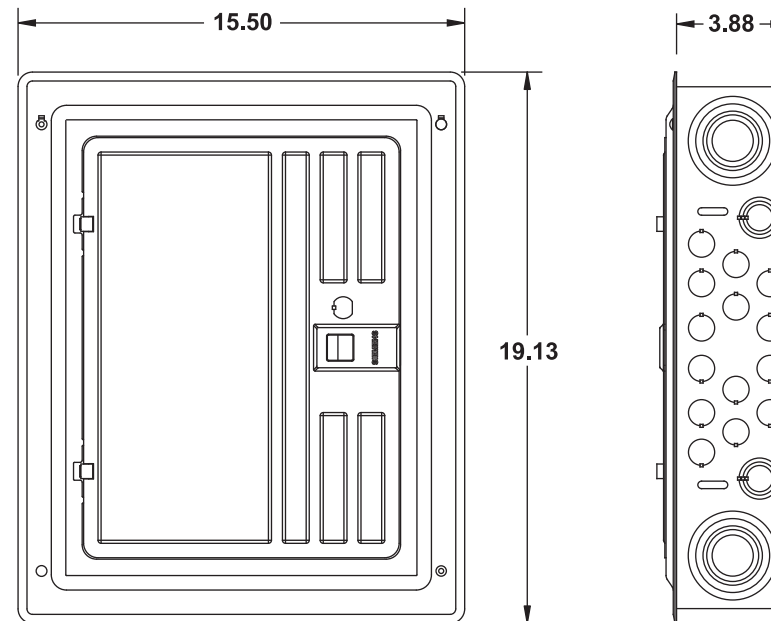
| Catalog Number | ENCLOSURE DIMS | | | Amps Max | Number Spaces | Number Circuits | Bus Bar Material | Bus Bar Plating | Percent Neutrals | Trim Color |
|----------------|----------------|-------|------|----------|---------------|-----------------|------------------|-----------------|------------------|------------|
| | L | W | D | | | | | | | |
| S1020B1100 | 18.00 | 14.25 | 3.88 | 100 | 10 | 20 | Aluminum | Tin Plated | 100% | Gray |

S1020B1100

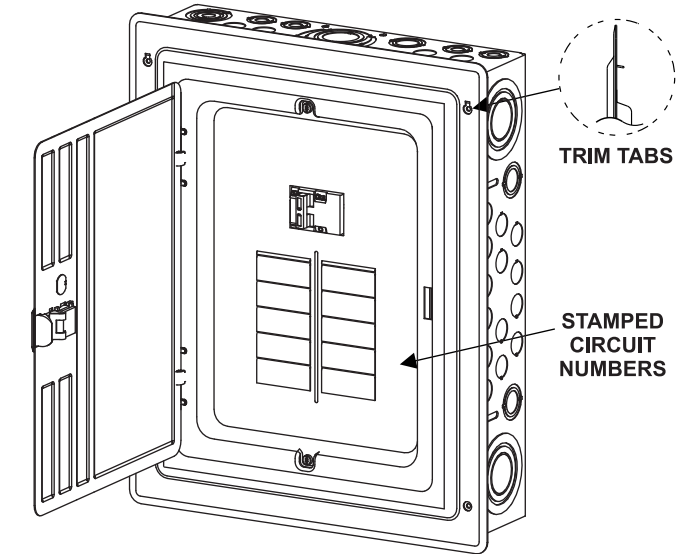
Shown with Trim Removed



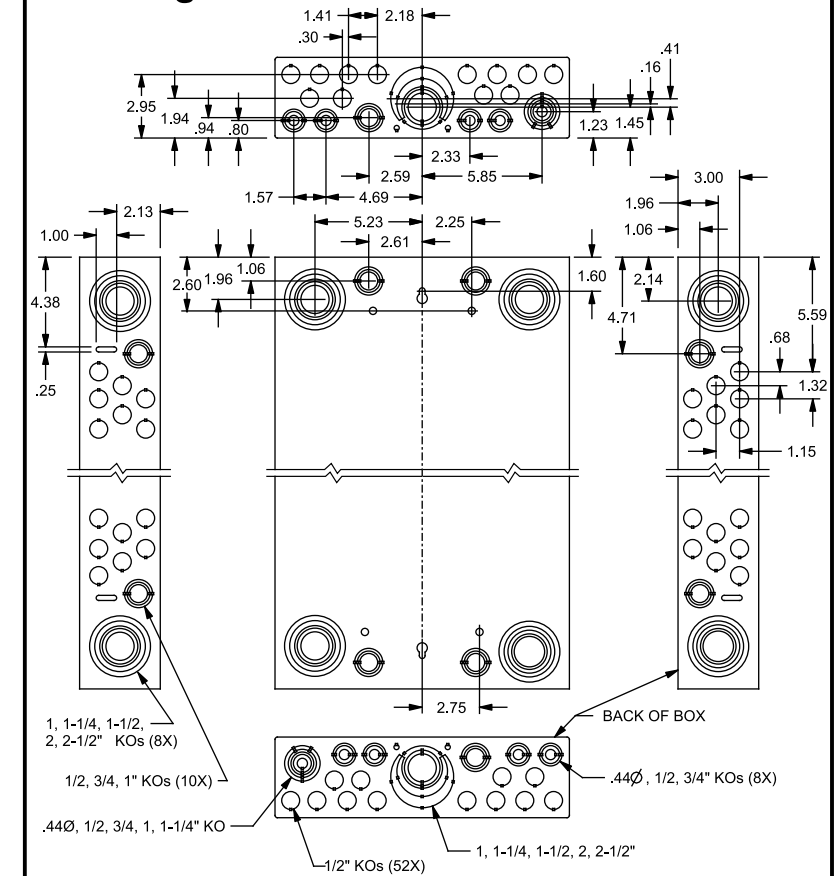
Shown with Trim Installed



Trim/Door Detail



KO Diagram



TERMINAL WIRE SIZES AND TORQUES

USE COPPER OR ALUMINUM 60°/75°C WIRE
SEE BREAKER MARKINGS FOR WIRE SIZE AND TORQUE REQUIREMENTS

| TERMINALS | WIRE | TORQUE |
|---|---------------------------------------|----------------------------------|
| N | 1/0-4 AWG CU; 2/0-4 AWG AL | 110 LB-IN |
| MAIN BREAKER | 1/0 AWG CU; 3/0 AWG AL MAX. | See Breaker |
| NEUTRAL/GROUND BARS (USE TYPE EC1GB or EC2GB GND BAR KIT ACCESSORY) | 10-14 CU/10-12 AL 8 AWG 6-4 AWG | 20 LB-IN 25 LB-IN 35 LB-IN |
| GROUND CONDUCTORS ONLY | (2)or(3) 14 AWG (2) 12-10 AWG | 20 LB-IN 20 LB-IN |
| ECLK1-2 NEUTRAL LUG KIT | 2/0-2 AWG | 45 LB-IN |
| ECLK2 NEUTRAL LUG KIT | 2/0-4 AWG | 135 LB-IN |
| MAIN LUG/MAIN BRKR TO BUS CONNECTION (1/4-20 NUT) | | 45 LB-IN |
| BONDING SCREW | | 45 LB-IN |

ACCESSORIES

REFER TO WIRING DIAGRAM FOR
CORRECT ACCESSORY USAGE

| ACCESSORIES | |
|---------------------------|----------|
| DESCRIPTION | CAT. NO. |
| DOOR LOCK | ECQFL2 |
| FILLER PLATE, 1" | QF3 |
| BREAKER HOLD-DOWN | ECMBR2 |
| MAIN BREAKER FILLER PLATE | ECMBF125 |
| BONDABLE GROUND LUG | ECLKB1 |
| SUBFEED LUG KIT | ECLK2125 |
| STANDBY PWR INTERLOCK KIT | ECSPK04 |

| MAIN LUG / MAIN BREAKER KITS | |
|--|----------|
| USE APPROPRIATE KIT FROM CHART BELOW TO CONVERT PANEL | |
| DESCRIPTION | CAT. NO. |
| 100 AMP MAIN BREAKER | MBK100A |
| 100-125 AMP MAIN LUG | ECMLK125 |

© 2016 Copyright Siemens Industry, Inc.

SIEMENS
Siemens Industry, Inc.

ES Series Load Centers™

Description: **1 Phase, Indoor,
10 Position, Main Breaker Cut Sheet**

KAM 9/1/16 DO NOT SCALE DRAWING Dwg No: **1IN 10 ES MB**