

Nut Keeper Plate

Placa terminal para fijación de conexiones

Connection par vis

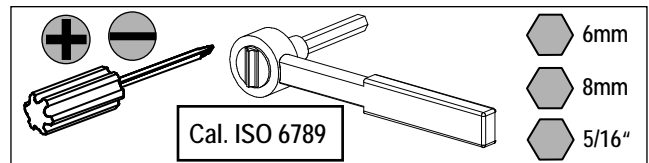
U.S. Cat. No.	Euro Order No.	U.S. Cat. No.	Euro Order No.
Item: TMKJE3	3VL9400-4TA51	TMKJ	3VL9400-4TA01
TMKLE3	3VL9460-4TA51	TMKJ_	3VL9400-4TA_1
		TMKL	3VL9460-4TA01
		TMKL_	3VL9460-4TA_1
		TNKL	3VL9460-4TB01
		TNKL_	3VL9460-4TB_1

For Use With Frame JG, LG
Para Usar Con Caja Base JG, LG

Installation Instructions / Instructivo de Instalación

	 Danger	 Peligro	 Danger!
	Hazardous Voltage Will cause death or serious injury Turn off and lock out all power supplying this device before working on this device. Replace all covers before power supplying this device is turned on.	Tensión peligrosa. Puede causar la muerte o lesiones graves. Desenergice totalmente antes de instalar o darle servicio. Reemplace todas las barreras y cubiertas antes de energizar el interruptor.	Tension dangereuse. Danger de mort ou risque de blessures graves. Couper l'alimentation de l'appareil et barrer avant de travailler. Remplacez tous les couverts avant que l'alimentation de pouvoir soit alimentée.

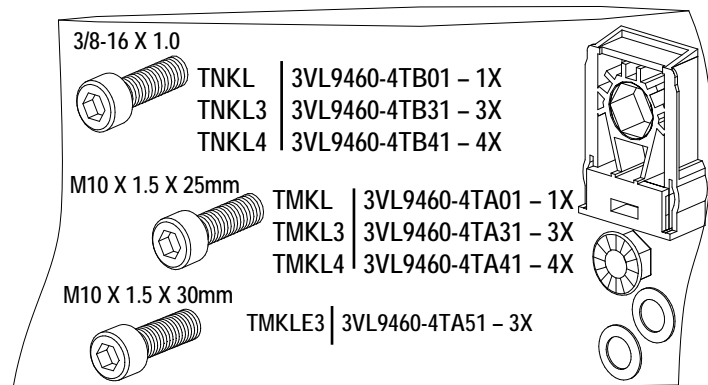
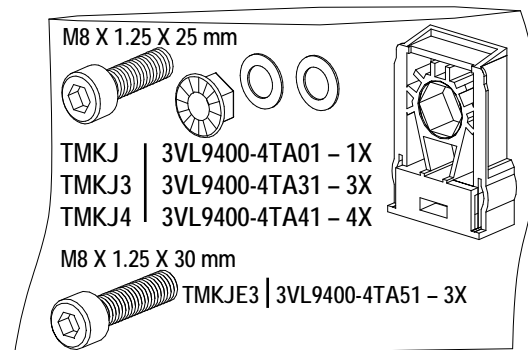
Use only with Siemens certified Components.
Utilizar únicamente con componentes certificados de Siemens.
A utiliser uniquement avec les composants certifiés Siemens.

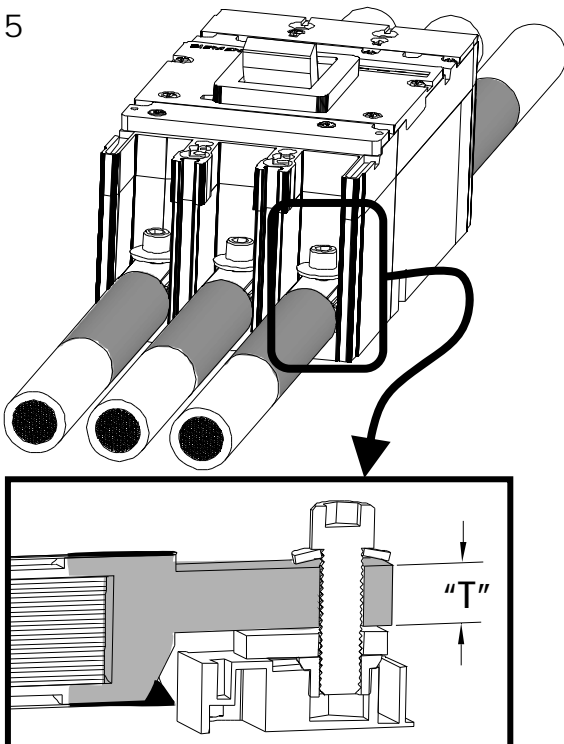
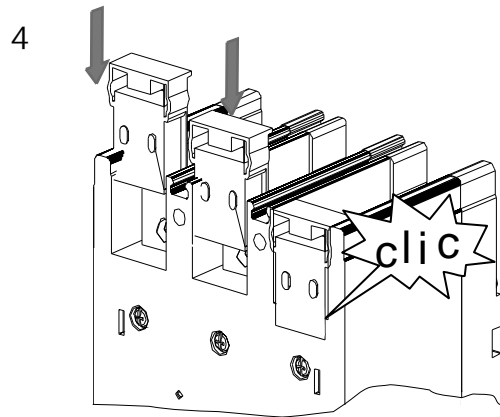
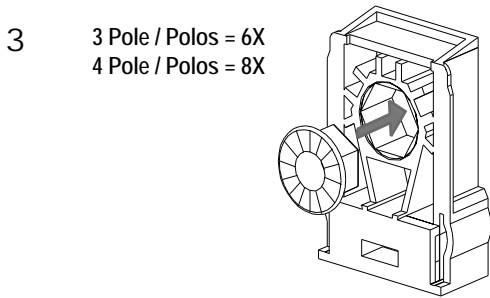
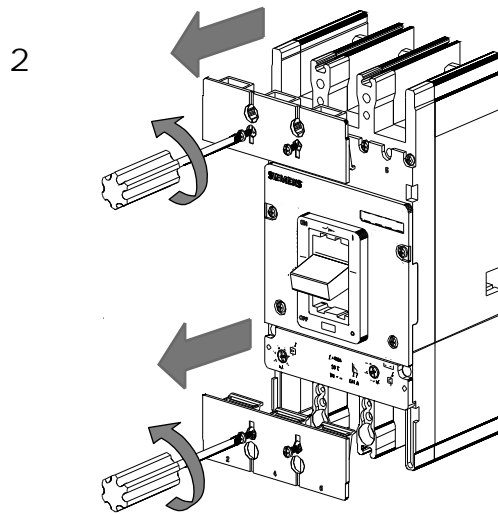
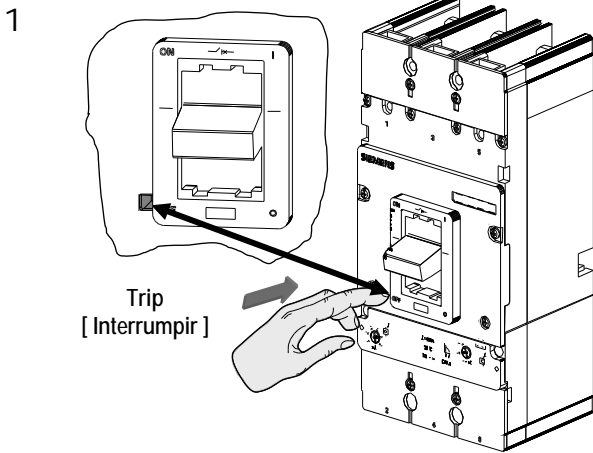


NOTE - These instructions do not purport to cover all details or variations in equipment, or to provide for every possible contingency to be met in connection with installation, operation or maintenance.

Should further information be desired or should particular problems arise, which are not covered sufficiently for the purchaser's purposes, the matter should be referred to the local Siemens sales office. The contents of this instruction manual shall not become part of or modify any prior or existing agreement, commitment or relationship. The sales contract contains the entire obligation of Siemens. The warranty contained in the contract between the parties is the sole warranty of Siemens. Any statements contained herein do not create new warranties or modify the existing warranty.

Trademarks - Unless otherwise noted, all names identified by ® are registered trademarks of Siemens AG or Siemens Industry, Inc. The remaining trademarks in this publication may be trademarks whose use by third parties for their own purposes could violate the rights of the owner.



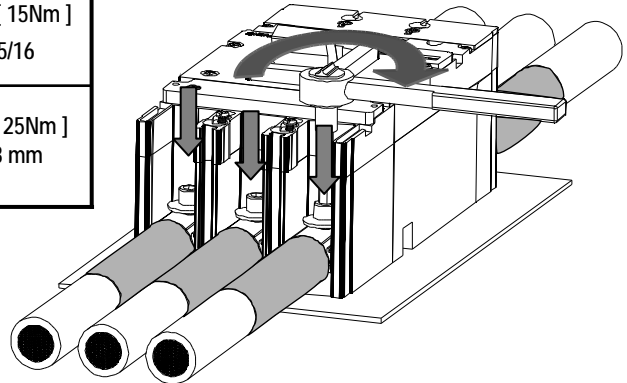


JG	T = .20 - .27 [5 - 7mm]	→		+		TMKJ / 3VL9400-4TA01 TMKJ3 / 3VL9400-4TA31
	T = .27 - .40 [7 - 10mm]	→		+		TMKJ4 / 3VL9400-4TA41 M8 X 1.25 X 25 mm
	T = .45 - .52 [11.4 - 13mm]	→		+		TMKJE3 / 3VL9400-4TA51 M8 X 1.25 X 30 mm
	T = .52 - .65 [13 - 16.5mm]	→		+		

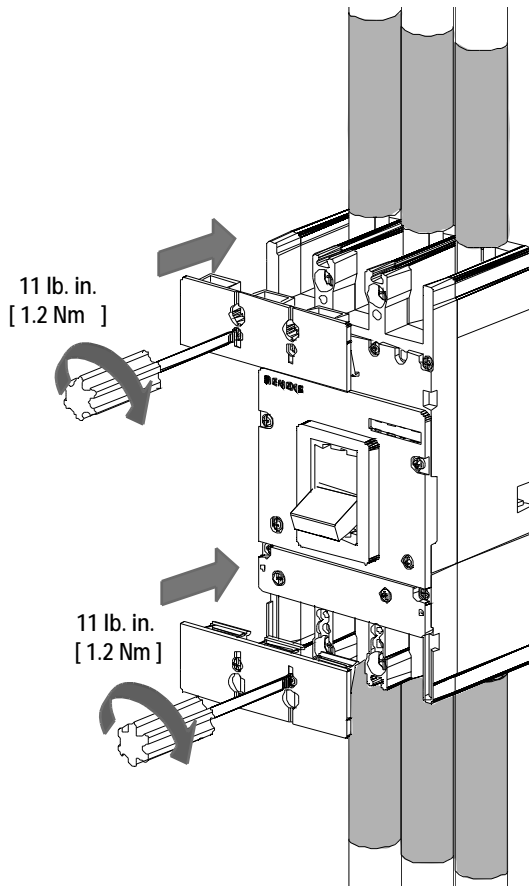
LG	T = .17 - .23 [4 - 6mm]	→		+		TNKL / 3VL9460-4TB01 TNKL3 / 3VL9460-4TB31 TNKL4 / 3VL9460-4TB41 3/8-16 X 1.0
	T = .23 - .34 [6 - 9mm]	→		+		TMKL / 3VL9460-4TA01 TMKL3 / 3VL9460-4TA31 TMKL4 / 3VL9460-4TA41 M10 X 1.5 X 25mm
	T = .42 - .48 [11 - 12mm]	→		+		TMKLE3 / 3VL9460-4TA51 M10 X 1.5 X 30mm
	T = .48 - .59 [12 - 15mm]	→		+		

6

Frame [Caja]	Catalog No. [Numero de Catalogo]	Screw [tornillo]	Screw Torque [esfuerzo de torsión del tornillo]
JG	TMKJ 3VL9400-4TA01	M8 X 1.25 X 25mm	133 lb. in. [15Nm] 6 mm
	TMKJ3 3VL9400-4TA31		
	TMKJ4 3VL9400-4TA41	M8 X 1.25 X 30mm	
	TMKJE3 3VL9400-4TA51		
LG	TNKL 3VL9460-4TB01	3/8-16 X 1.00	133 lb. in. [15Nm] 5/16
	TNKL3 3VL9460-4TB31		
	TNKL4 3VL9460-4TB41		
	TMKL 3VL9460-4TA01	M10 x 1.5 x 25mm	222 lb. in. [25Nm] 8 mm
	TMKL3 3VL9460-4TA31		
	TMKL4 3VL9460-4TA41		
TMKLE3 3VL9460-4TA51	M10 x 1.5 x 30mm		



7



For Support in Europe refer to :

Bestell-Nr. / Order No.: 3ZX1012-0VL68-5AA8

Internet: www.siemens.de/lowvoltage/technical-assistance

GWA 4NEB 179 6879-10 DS 04

Technical Support:

Toll Free: 1-800-241-4453

Internet: www.usa.siemens.com/powerdistribution

Subject to change without prior notice
Siemens Industry, Inc., Norcross, GA 30092 U.S.A.