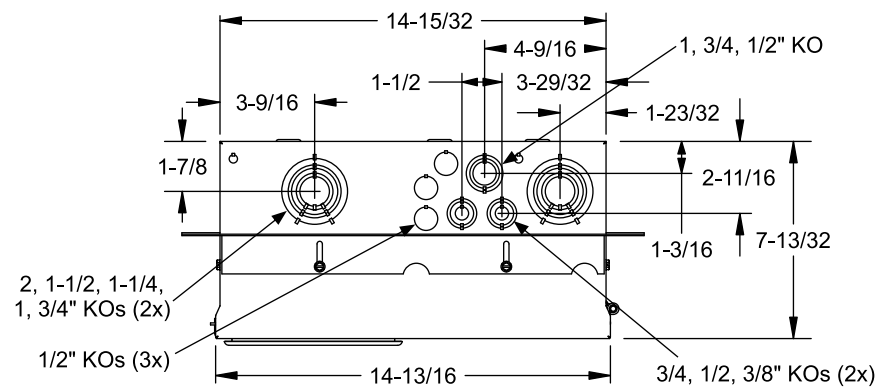


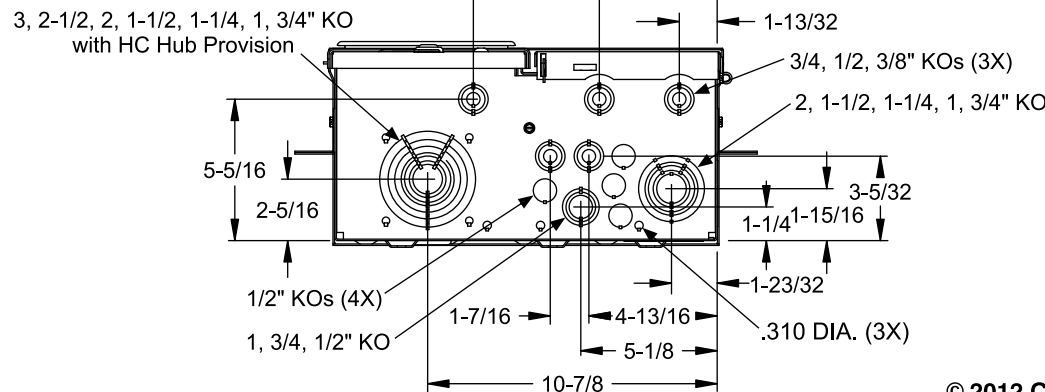
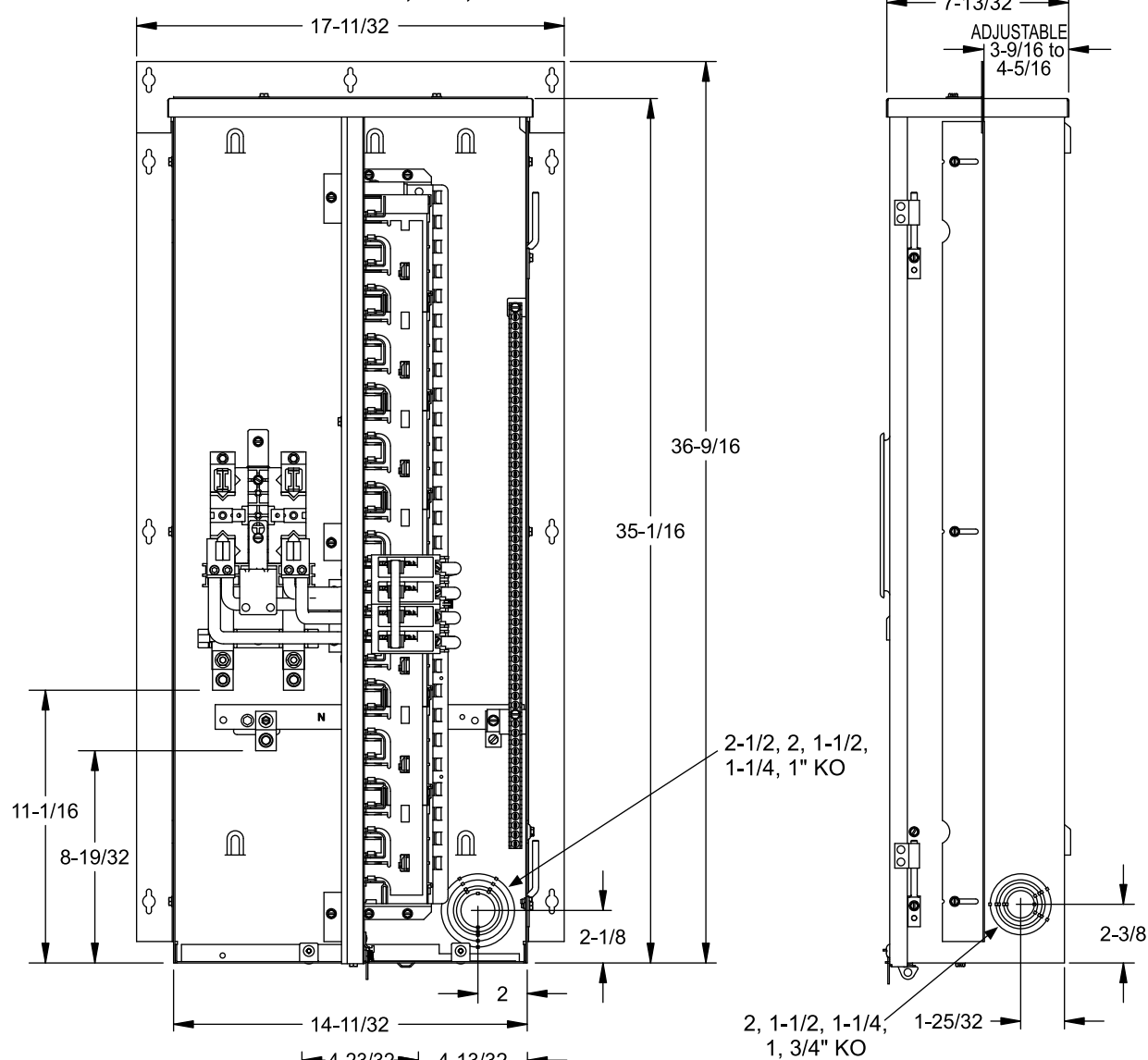
Catalog Number	Main Breaker
MC2442B1200EFC	200A Breaker Factory Installed
MC2442B1225EFC	225A Breaker Factory Installed

Features and Ratings

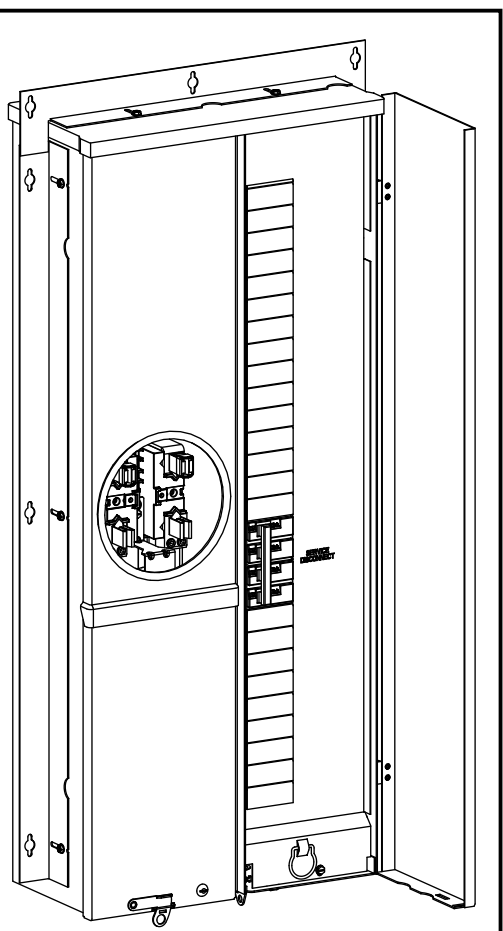
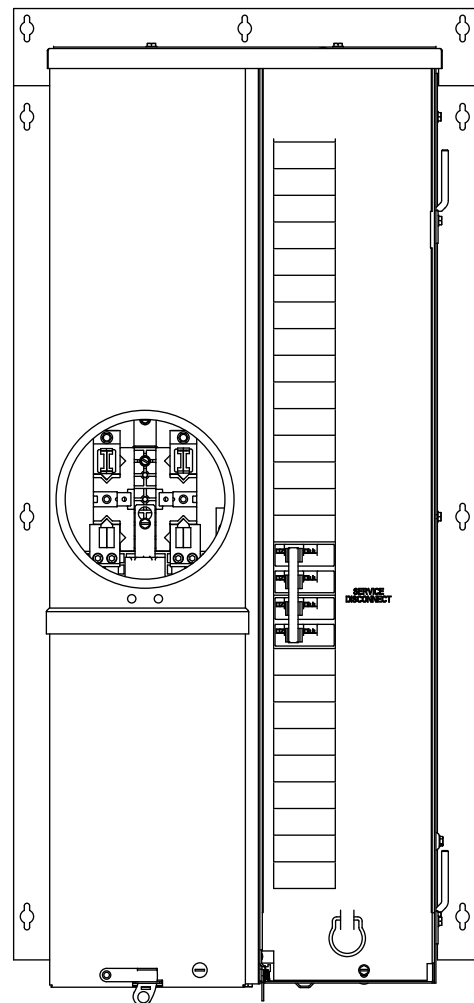
- Outdoor Enclosure (NEMA Type 3R)
- Ring Type Meter Cover
- Meter Socket Rating: 200A Continuous
- 1 Phase, 3 Wire, 120/240V~, 120/208V~
- 22,000 AIC Max. Rated (See Wiring Diagram for Details)
- (24) 1" Spaces, (42) Circuits Max.
- Copper Bus Bars
- Overhead or Underground Service Entrance
- Flush Mounting
- Complies with EUSERC Dwg. No. 301



View Shown Without Covers, Door, Deadfront



View Shown Without Door

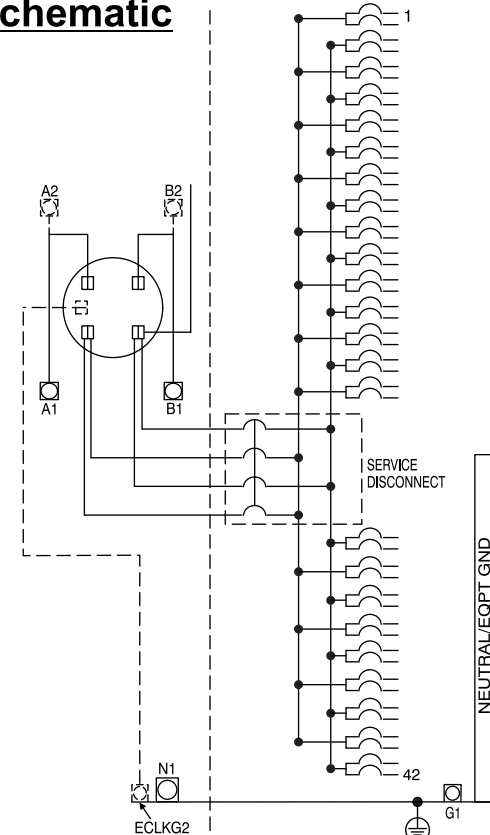


Accessories

Trade size (in)	Catalog number	Accessories	Cat. No.
HC Type Hub (bottom endwall)			
2"	EHC200	Filler Plate	ECQF3
2 1/2"	EHC250	5" Jaw Assembly	EMC5J
3"	EHC300	Mechanical Interlock	ECQML12
		Meter Socket Jumper	ECJS
		Interlock Kit	ECSBPk02

Lug Kit	Wire Range	Torque
ECLKG2	2/0 - #14	50 lb in

Schematic



Any 80-125 Amp circuit breaker must be installed in the lowest position in the branch panel. All other positions are limited to 70 Amp maximum circuit breakers.

Terminal	Wire Size	Torque
A1, B1, A2, B2	250kcmil - #4	250 lb-in
N1	250kcmil - #4	250 lb-in
G1	2/0 - #14	50 lb-in
Branch Breaker Terminals	See Markings on Breaker	
Neutral/Equipment Ground	#10 - #14 CU	20 lb-in
	#10 - #12 AL	20 lb-in
	#8	25 lb-in
Ground Conductors Only	#6 - #4	35 lb-in
	(2) or (3) #14 AWG	20 lb-in
	(2) #12-#10 AWG	20 lb-in

Line terminals A1 and B1 are installed for underground service entry as shown in the wiring diagram. For overhead entry, service bus may be repositioned.

SIEMENS
Siemens Industry, Inc.

Meter Load Center Combination

Description:
200/225A, 24 Sp/42 Ckt, OH/UG, Flush Mount

KAM 10/4/12 Fam G DO NOT SCALE DRAWING Dwg. No. **MC2442B12xxEFC**